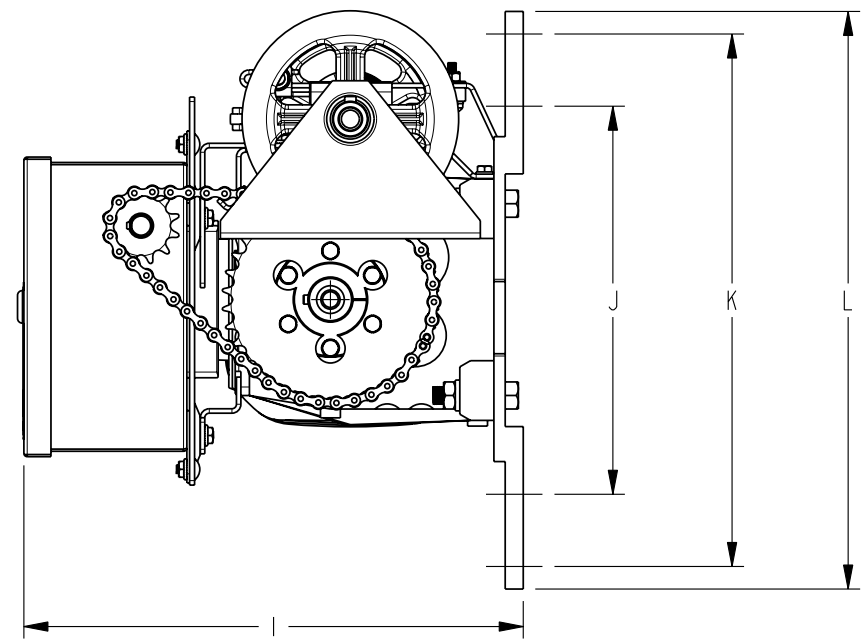


	R37	R47	R57	R67
A	29.125 [740]	30.250 [769]	31.125 [791]	32.000 [813]
B	3.875 [98]	4.750 [121]	4.875 [124]	5.125 [130]
C	16.125 [410]	16.375 [416]	16.875 [429]	16.375 [416]
D	6.500 [165]	6.500 [165]	6.500 [165]	8.125 [206]
E	6.500 [165]	7.375 [187]	7.750 [197]	7.500 [191]
F	4.875 [124]	5.500 [140]	5.875 [149]	7.500 [191]
G	0.875 [22]	1.125 [29]	1.500 [38]	1.000 [25]
H	0.625 [16]	1.125 [29]	-0.250 [-6]	0.500 [13]
I	13.125 [333]	14.000 [356]	14.000 [356]	15.625 [397]
J	10.750 [273]	10.750 [273]	10.750 [273]	12.250 [311]
K	14.750 [375]	14.750 [375]	14.750 [375]	16.250 [413]
L	16.000 [406]	16.000 [406]	16.000 [406]	17.500 [444]



**CAUTION**  
 DO NOT OPERATE THE OPENING COVER OR SERVICE  
 COVER WITHOUT PROTECTIVE DEVICES  
 SEE INSTALLATION AND INSTRUCTION MANUAL  
 FOR PROPER USE ONLY - NOT FOR RESIDENTIAL USE