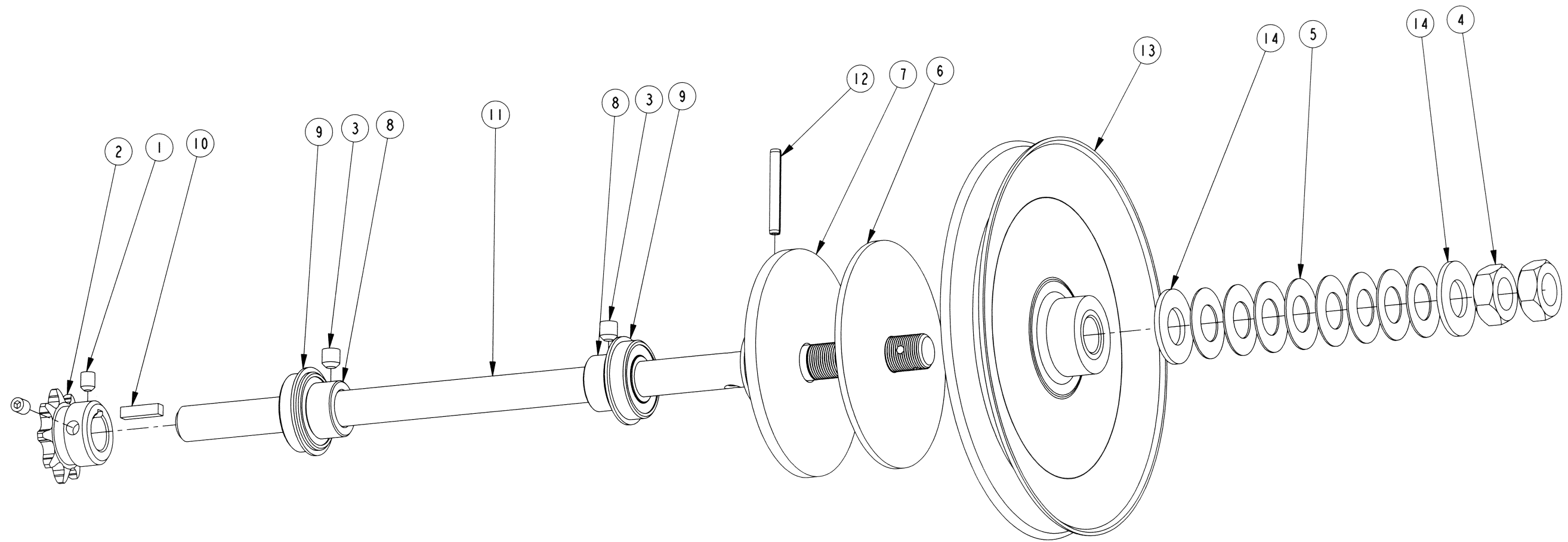


No	Qty	DESCRIPTION	# MANARAS	REV
1	2	1/4-20 X 5/16 SET SCREW	SCREW001	
2	1	41B9 X 5/8 K3/16 2S1/4-20 CR	SPR41B9X5/8	4
3	2	5/16-18 X 5/16 SET SCREW	SCREW003	
4	2	5/8-24 HEX JAM NUT ZP	NUT015	
5	8	BELLEVILLE WASHER (31.5X16.3X0.8)	WASHER035	
6	1	CL.PAD 5/8x4x0.125"	CLUTCHPAD005	3
7	1	CLUTCHPLATE 5/8	CLUTCHPLATE004	3
8	2	COLLAR 5/8"	COLLAR004	
9	2	FLANGED BEARING 5/8	BEARING006	
10	1	KEY 3/16 X 3/4	KW010	5
11	1	MTBH INPUT SHAFT 5/8-24X14-3/4	SHAFT080	
12	1	PIN SLOTTED SPRING 3/16 x 1.5	PIN007	
13	1	PULLEY 7" x 5/8" 5L/B	PULLEY020	5
14	2	TYPE A PLAIN WASHER 5/8 N ZP	WASHER014	



PART DESCRIPTION	
TROLLEY CLUTCH SHAFT KIT	
PART NUMBER MOUNTSHAFT007 (DRAWING003)	MANARAS-OPERA 136 ONEIDA DRIVE POINTE-CLAIRE, QC, H9R 1A8 TEL: 1-800-361-2260 FAX: 1-888-626-0606
DRAWN BY: J. PROULX	
DATE: 2010-08-04	
UPDATED BY: J. PROULX	
DATE: 2012-09-07	SHEET: 1 of 1

CONFIDENTIAL: THIS DRAWING AND/OR THE INFORMATION CONTAINED HEREIN IS AND REMAINS THE SOLE PROPERTY OF, AND IS PROPRIETARY TO, MANARAS-OPERA. THIS DRAWING AND/OR INFORMATION SHALL BE KEPT CONFIDENTIAL AND MAY NOT BE REPRODUCED, COPIED, MODIFIED, DISCLOSED, TRANSFERRED, OR MADE AVAILABLE TO OTHERS, EXCEPT WITH THE EXPRESS CONSENT OF MANARAS-OPERA. IT IS LOANED IN CONFIDENCE FOR MUTUAL ASSISTANCE PURPOSES ONLY. MANARAS-OPERA MAY AT ANY TIME, WRITTEN MODIFY THE DRAWING AND/OR INFORMATION CONTAINED HEREIN.