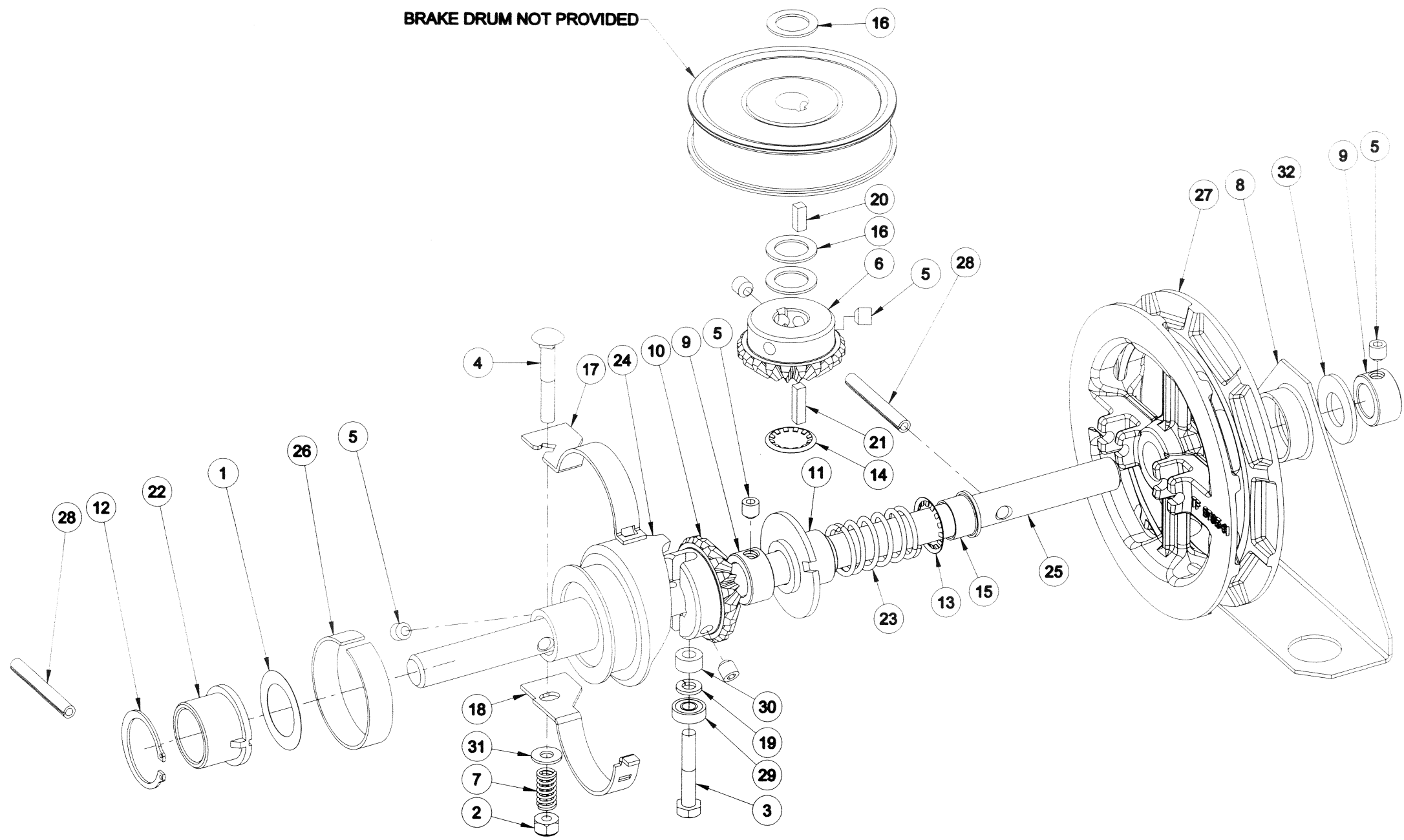


No	Qty	DESCRIPTION	# MANARAS	REV
1	1	1" IDx1 1/2" OD X 0.010" THK	SPACER016	
2	1	1/4-20 HEX NYLON LOCK NUT ZP	NUT020	
3	1	1/4-20 X 1-1/2 HEX BOLT	BOLT099	
4	1	1/4-20 X 1-3/4 RND HD SQ NECK BOLT	BOLT094	
5	6	5/16-18 X 5/16 SET SCREW	SCREW003	
6	1	BEVEL GEAR GH MGH 5/8 20TH	GEAR001	2
7	1	CAM GUIDE PLATE SPRING C260047	SPRING001	
8	1	CHAIN GUIDE OPERA	GUIDE014	1
9	2	COLLAR 5/8"	COLLAR004	
10	1	DISCONNECT BEVEL GEAR 5/8 20TH	GEAR014	
11	1	DISCONNECT COUPLING	COUPLING016	
12	1	EXT. RETAINING RING 1.313"	CLIP019	
13	1	EXTERNAL 3/4 RETAINING RING	CLIP006	
14	1	EXTERNAL 5/8 RETAINING RING	CLIP024	
15	1	FLANGE BUSHING 5/8-3/4-1/2	BUSHING002	
16	3	FLT WASHER 5/8 (.630X.955X.047) ZP	WASHER018	
17	1	FRICITION SHOE FEMALE	SHOE012	1
18	1	FRICITION SHOE MALE	SHOE013	2
19	1	HELICAL SPRING LOCK WASHER 1/4 ZP	WASHER026	
20	1	KEY 3/16 X 1/2	KW031	5
21	1	KEY 3/16 X 3/4	KW010	5
22	1	LOCKING LUG BUSHING 1" I.D	BUSHING060	
23	1	MJ DISCONNECT HOIST SPRING	SPRING012	
24	1	OGH CAM DISCONNECT	CAM014	
25	1	OGH HOIST SHAFT	SHAFT115	2
26	1	OPERA DISCONNECT FRICTION BAND	SHOE011	
27	1	OPERA POCKETWHEEL	POCKETWHEEL005	1
28	2	PIN SLOTTED SPRING 1/4 x 2	PIN011	
29	1	SEALED BEARING 1/4 - 5/8 - 3/16	BEARING043	
30	1	SPACER 1/2 x 0.26 x 1/4 NYLON	SPACER014	
31	1	TYPE A PLAIN WASHER 3/16 ZP	WASHER003	
32	1	TYPE A PLAIN WASHER 5/8 N ZP	WASHER014	

BRAKE DRUM NOT PROVIDED



PART DESCRIPTION	
OGH HOIST SHAFT KIT	
PART NUMBER	MANARAS-OPERA
MOUNTSHAFT015 (DRAWING016)	136 ONEIDA DRIVE
DRAWN BY: J. PROULX	POINTE-CLAIRE, QC, H9R 1A8
DATE: 2010-10-12	TEL: 1-800-361-2260
UPDATED BY: J. PROULX	FAX: 1-888-626-0606
DATE: 2012-09-27	



SHEET: 1 of 1

CONFIDENTIAL: THIS DRAWING AND/OR THE INFORMATION CONTAINED HEREIN IS AND REMAINS THE SOLE PROPERTY OF, AND IS PROPRIETARY TO, MANARAS-OPERA. THIS DRAWING AND/OR INFORMATION SHALL BE KEPT CONFIDENTIAL AND MAY NOT BE REPRODUCED, COPIED, MODIFIED, DISCLOSED, TRANSFERRED, OR MADE AVAILABLE TO OTHERS, EXCEPT WITH THE EXPRESS CONSENT OF MANARAS-OPERA. IT IS LOANED IN CONFIDENCE FOR MUTUAL ASSISTANCE PURPOSES ONLY. MANARAS-OPERA MAY AT ANY TIME, WRITTEN MODIFY THE DRAWING AND/OR INFORMATION CONTAINED HEREIN.