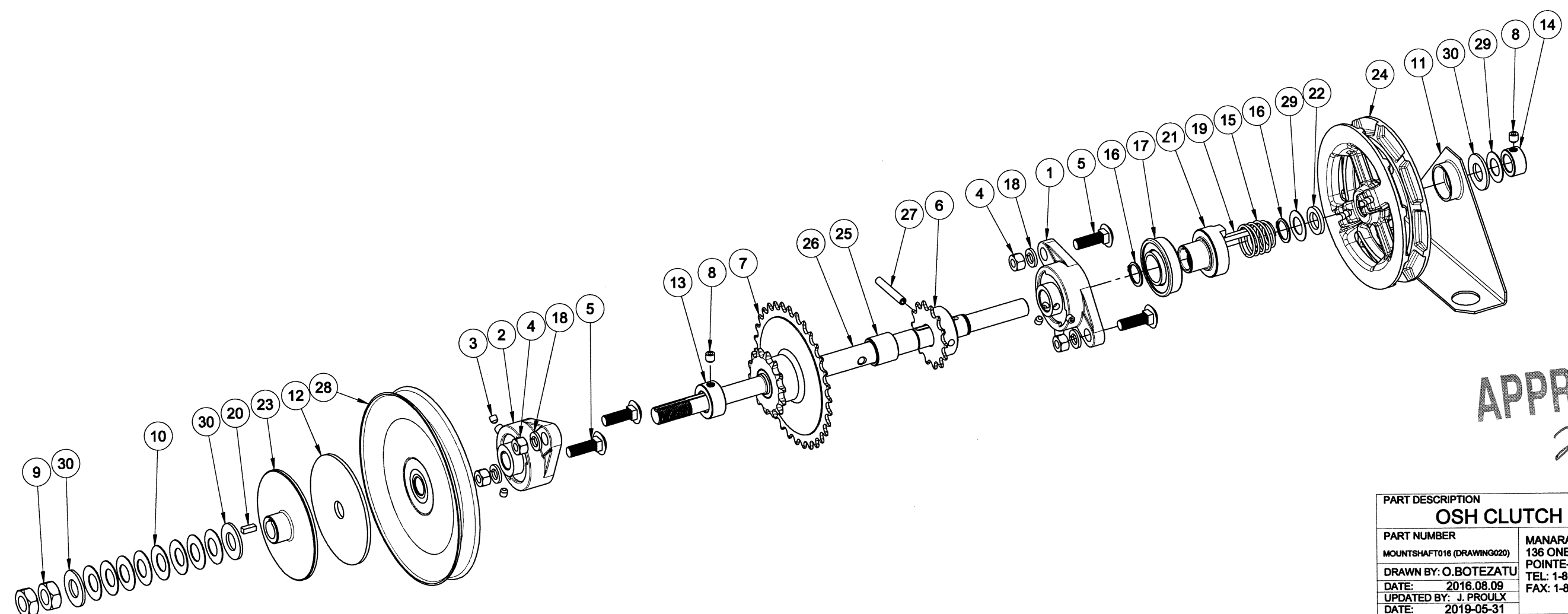


No	Qty	DESCRIPTION	# MANARAS	REV
1	1	2-BOLT FLANGE BEARING ID 3/4" BLACK	BEARING048	
2	1	2-BOLT FLANGE BEARING ID 5/8" BLACK	BEARING051	
3	4	1/4-28 X 1/4 SET SCREW	SCREW002	
4	4	3/8-16 HEX NUT ZP	NUT010	
5	4	3/8-16 X 1-1/4 RND HD SQ NECK BOLT	BOLT059	
6	1	410B14 X 3/4 K0 0S PH1/4	SPR410B14X3/4	3
7	1	41B14_410A32 X 3/4 K0 0S	SPR41B14_410A32X3/4	
8	2	5/16-18 X 5/16 SET SCREW	SCREW003	
9	2	5/8-18 HEX JAM NUT ZP	NUT013	
10	8	BELLEVILLE WASHER (31.5X16.3X0.8)	WASHER035	
11	1	CHAIN GUIDE OPERA	GUIDE014	3
12	1	CL.PAD 5/8x4x0.125"	CLUTCHPAD005	3
13	1	COLLAR 3/4"	COLLAR005	
14	1	COLLAR 5/8"	COLLAR004	
15	1	COMP. SPRING DISC. OSH	SPRING043	2
16	2	EXT. RETAINING RING	CLIP017	
17	1	FLANGED BEARING ID 1"	BEARING007	
18	4	HELICAL SPRING LOCK WASHER 3/8 ZP	WASHER030	
19	1	KEY 3/16 X 1-1/2 ROUNDED ENDS	KW013	5
20	1	KEY 3/16 X 1/2	KW031	5
21	1	MANUAL HOIST COUPLING	COUPLING019	A
22	1	OILLITE WASHER (.625X1.00X.125)	WASHER057	0
23	1	OPERA CLUTCHPLATE	CLUTCHPLATE006	3
24	1	OPERA POCKETWHEEL	POCKETWHEEL005	2
25	1	OPERA SPACER 3/4"	SPACER008	1
26	1	OSH INPUT SHAFT	SHAFT116	6
27	1	PIN SLOTTED SPRING 1/4 X 1-3/4	PIN020	
28	1	PULLEY 7" x 5/8" 5L/B	PULLEY020	6
29	2	THRUST WASHER ID 5/8" OD 1-1/8"	BEARING024	
30	3	TYPE A PLAIN WASHER 5/8 N ZP	WASHER014	0

NOT SHOWN IN DRAWING		
Qty	DESCRIPTION	# MANARAS
1	TYPE B, INSIDE LENGHT 29"	VBELTB29



APPROUVÉ
J. Proulx
 2014-05-31

PART DESCRIPTION		
OSH CLUTCH & HOIST SHAFT KIT		
PART NUMBER	MANARAS-OPERA	
MOUNTSHAFT016 (DRAWING020)	136 ONEIDA DRIVE	
DRAWN BY: O. BOTEZATU	PONTE-CLAIRE, QC, H9R 1A8	
DATE: 2016.08.09	TEL: 1-800-361-2260	
UPDATED BY: J. PROULX	FAX: 1-888-626-0606	
DATE: 2019-05-31	SHEET: 1 of 1	

CONFIDENTIAL: THIS DRAWING AND/OR THE INFORMATION CONTAINED HEREIN IS AND REMAINS THE SOLE PROPERTY OF, AND IS PROPRIETARY TO, MANARAS-OPERA. THIS DRAWING AND/OR INFORMATION SHALL BE KEPT CONFIDENTIAL AND MAY NOT BE REPRODUCED, COPIED, MODIFIED, DISCLOSED, TRANSFERRED, OR MADE AVAILABLE TO OTHERS, EXCEPT WITH THE EXPRESS CONSENT OF MANARAS-OPERA. IT IS LOANED IN CONFIDENCE FOR MUTUAL ASSISTANCE PURPOSES ONLY. MANARAS-OPERA MAY AT ANY TIME, WRITTEN MODIFY THE DRAWING AND/OR INFORMATION CONTAINED HEREIN.