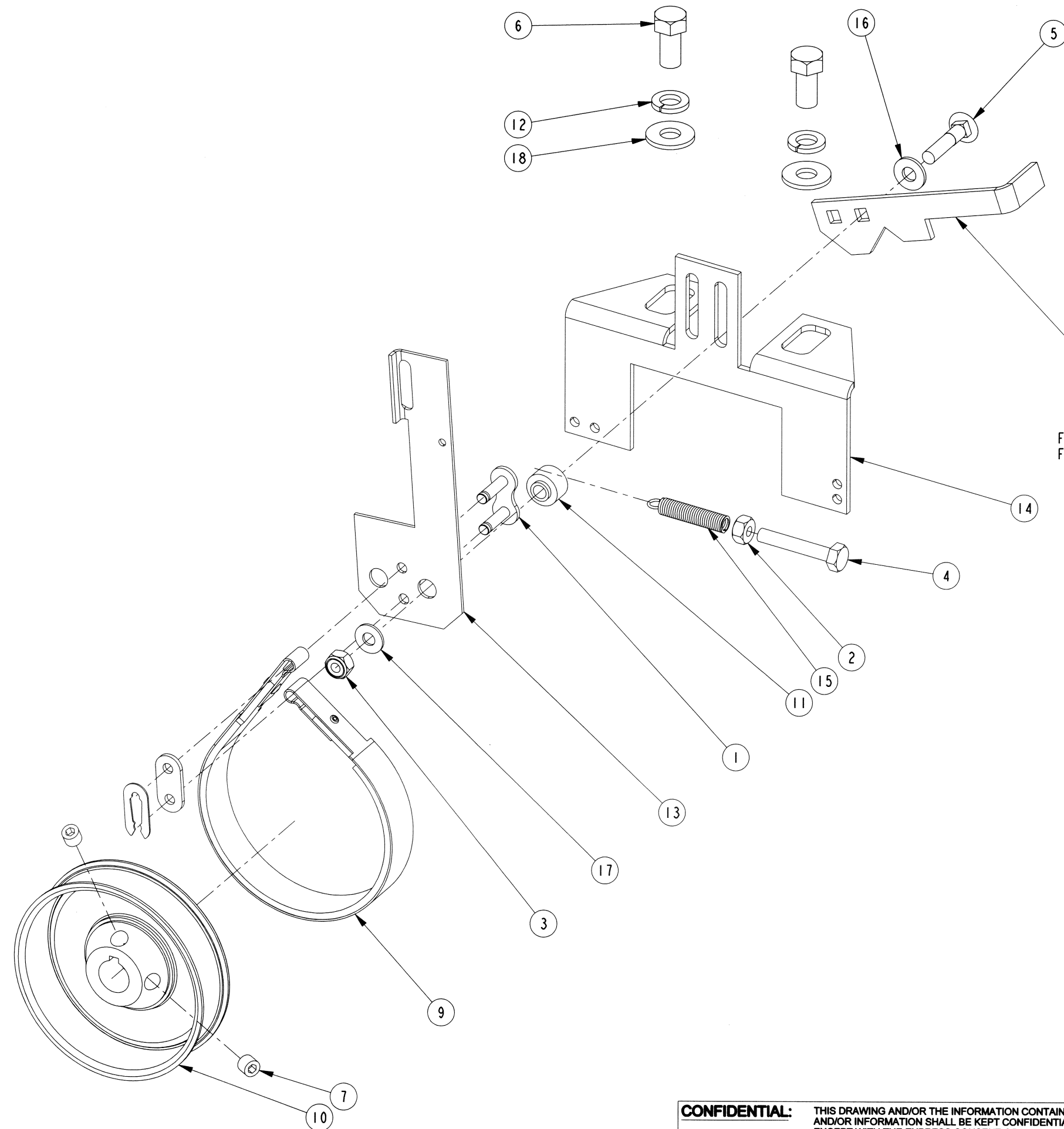


No	Qty	DESCRIPTION	# MANARAS	REV
1	1	#50 CONNECTING LINK 50-1	LINK011	
2	1	1/4-20 HEX NUT ZP	NUT006	
3	1	1/4-20 HEX NYLON LOCK NUT ZP	NUT020	
4	1	1/4-20 X 1-1/2 HEX BOLT	BOLT010	
5	1	1/4-20 X 1-1/4 RND HD SQ NECK BOLT	BOLT083	
6	2	3/8-16 X 3/4 HEX BOLT	BOLT022	
7	2	5/16-18 X 5/16 SET SCREW	SCREW003	
8	1	ADJ. BRAKE LEVER KIT RETROF.	LEVER076	
9	1	BRAKE BAND ASSEMBLY HEAVY DUTY	BRAKEPART019	
10	1	BRAKE DRUM	DRUM005	1
11	1	BRAKE LEVER PIVOT	BUSHING053	3
12	2	HELICAL SPRING LOCK WASHER 3/8 ZP	WASHER030	
13	1	MGH BRAKE LEVER C-1 GALVANIZED	LEVER051	
14	1	MGH BRAKE SUPPORT REDUCER 80	BRACKET169	4
15	1	TROLLEY ARM DISCONNec SPRING	SPRING026	
16	1	TYPE A PLAIN WASHER 1/4 N ZP	WASHER004	
17	1	TYPE A PLAIN WASHER 3/16 ZP	WASHER003	
18	2	TYPE A PLAIN WASHER 5/16 W ZP	WASHER008	



8
 FOR 1/2 TO 1.5HP: Use LEVER052
 FOR 2 TO 5HP: Use LEVER076

- ALSO SUPPLY WITH THIS RETROFIT KIT:
- For reducer shaft:
 - 1x CLIP024
 - 1x KW010
 - 1x KW031
 - 2x SCREW003
 - For HOIST shaft:
 - 1x BOLT010
 - 1x PIN010
 - 1x PIN011
 - 1x WASHER026
 - For SOLENOID:
 - 1x PIN001

PART DESCRIPTION	
GH/MGH BRAKE RETROFIT KIT	
PART NUMBER BRAKE012 (DRAWING023)	MANARAS-OPERA 136 ONEIDA DRIVE POINTE-CLAIRE, QC, H9R 1A8
DRAWN BY: LFM	TEL: 1-800-361-2260
DATE: 2010-09-17	FAX: 1-888-626-0606
UPDATED BY: J. PROULX	
DATE: 2013-03-07	



CONFIDENTIAL: THIS DRAWING AND/OR THE INFORMATION CONTAINED HEREIN IS AND REMAINS THE SOLE PROPERTY OF, AND IS PROPRIETARY TO, MANARAS-OPERA. THIS DRAWING AND/OR INFORMATION SHALL BE KEPT CONFIDENTIAL AND MAY NOT BE REPRODUCED, COPIED, MODIFIED, DISCLOSED, TRANSFERRED, OR MADE AVAILABLE TO OTHERS, EXCEPT WITH THE EXPRESS CONSENT OF MANARAS-OPERA. IT IS LOANED IN CONFIDENCE FOR MUTUAL ASSISTANCE PURPOSES ONLY. MANARAS-OPERA MAY AT ANY TIME, WRITTEN MODIFY THE DRAWING AND/OR INFORMATION CONTAINED HEREIN.