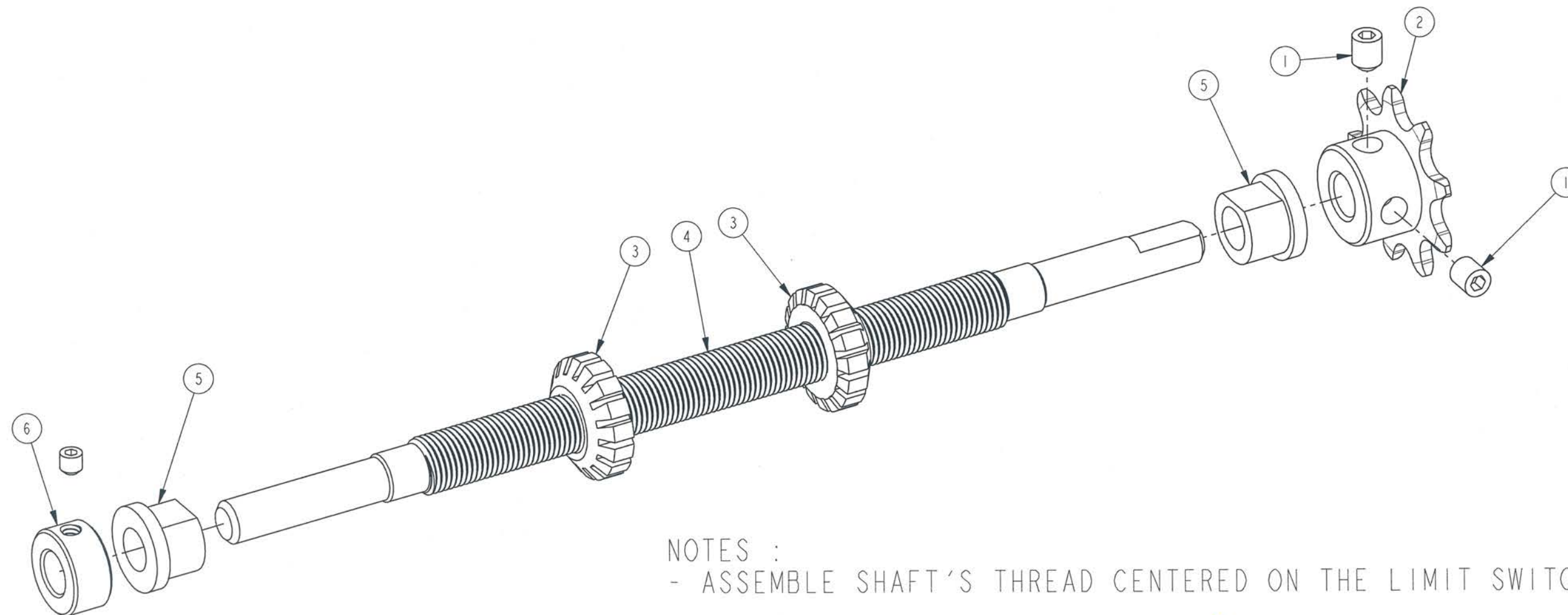


No	Qty	DESCRIPTION	# MANARAS	REV
1	2	1/4-20 X 5/16 SET SCREW	SCREW001	
2	1	410B9 X 3/8 KO 2S1/4-20	SPR410B9X3/8	
3	2	CAM LIMIT OPERA	CAM011	2
4	1	OPERA LIMIT SHAFT	SHAFT103	9
5	2	OPERA LIMIT SHAFT BUSHING	BUSHING055	1
6	1	STEEL COLLAR 0.3	COLLAR002	



NOTES :

- ASSEMBLE SHAFT'S THREAD CENTERED ON THE LIMIT SWITCHES.

**APPROUVÉ**

*J. Proulx*  
2017-01-18

PART DESCRIPTION	
<b>OPERA LIMIT SHAFT KIT</b>	
PART NUMBER MOUNTSHAFT018 (DRAWING024)	MANARAS-OPERA 136 ONEIDA DRIVE POINTE-CLAIRE, QC, H9R 1A8 TEL: 1-800-361-2280 FAX: 1-888-628-0606
DRAWN BY: J. PROULX DATE: 2010-11-30 UPDATED BY: O. BOTEZATU DATE: 2016.12.07	
SHEET: 1 of 1	

**CONFIDENTIAL:**

THIS DRAWING AND/OR THE INFORMATION CONTAINED HEREIN IS AND REMAINS THE SOLE PROPERTY OF, AND IS PROPRIETARY TO, MANARAS-OPERA. THIS DRAWING AND/OR INFORMATION SHALL BE KEPT CONFIDENTIAL AND MAY NOT BE REPRODUCED, COPIED, MODIFIED, DISCLOSED, TRANSFERRED, OR MADE AVAILABLE TO OTHERS, EXCEPT WITH THE EXPRESS CONSENT OF MANARAS-OPERA. IT IS LOANED IN CONFIDENCE FOR MUTUAL ASSISTANCE PURPOSES ONLY. MANARAS-OPERA MAY AT ANY TIME, WRITTEN MODIFY THE DRAWING AND/OR INFORMATION CONTAINED HEREIN.