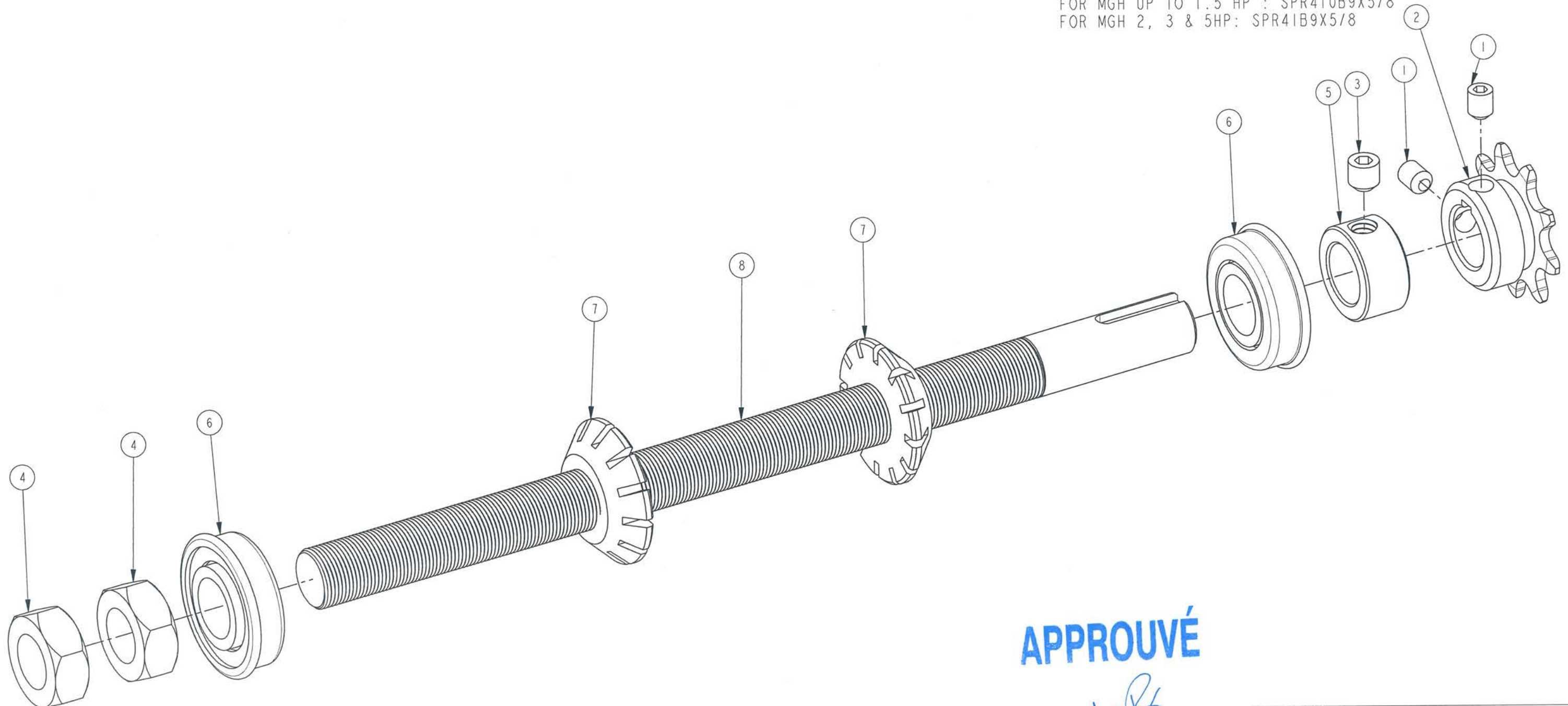


No	Qty	DESCRIPTION	# MANARAS	REV
1	2	1/4-20 X 5/16 SET SCREW	SCREW001	
2	1	410B9 X 5/8 K3/16 2S1/4-20 CR	SPR410B9X5/8	1
3	1	5/16-18 X 5/16 SET SCREW	SCREW003	
4	2	5/8-24 HEX JAM NUT ZP	NUT015	
5	1	COLLAR 5/8"	COLLAR004	
6	2	FLANGE BEARING 5/8 c10-22f*3	BEARING005	
7	2	LIMIT CAM 5/8-24UNEF	CAM004	
8	1	SHAFT 24UNEF LG. 10.085"	SHAFT105	2

FOR MGH UP TO 1.5 HP : SPR410B9X5/8
 FOR MGH 2, 3 & 5HP: SPR41B9X5/8



APPROUVÉ

Jonathan Proulx
 2017-01-18

PART DESCRIPTION	
MGH LIMIT SHAFT KIT (GREEN BOX)	
PART NUMBER	MANARAS-OPERA
MOUNTSHAFT018C/D (DRAWING032)	136 ONEIDA DRIVE
DRAWN BY: J. PROULX	POINTE-CLAIRE, QC, H9R 1A8
DATE: 2013-04-15	TEL: 1-800-361-2260
UPDATED BY: O.BOTEZATU	FAX: 1-888-626-0606
DATE: 2016.12.12	



SHEET: 1 of 1

CONFIDENTIAL: THIS DRAWING AND/OR THE INFORMATION CONTAINED HEREIN IS AND REMAINS THE SOLE PROPERTY OF, AND IS PROPRIETARY TO, MANARAS-OPERA. THIS DRAWING AND/OR INFORMATION SHALL BE KEPT CONFIDENTIAL AND MAY NOT BE REPRODUCED, COPIED, MODIFIED, DISCLOSED, TRANSFERRED, OR MADE AVAILABLE TO OTHERS, EXCEPT WITH THE EXPRESS CONSENT OF MANARAS-OPERA. IT IS LOANED IN CONFIDENCE FOR MUTUAL ASSISTANCE PURPOSES ONLY. MANARAS-OPERA MAY AT ANY TIME, WRITTEN MODIFY THE DRAWING AND/OR INFORMATION CONTAINED HEREIN.