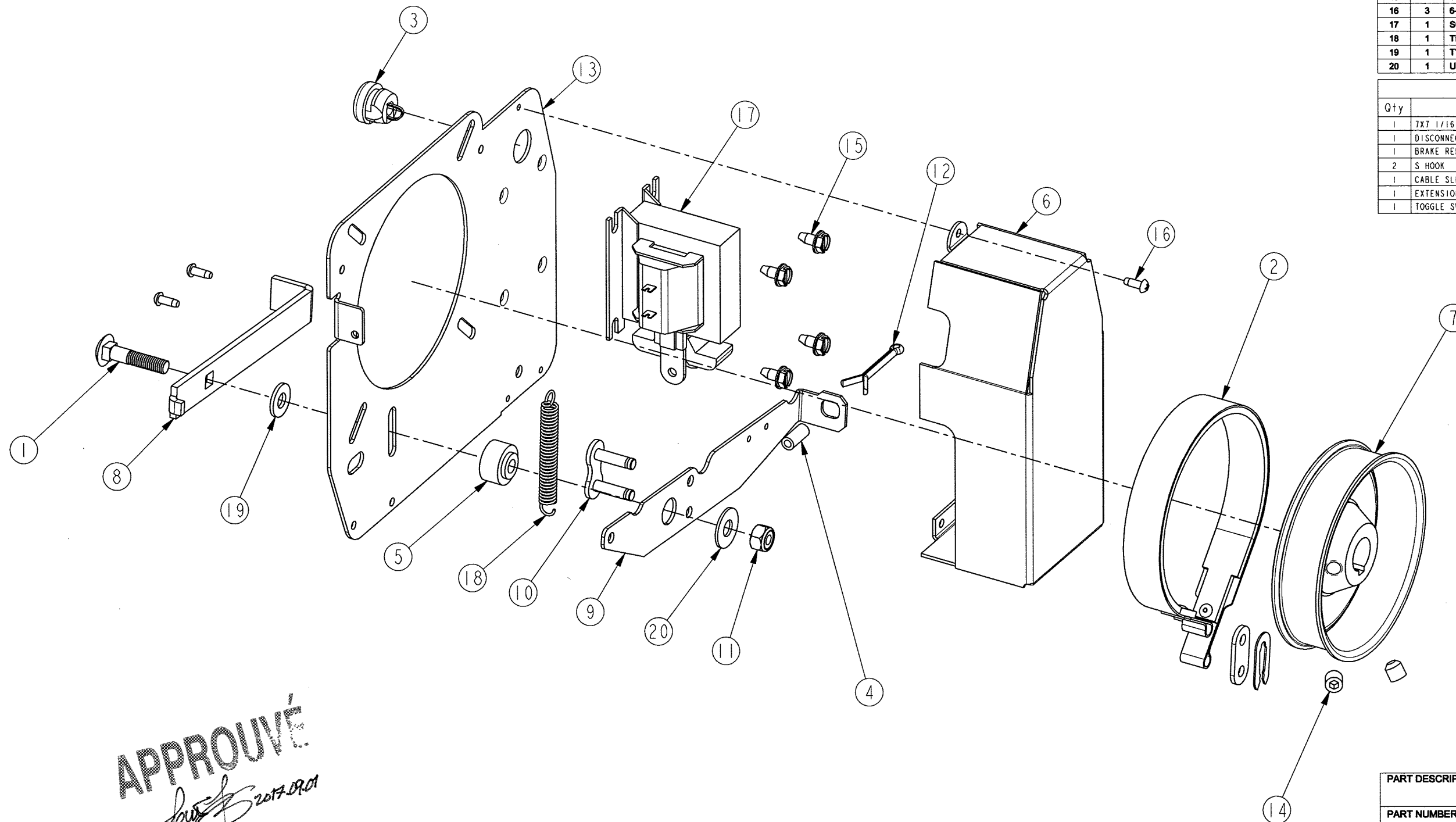


Qty	DESCRIPTION	# MANARAS
120V - 1PH	SOLENOID SWITCH 120V	SOLENOID010
230V - 1PH	SOLENOID SWITCH 240V	SOLENOID002
208V - 3PH	SOLENOID SWITCH 240V	SOLENOID002
460V - 3PH	SOLENOID SWITCH 440V	SOLENOID003
575V - 3PH	SOLENOID SWITCH 575V	SOLENOID004

No	Qty	DESCRIPTION	# MANARAS	REV
1	1	1/4-20 X 1-1/4 RND HD SQ NECK BOLT	BOLT083	
2	1	BRAKE BAND ASSEMBLY #2	BRAKEPART021	
3	1	0.300 CABLESTRAN RELIEF 5/8" OD	BUSHING067	
4	1	ZINC PLT STEEL SPACER 1/4OD 9/16L	BUSHING072	0
5	1	BRAKE LEVER PIVOT	BUSHING074	0
6	1	PLATED SOLENOID COVER	COVER048	5
7	1	STEEL BRAKE DRUM ID 0.628	DRUM005	2
8	1	ADJUSTMENT BRAKE LEVER	LEVER064	4
9	1	BRAKE LEVER	LEVER098	1
10	1	#50 CONNECTING LINK 50-1	LINK011	
11	1	1/4-20 HEX NYLON LOCK NUT ZP	NUT020	
12	1	PIN COTTER 1/8 X 1-1/2	PIN001	
13	1	BRAKE PLATE	PLATE122	0
14	2	5/16-18 X 5/16 SET SCREW	SCREW003	
15	4	10-24 X 3/8 TYPE T S-TAP. SCREW	SCREW022	
16	3	6-32 X 3/8 TYPE T S-TAP. SCREW	SCREW094	
17	1	SOLENOID	SEE TABLE	
18	1	TROLLEY ARM DISCONNECT SPRING	SPRING026	
19	1	TYPE A PLAIN WASHER 1/4 N ZP	WASHER004	0
20	1	USS STD WASHER 5/16 ZP	WASHER074	0

NOT SHOWN IN DRAWING		
Qty	DESCRIPTION	# MANARAS
1	7X7 1/16"X33"CW STOP	CABLE026
1	DISCONNECT CHAIN 7.0" LONG - 14 LINKS	CHAIN082
1	BRAKE RELEASE CHAIN 4" - 8 LINKS	CHAIN084
2	S HOOK	HOOK001
1	CABLE SLEEVE 1/16	SLEEVE001
1	EXTENSION SPRING E480-063-3275	SPRING027
1	TOGGLE SWITCH SPRING	SPRING030



**APPROUVÉ**  
*[Signature]* 2017.09.01

PART DESCRIPTION		
<b>BAND BRAKE ASSEMBLY KIT</b>		
PART NUMBER	MANARAS-OPERA	
BRAKE016 (DRAWING041)	136 ONEIDA DRIVE	
DRAWN BY: LFM	POINTE-CLAIRE, QC, H9R 1A8	
DATE: 2017.09.01	TEL: 1-800-361-2260	
UPDATED BY:	FAX: 1-888-626-0606	
DATE:		
	SHEET: 1 of 1	

**CONFIDENTIAL:** THIS DRAWING AND/OR THE INFORMATION CONTAINED HEREIN IS AND REMAINS THE SOLE PROPERTY OF, AND IS PROPRIETARY TO, MANARAS-OPERA. THIS DRAWING AND/OR INFORMATION SHALL BE KEPT CONFIDENTIAL AND MAY NOT BE REPRODUCED, COPIED, MODIFIED, DISCLOSED, TRANSFERRED, OR MADE AVAILABLE TO OTHERS, EXCEPT WITH THE EXPRESS CONSENT OF MANARAS-OPERA. IT IS LOANED IN CONFIDENCE FOR MUTUAL ASSISTANCE PURPOSES ONLY. MANARAS-OPERA MAY AT ANY TIME, WRITTEN MODIFY THE DRAWING AND/OR INFORMATION CONTAINED HEREIN.