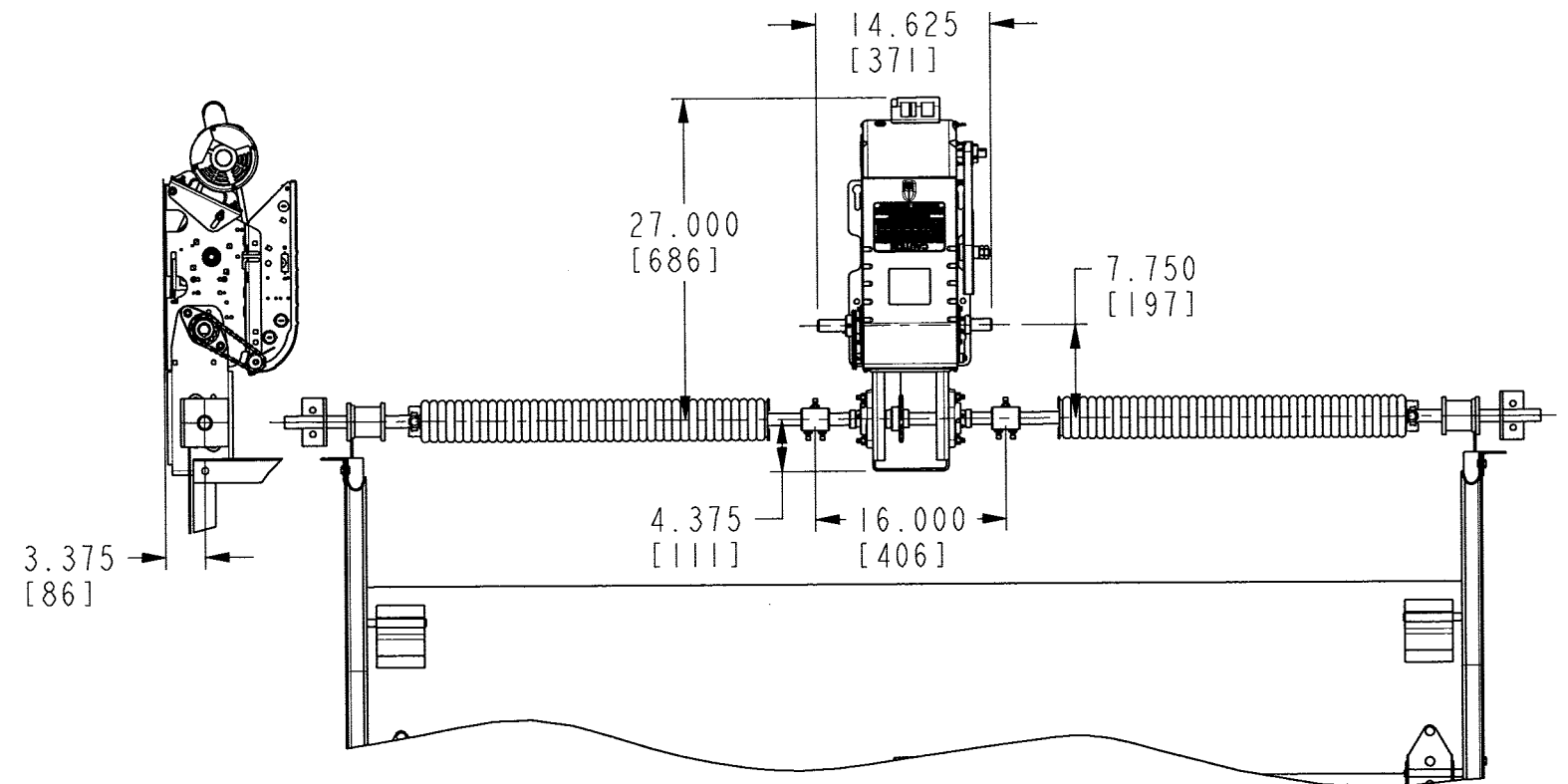
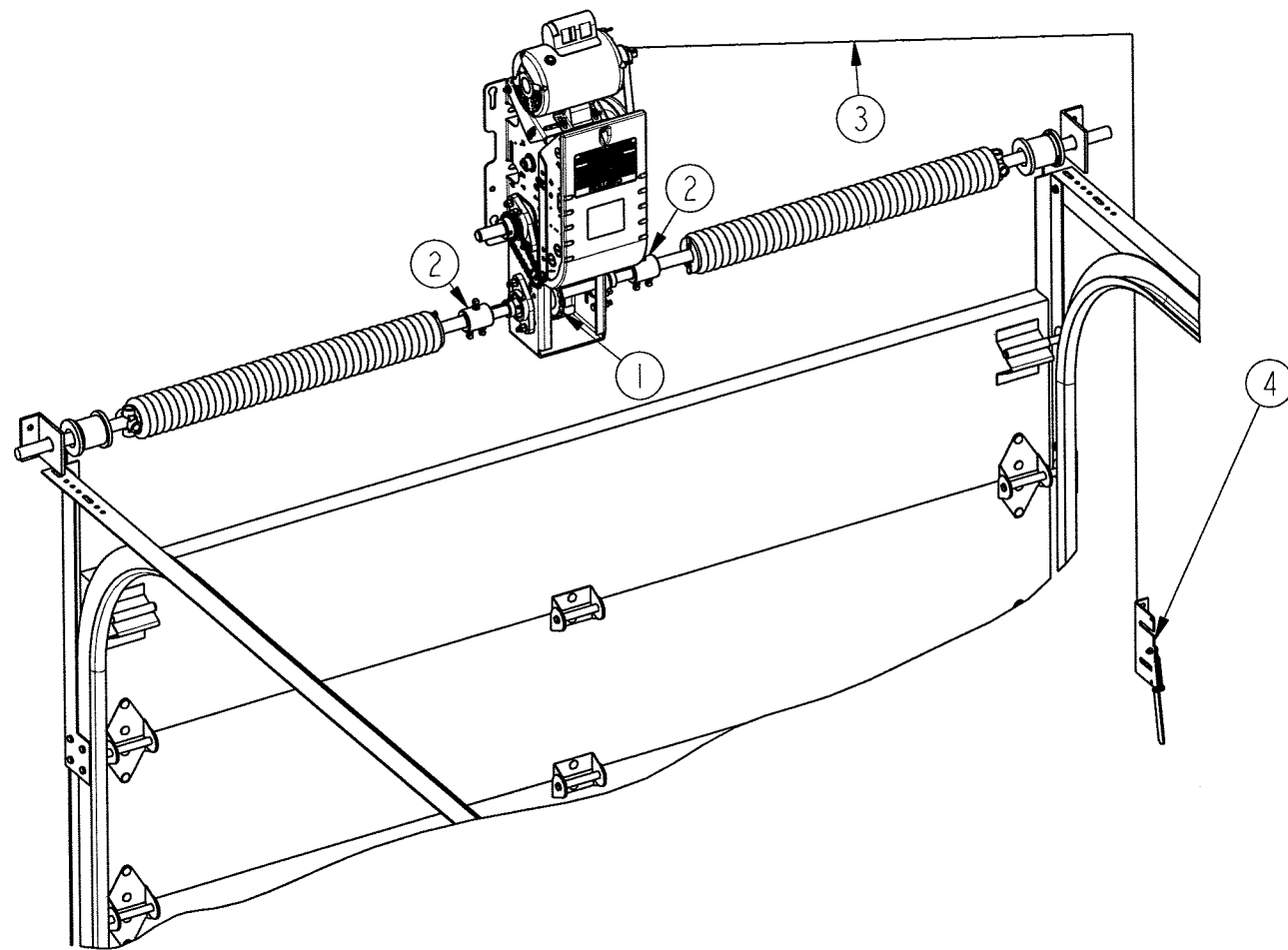



No	Qty	DESCRIPTION	# MANARAS
1	1	SPROCKET (REFER TO MOD164*** FOR SIZE)	SPR50B**X1
2	2	SHAFT COUPLING FOR MOD164A** (1" X 1")	COUPLING015
2	2	SHAFT COUPLING FOR MOD164B** (1" X 1-1/4")	COUPLING022
3	1	CABLE 3/32 25'	CABLE008
4	1	DISCONNECT STANDARD	DISCONNECT001

NOT SHOWN IN DRAWING (DISCONNECT)		
Qty	DESCRIPTION	# MANARAS
2	10-24 X 1/4 U BOLT CABLE CLAMP	BOLT060
2	SINGLE SWIVEL PULLEY 1.0	PULLEY016



APPROUVÉ
Jonathan Proulx
 2019-11-20

PART DESCRIPTION		
OPJ or OPJ w/ BRAKE CENTERMOUNT MOD		
PART NUMBER	MANARAS-OPERA	
MOD164 (DRAWING045)	136 ONEIDA DRIVE	
DRAWN BY: J. PROULX	POINTE-CLAIRE, QC, H9R 1A8	
DATE: 2019-09-18	TEL: 1-800-361-2260	
UPDATED BY: J. PROULX	FAX: 1-888-626-0606	
DATE: 2019-11-20		
		SHEET: 1 of 1

CONFIDENTIAL: THIS DRAWING AND/OR THE INFORMATION CONTAINED HEREIN IS AND REMAINS THE SOLE PROPERTY OF, AND IS PROPRIETARY TO, MANARAS-OPERA. THIS DRAWING AND/OR INFORMATION SHALL BE KEPT CONFIDENTIAL AND MAY NOT BE REPRODUCED, COPIED, MODIFIED, DISCLOSED, TRANSFERRED, OR MADE AVAILABLE TO OTHERS, EXCEPT WITH THE EXPRESS CONSENT OF MANARAS-OPERA. IT IS LOANED IN CONFIDENCE FOR MUTUAL ASSISTANCE PURPOSES ONLY. MANARAS-OPERA MAY AT ANY TIME, WRITTEN MODIFY THE DRAWING AND/OR INFORMATION CONTAINED HEREIN.