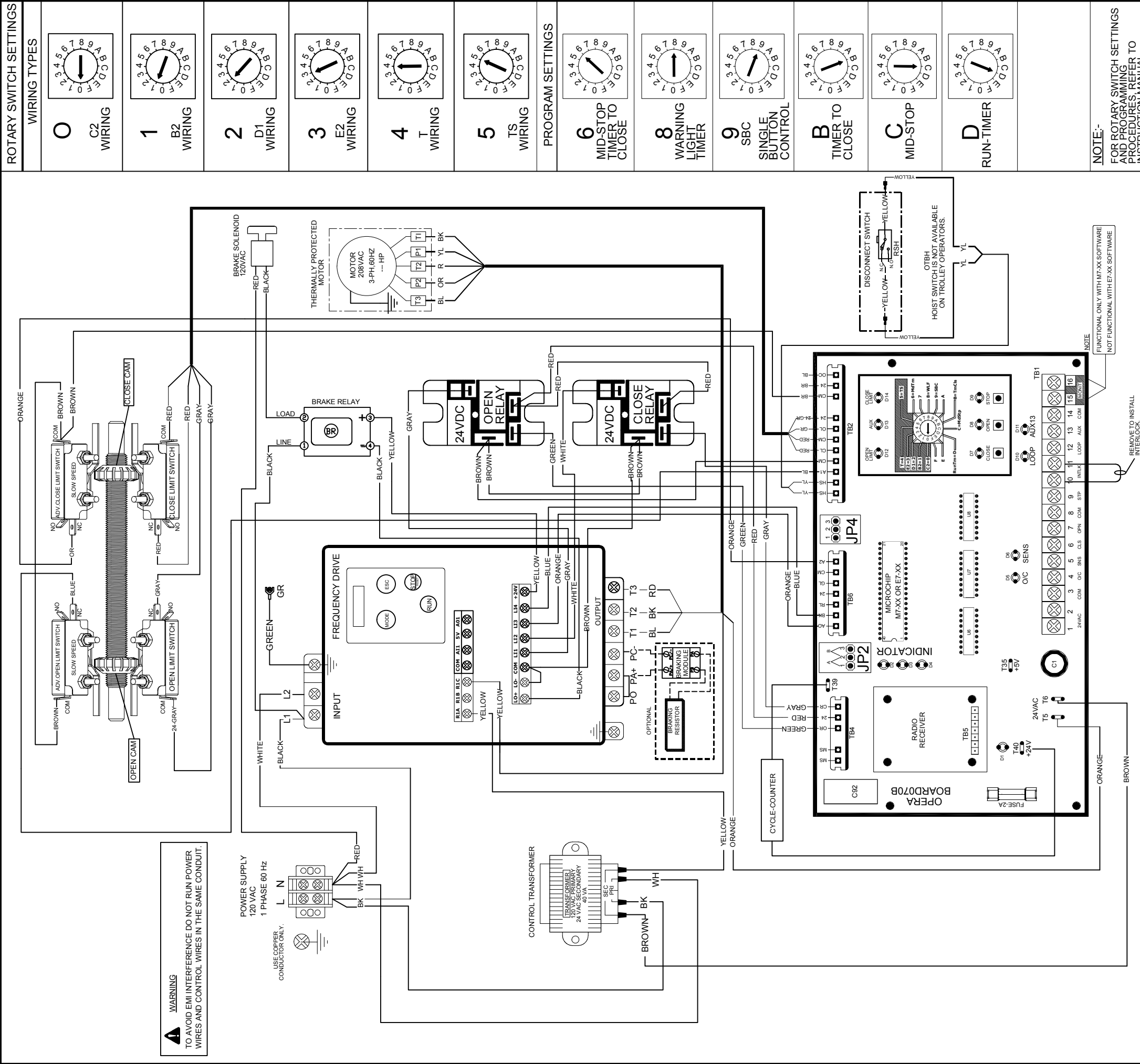
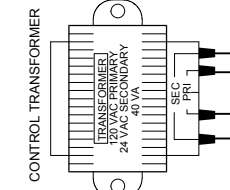
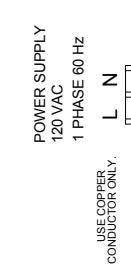


WIRING DIAGRAM - VARIABLE FREQUENCY DRIVE, 1-PHASE, 120VAC



WARNING
TO AVOID EMI INTERFERENCE DO NOT RUN POWER WIRES AND CONTROL WIRES IN THE SAME CONDUIT.



ROTARY SWITCH SETTINGS	
WIRING TYPES	
0	C2 WIRING
1	B2 WIRING
2	D1 WIRING
3	E2 WIRING
4	T WIRING
5	TS WIRING
PROGRAM SETTINGS	
6	MID-STOP TIMER TO CLOSE
8	WARNING LIGHT TIMER
9	SBC SINGLE BUTTON CONTROL
B	TIMER TO CLOSE
C	MID-STOP
D	RUN-TIMER

NOTE:-
FOR ROTARY SWITCH SETTINGS AND PROGRAMMING PROCEDURES REFER TO INSTRUCTION MANUAL

EXTERNAL WIRING

LINE POWER	EXTERNAL INTERLOCK	SAFETY REVERSE	OPEN/CLOSE COMMAND	3-POSITION KEY SW. W/SPRING RETURN TO CENTRE	SINGLE PUSH-BUTTON STATION	TWO PUSH-BUTTON STATION	LOOP DETECTOR
<p>L N GR</p> <p>POWER SUPPLY 120 VAC 1 Ph, 60 HZ.</p>	<p>10 11</p> <p>FACTORY INSTALLED JUMPER REMOVE IF EXT. INTERLOCK IS USED.</p>	<p>3 5</p> <p>CONTACT FOR SAFETY DEVICE</p>	<p>3 4</p> <p>CONTACT FOR OPEN/CLOSE DOOR DEVICE.</p>	<p>6 7 8</p> <p>KEY-SWITCH</p>	<p>6 7 8 9</p> <p>CAUTION PLACE A JUMPER BETWEEN TERMINAL #8 AND #9 IF STOP BUTTON IS NOT USED.</p>	<p>6 7 8 9</p> <p>DISCONNECT SWITCH</p>	<p>12 14</p> <p>CONTACT FOR OPEN DOOR DEVICE (LOOP-DETECTOR)</p>

ON BOARD JUMPER SETTINGS

DISCONNECT SWITCH	PRESENT	1,2	2,3
JP4	NOT PRESENT	1,2,3	2,3
JP2		1,2,3	2,3

MONITORED PHOTOCELL

NOTE
FUNCTIONAL ONLY WITH M7-XX SOFTWARE
NOT FUNCTIONAL WITH E7-XX SOFTWARE

WARNING

① - USE 18AWG OR HIGHER FOR WIRING ALL EXTERNAL CONNECTIONS

② - MOTORIZED DOORS CAN CAUSE SERIOUS INJURIES OR DEATH. MANARAS STRONGLY RECOMMENDS THE USE OF ENTRAPMENT PROTECTION SYSTEMS, ESPECIALLY IN THE CASE OF MOMENTARY CONTACT TO CLOSE AS IN B2 WIRING

THE INFORMATION CONTAINED HEREIN IS PROPRIETARY TO MANARAS-OPERA AND SHALL NOT BE REPRODUCED OR DISCLOSED OR USED FOR ANY DESIGN OR MANUFACTURE EXCEPT WHEN USER POSSESSES DIRECT WRITTEN AUTHORIZATION FROM MANARAS-OPERA

SPECIAL WIRING DIAGRAM, VFD- 1-PH, 120VAC

TITLE: SPECIAL WIRING DIAGRAM, VFD- 1-PH, 120VAC
 DRAWN BY: BP
 DATE: 24.05.2016
 CAD FILE: EDWGH4070VFD03
 REV: D
 DATE: 17/DEC.2018

MANARAS-OPERA
 136 ONEIDA DRIVE
 POINTE-CLAIRE, QC H9R 1A8
 TEL: 1-800-361-2260
 FAX: 1-888-626-0606

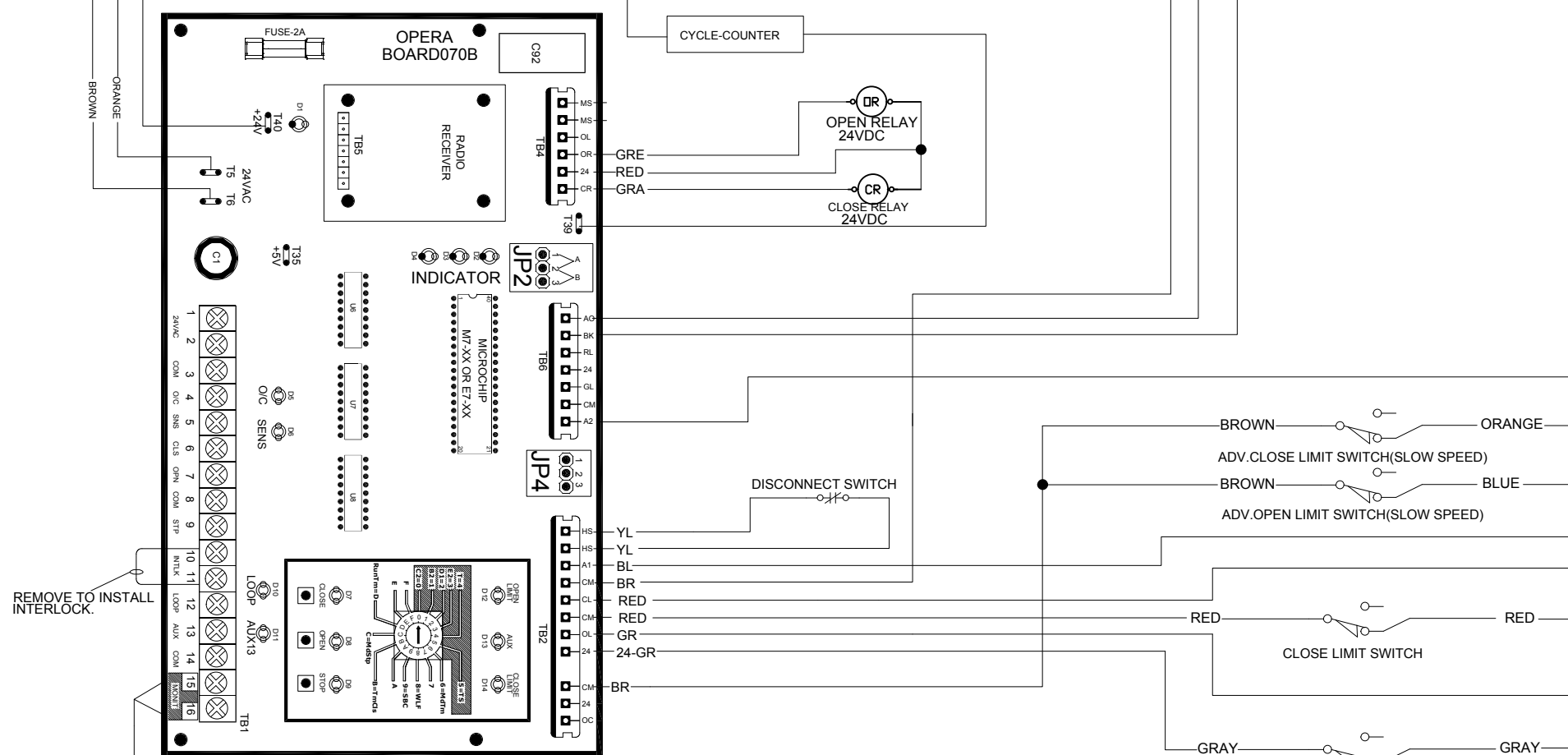
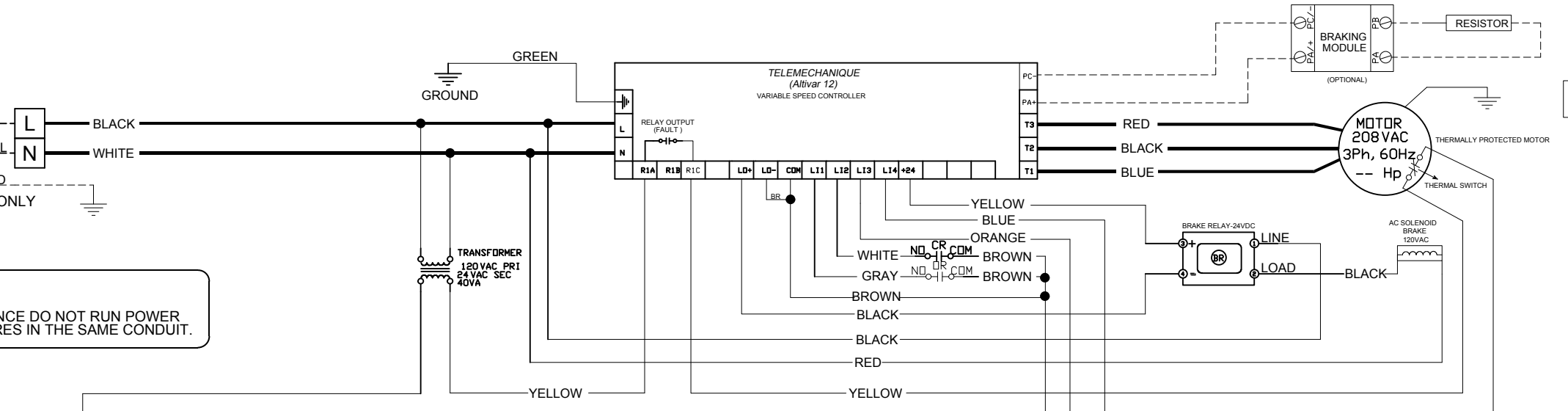
Manaras
Opera

POWER SUPPLY
120 VAC
1 Ph, 60 Hz.

USE COPPER CONDUCTORS ONLY

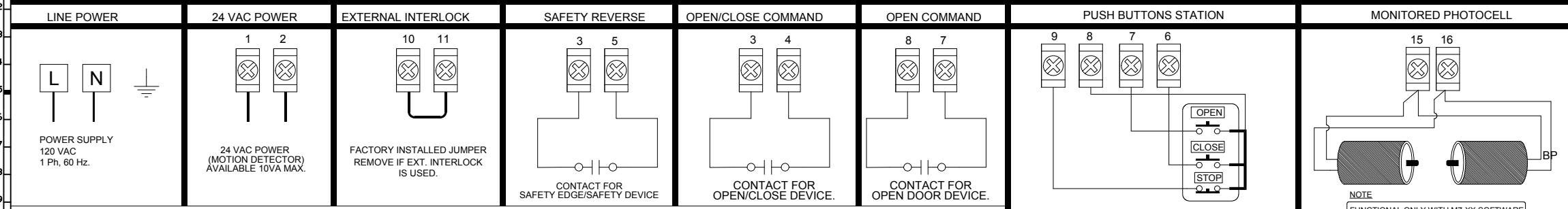
WARNING:
TO AVOID EMI INTERFERENCE DO NOT RUN POWER WIRES AND CONTROL WIRES IN THE SAME CONDUIT.

NOTE:
TO REVERSE MOTOR ROTATION INTERCHANGE TWO WIRES ON M1 & M2.



NOTE
FUNCTIONAL ONLY WITH M7-XX SOFTWARE
NOT FUNCTIONAL WITH E7-XX SOFTWARE

ON BOARD JUMPER SETTINGS															
<table border="1"> <tr> <td>JP2</td> <td>1 2 3</td> </tr> <tr> <td>● ● ●</td> <td></td> </tr> <tr> <td>2,3</td> <td></td> </tr> </table>	JP2	1 2 3	● ● ●		2,3		<table border="1"> <tr> <td>JP4 (DISCONNECT) SWITCH</td> <td>1 2 3</td> </tr> <tr> <td>PRESENT</td> <td>● ● ●</td> </tr> <tr> <td>NOT PRESENT</td> <td></td> </tr> <tr> <td>1,2</td> <td>2,3</td> </tr> </table>	JP4 (DISCONNECT) SWITCH	1 2 3	PRESENT	● ● ●	NOT PRESENT		1,2	2,3
JP2	1 2 3														
● ● ●															
2,3															
JP4 (DISCONNECT) SWITCH	1 2 3														
PRESENT	● ● ●														
NOT PRESENT															
1,2	2,3														



THE INFORMATION CONTAINED HEREIN IS PROPRIETARY TO MANARAS/OPERA, AND SHALL NOT BE REPRODUCED OR DISCLOSED OR USED FOR ANY DESIGN OR MANUFACTURE EXCEPT WHEN USER POSSESSES DIRECT WRITTEN AUTHORIZATION FROM MANARAS/OPERA.

TITLE: SPECIAL WIRING SCHEMATIC- VFD-1 PH, 120 VAC
DRAWN BY: DATE: CAD FILE: REV: DATE:

24.MAY.2016 EDWG14070VFD03S B 08.MAR.2017

MANARAS-OPERA
136 ONEIDA DRIVE
POINTE-CLAIRE, QC H9R 1A8
TEL: 1-800-361-2260
FAX: 1-888-626-0606



NOTE- PLACE A JUMPER BETWEEN TERMINAL # 8 AND# 9. IF STOP BUTTON IS NOT USED.

NOTE
FUNCTIONAL ONLY WITH M7-XX SOFTWARE
NOT FUNCTIONAL WITH E7-XX SOFTWARE