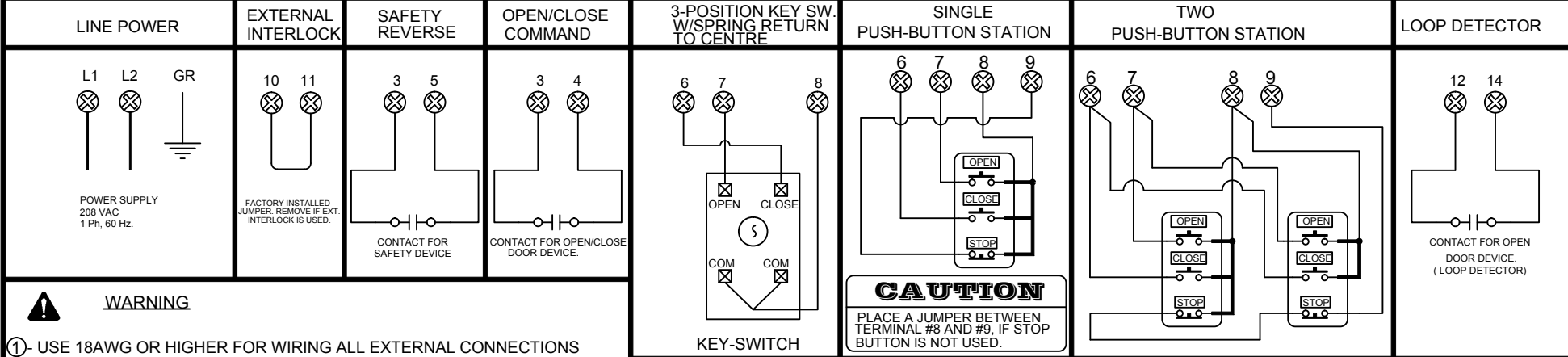


ROTARY SWITCH SETTINGS	
WIRING TYPES	
0 C2 WIRING	
1 B2 WIRING	
2 D1 WIRING	
3 E2 WIRING	
4 T WIRING	
5 TS WIRING	
PROGRAM SETTINGS	
6 MID-STOP TIMER TO CLOSE	
8 WARNING LIGHT TIMER	
9 SBC SINGLE BUTTON CONTROL	
B TIMER TO CLOSE	
C MID-STOP	
D RUN-TIMER	

**NOTE:-**  
FOR ROTARY SWITCH SETTINGS AND PROGRAMMING PROCEDURES, REFER TO INSTRUCTION MANUAL

EXTERNAL WIRING



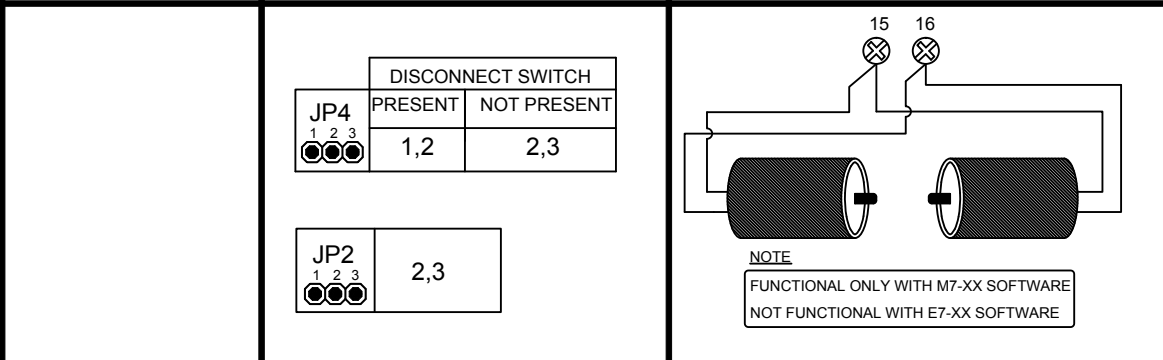
- WARNING**
- ① - USE 18AWG OR HIGHER FOR WIRING ALL EXTERNAL CONNECTIONS
  - ② - MOTORIZED DOORS CAN CAUSE SERIOUS INJURIES OR DEATH. MANARAS STRONGLY RECOMMENDS THE USE OF ENTRAPMENT PROTECTION SYSTEMS, ESPECIALLY IN THE CASE OF MOMENTARY CONTACT TO CLOSE AS IN B2 WIRING

THE INFORMATION CONTAINED HEREIN IS PROPRIETARY TO MANARAS-OPERA AND SHALL NOT BE REPRODUCED OR DISCLOSED OR USED FOR ANY DESIGN OR MANUFACTURE EXCEPT WHEN USER POSSESSES DIRECT WRITTEN AUTHORIZATION FROM MANARAS-OPERA

TITLE: SPECIAL WIRING DIAGRAM, VFD- 1-PH, 208 VAC  
 DRAWN BY: BP DATE: 24.APR.2019 CAD FILE: EDWG14070VFD07 REV: B DATE: 02.OCT.2020

MANARAS-OPERA  
 136 ONEIDA DRIVE  
 POINTE-CLAIRE, QC H9R 1A8  
 TEL: 1-800-361-2260  
 FAX: 1-888-626-0606

ON BOARD JUMPER SETTINGS



**NOTE**  
FUNCTIONAL ONLY WITH M7-XX SOFTWARE  
NOT FUNCTIONAL WITH E7-XX SOFTWARE