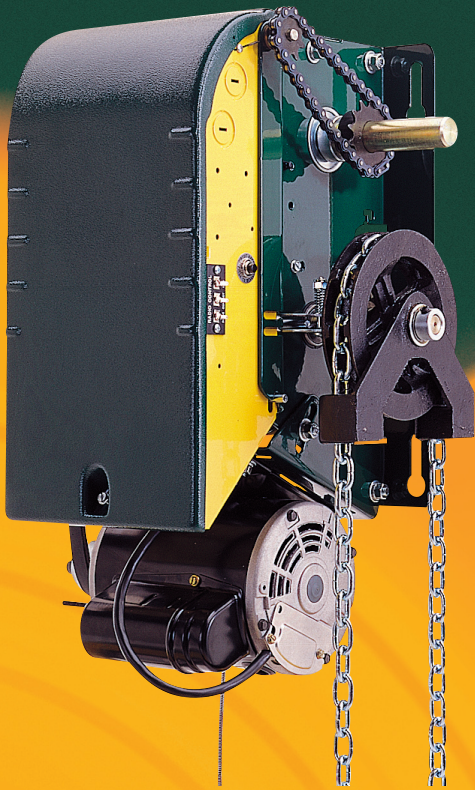


Specification Sheet

Opera™ - HJ



- Hoist-a-matic® self-engaging chain hoist
- Floor level disconnect for manual egress
- Door lock sensor
- Hinged cover with stable opened position
- Lifiable control box with retaining arm for easy access to mechanical parts
- Accu-cam® one hand limit setting

Opera™-HJ, a heavy duty operator with both a self-engaging chain hoist and a floor level disconnect. It applies more specifically to the motorization of grilles when a manual egress is required.



• Standard Features

Motor: 60Hz high starting torque, continuous-duty single phase capacitor start or 3 phase motor, open drip proof, protected against overload. Also available with 50Hz 220V 1 phase and 380V 3 phase motor, consult inside sales.

Reduction: first step in reduction 5L/B V-belt drive, additional steps by chain and sprockets. Input shaft is 5/8" supported by precision ball bearings. Output shaft is 1" with 1/4" keyway, supported by ball bearings. Output shaft speed: 41 rpm.

Friction Clutch: positioned on input shaft, easily adjustable from outside.

Drive: #50 roller chain with a 50B12 sprocket on operator drive shaft. Door sprocket selected for a door travel of 6"/s to 12"/s.

Brake: mechanical brake.

Manual Operation: Hoist-a-matic® self-engaging hoist (not requiring a floor level engagement device to operate) for manual chain operation, as well as a manual egress release. An electrical interlock automatically disconnects power to the motor operator when the chain hoist or egress are engaged. Hand chain on right is standard.

Electrical Enclosure: all electrical components are in a NEMA 1 enclosure. Electrical enclosure cover is hinged and stays in the open position.

Limit Switches: rotary-type with oil-impregnated steel cams, commercial grade switches. Limit shaft is supported in frame by self-lubricating bronze bushing for increased precision. Remains in time when there is a manual operation or after the motor has been removed.

Accu-cam®: precise and quick one-handed adjustment of the limits.

Corrosion Protection: frame and control enclosure protected by baked on, long lasting enamel finish. All shafts protected by yellow chromate coating.

Mounting: wall, hood, or shelf mounted on the right or on the left of the door.

2 Year Warranty



• Operator Range

Current Consumption (Amp.)

| Horse Power | 115V 1 Ph | 230V 1Ph | 208/ 230V 3 Ph | 460V 3 Ph | 575V 3 Ph |
|-------------|--------------|-------------|----------------------|--------------|--------------|
| 1/3* | 6.6 | 3.3 | - | - | - |
| 1/2 | 8.0 | 4.0 | 2.1 | 1.0 | 0.8 |
| 3/4 | 11.2 | 5.6 | 3.2 | 1.5 | 1.2 |
| 1 | 13.6 | 6.8 | 4.4 | 2.1 | 1.6 |

General Guideline

*Only available in the US

• Motor Control

ECB Units: Operating mode D1 and door lock sensor standard. 24Vdc relaying and 5Vdc logic circuit with a 40VA class II transformer, non-volatile memory. Features included: 1.5s delay on reverse, programmable maximum run timer, mid-stop, timer to close, programmable advance close system, test buttons, reverse wiring detection. Operating mode selectable on site: C2, B2 or E2.

• Main Options

Control Accessories: terminal strip allows connection of 3-button stations (one supplied with the operator), sensing edges, photo cells, one push-button radio control (external strip), ceiling pull and key switches, loop detectors, external interlocks. 2A fuse protected 24VAc output is available for accessory power supply.

Mechanical Accessories: wall mounting bracket, chain spreader, etc..., consult inside sales.

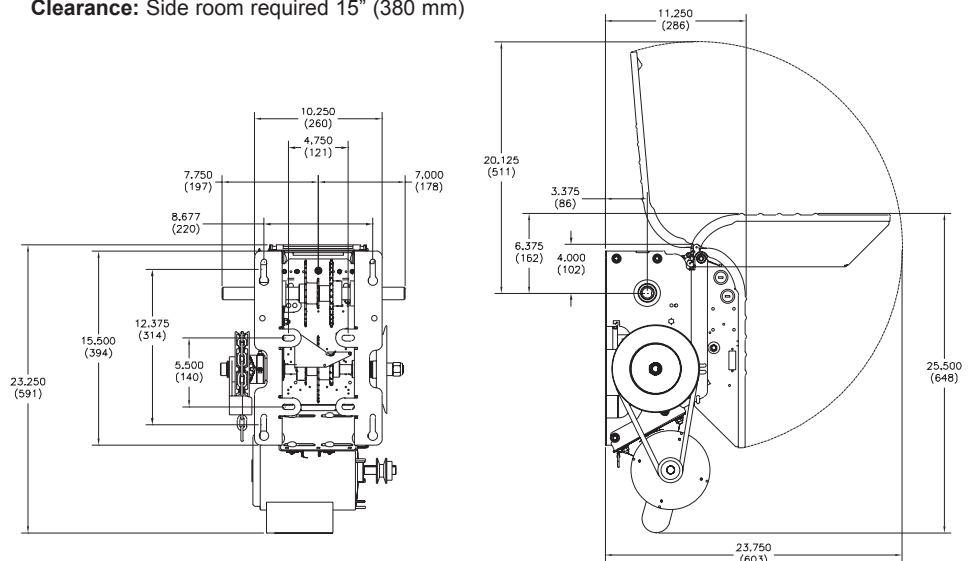
• Motor Selection

Maximum Size of Door in Square Feet

| Horse Power | Rolling Doors | | | | | Sectional Doors | | | | General Guideline |
|-------------|-----------------|--------------|-------------------------------|---------------------------|------------------------------|-------------------|-----------------------------|--|-------------------------------|-------------------|
| | Insulated Steel | 16 ga. Steel | Steel Grilles 20 ga. Steel | Alu. Door 22 ga. Steel | Alu. Grilles 24 ga. Steel | Steel 18 ga. ins. | Steel 18 ga. 20 ga. ins. | Wood Steel 20 ga. 22 & 24 ga. ins. | Aluminum Steel 22 & 24 ga. | |
| 1/3 | - | - | - | - | - | 124 | 172 | 255 | 280 | 294 |
| 1/2 | 157 | 236 | 260 | 319 | 358 | 196 | 245 | 314 | 343 | 392 |
| 3/4 | 206 | 294 | 358 | 451 | 515 | 270 | 319 | 441 | 490 | 549 |
| 1 | 255 | 358 | 446 | 574 | 613 | 294 | 392 | 490 | 564 | 613 |

• Dimensions

Clearance: Side room required 15" (380 mm)



Approx. shipping weight: 101 lbs – 46 kg

Manaras-Opera reserves the right to make specification or design changes without prior notice.
Reg. T.M. of 9141-0720 Québec Inc.