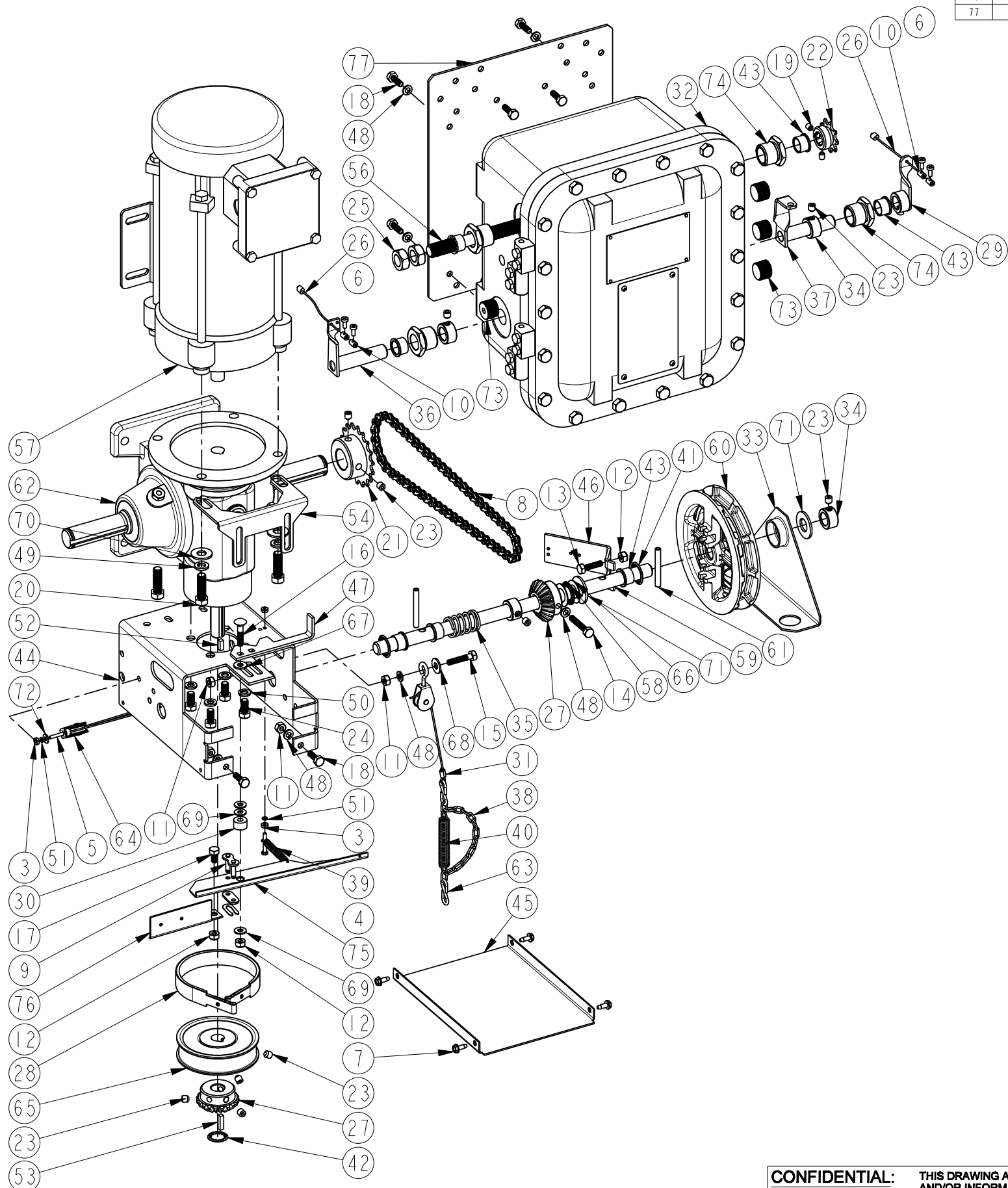


71	2	TYPE A PLAIN WASHER 5/8 N ZP	WASHER014	0
72	1	TYPE A PLAIN WASHER NO 8 ZP	WASHER002	0
73	4	XPL KILLARK CUP - 1 1/2" RECESSED PLUG	ADAPTER012	
74	4	XPL-P16 THREAD BUSHING	ADAPTER008	4
75	1	XPROOF BRAKE RELEASE LEVER	LEVER058	1
76	1	XPROOF BRAKE RELEASE LEVER EXT	LEVER059	2
77	1	XPROOF CBOX ADAPTOR PLATE	PLATE095	0



No	Qty	DESCRIPTION	# MANARAS	REV
1	1	-----	LABEL001	
2	4	6-18 X 5/16 TYPE A S-TAP. SCREW	SCREW008	
3	3	6-32 HEX NUT ZP	NUT002	
4	1	6-32 X 1 MACHINE SCREW	SCREW042	
5	1	6-32 X 3/4 MACHINE SCREW	SCREW041	
6	4	8-32 X 3/8 MACHINE SCREW	SCREW049	
7	4	10-24 X 1/2 TYPE F S-TAP. SCREW	SCREW067	
8	1	#410-1R 500"	CHAIN046	
9	1	#50 CONNECTING LINK 50-1	LINK011	
10	4	1/16 CABLE STOPPER	BUSHING024	0
11	6	1/4-20 HEX NUT ZP	NUT006	
12	3	1/4-20 HEX NYLON LOCK NUT ZP	NUT020	
13	1	1/4-20 X 1 HEX BOLT	BOLT004	
14	1	1/4-20 X 1-1/2 HEX BOLT	BOLT010	
15	1	1/4-20 X 1-1/4 HEX BOLT	BOLT007	
16	1	1/4-20 X 1-1/4 RND HD SQ NECK BOLT	BOLT083	
17	1	1/4-20 X 1/2 HEX BOLT	BOLT001	
18	8	1/4-20 X 3/4 HEX BOLT	BOLT002	
19	2	1/4-20 X 5/16 SET SCREW	SCREW001	
20	4	3/8-16 X 1-1/4 HEX BOLT	BOLT026	
21	1	410B18 X 1 K1/4 2SS/16-18	SPR410B18X1	1
22	1	410B9 X 5/8 K3/16 2S1/4-20 CR	SPR410B9X5/8	1
23	11	5/16-18 X 5/16 SET SCREW	SCREW003	
24	4	5/16-18 X 5/8 HEX BOLT	BOLT018	
25	2	5/8-24 HEX JAM NUT ZP	NUT015	
26	2	7X7 1/16" X 16"	CABLE012	
27	2	BEVEL GEAR GH MGH 5/8 20TH	GEAR001	2
28	1	BRAKE BAND ASSEMBLY HEAVY DUTY	BRAKEPART019	
29	1	BRAKE DISC ARM XP FEMALE	LEVER082	1
30	1	BRAKE LEVER PIVOT	BUSHING053	3
31	1	CABLE SLEEVE 1/16"	SLEEVE001	
32	1	CBOX XPROOF 08.10.06	CBOX047	---
33	1	CHAIN GUIDE OPERA	GUIDE014	3
34	5	COLLAR 5/8"	COLLAR004	
35	1	COMP. SPRING 0.816" ID - 1.812" L.	SPRING012	0
36	1	DISC. ARM MSJ/GHXP	LEVER075	1
37	1	DISC. ARM SOLENOID GHX	LEVER074	4
38	1	DISCONNECT CHAIN 5" LONG	CHAIN082	
39	1	EXT. SPRING 0.312" OD - 1.8" L. ZP	SPRING026	
40	1	EXTENSION SPRING E480-063-3275	SPRING027	
41	2	EXTERNAL 3/4 RETAINING RING	CLIP006	
42	1	EXTERNAL 5/8 RETAINING RING	CLIP024	
43	7	FLANGE BUSHING 5/8-3/4-1/2	BUSHING002	
44	1	GH BRAKE SUPPORT	FRAME032	6
45	1	GH FRONT COVER GREEN	COVER019	
46	1	GH HOIST DISCONNECT LEVER	LEVER003	8
47	1	GH-MGH-RCGH ADJUST BRAKE LEVER	LEVER052	1
48	10	HELICAL SPRING LOCK WASHER 1/4 ZP	WASHER026	
49	4	HELICAL SPRING LOCK WASHER 3/8 ZP	WASHER030	
50	4	HELICAL SPRING LOCK WASHER 5/16 ZP	WASHER028	
51	2	HELICAL SPRING LOCK WASHER NO 6 ZP	WASHER023	
52	1	KEY 3/16 X 1/2	KW031	5
53	1	KEY 3/16 X 3/4	KW010	5
54	1	LIMIT BOX SUPPORT B.GHM	BRACKET013	7
55	2	LIMIT CAM 5/8-24UNEF	CAM004	
56	1	LIMIT SHAFT 5/8-24 X12.5	SHAFT064	1
57	1	MOTOR	MOTOR	
58	1	NEEDLE ROLLER THRUST BEAR. ID 5/8"	BEARING023	
59	1	OGH HOIST SHAFT	SHAFT115	3
60	1	OPERA POCKETWHEEL	POCKETWHEEL005	2
61	2	PIN SLOTTED SPRING 1/4 x 2	PIN011	
62	1	REDUCER	REDUCER025	0
63	2	S HOOK	HOOK001	
64	2	SINGLE SWIVEL PULLEY 1.0	PULLEY016	
65	1	STEEL BRAKE DRUM ID 0.626	DRUM005	2
66	2	THRUST WASHER ID 5/8" OD 1-1/8"	BEARING024	
67	1	TYPE A PLAIN WASHER 1/4 N ZP	WASHER004	0
68	1	TYPE A PLAIN WASHER 1/4 W ZP	WASHER007	0
69	3	TYPE A PLAIN WASHER 3/16 ZP	WASHER003	0
70	2	TYPE A PLAIN WASHER 3/8 W ZP	WASHER010	0

PART DESCRIPTION

GH NEMA 7/9

PART NUMBER GHX-XXXX-XXXX	MANARAS-OPERA 138 ONEIDA DRIVE POINTE-CLAIRE, QC, H9R 1A8 TEL: 1-800-361-2260 FAX: 1-888-626-0606	
DRAWN BY: J.PROULX	DATE: 2017.01.13	
UPDATED BY: D.WANG	DATE: 2020.07.28	

SHEET: 1 of 1

CONFIDENTIAL: THIS DRAWING AND/OR THE INFORMATION CONTAINED HEREIN IS AND REMAINS THE SOLE PROPERTY OF, AND IS PROPRIETARY TO, MANARAS-OPERA. THIS DRAWING AND/OR INFORMATION SHALL BE KEPT CONFIDENTIAL AND MAY NOT BE REPRODUCED, COPIED, MODIFIED, DISCLOSED, TRANSFERRED, OR MADE AVAILABLE TO OTHERS, EXCEPT WITH THE EXPRESS CONSENT OF MANARAS-OPERA. IT IS LOANED IN CONFIDENCE FOR MUTUAL ASSISTANCE PURPOSES ONLY. MANARAS-OPERA MAY AT ANY TIME, WRITTEN MODIFY THE DRAWING AND/OR INFORMATION CONTAINED HEREIN.