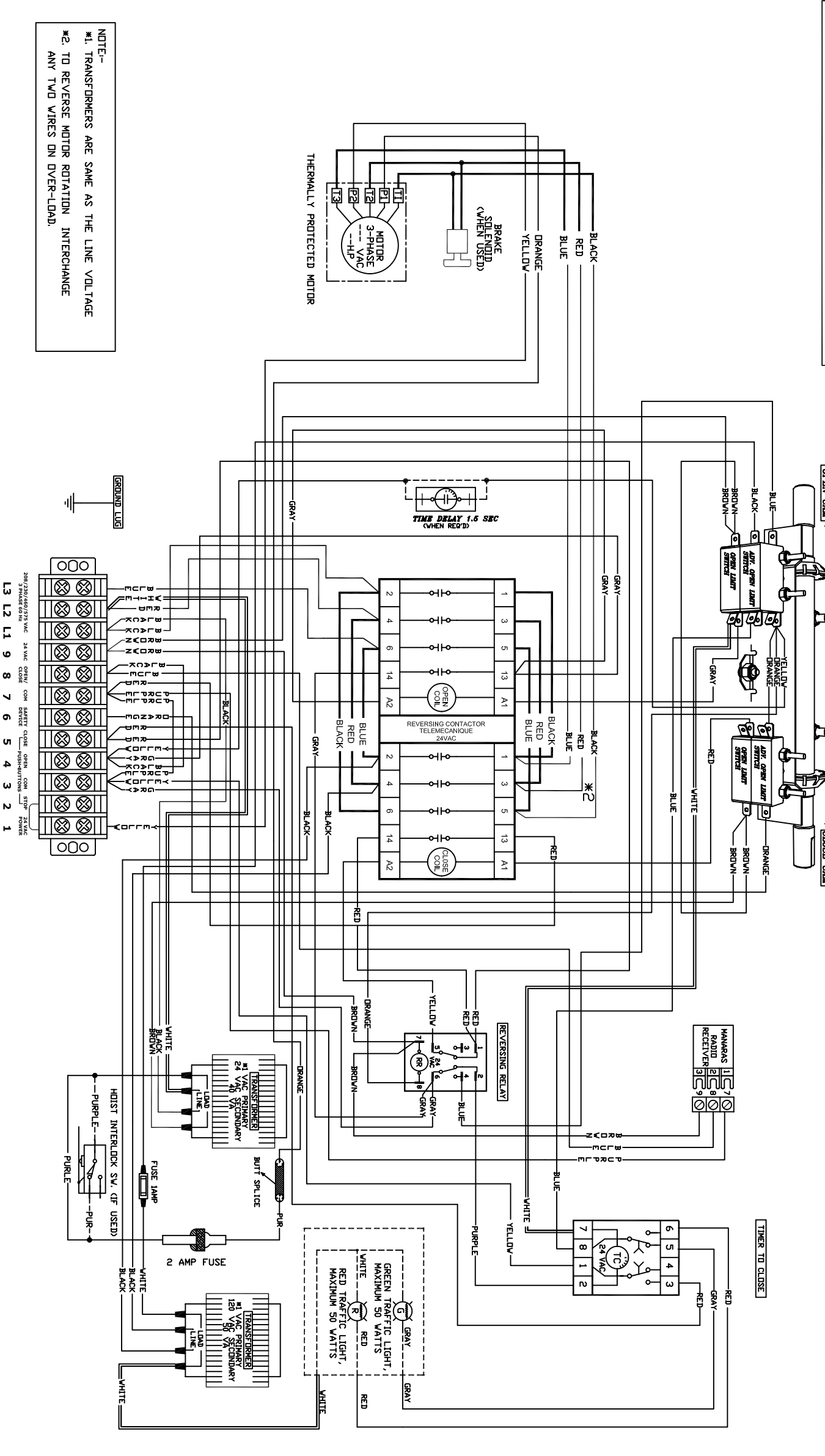
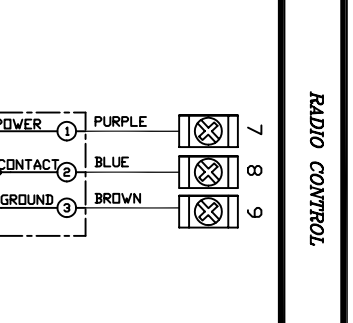
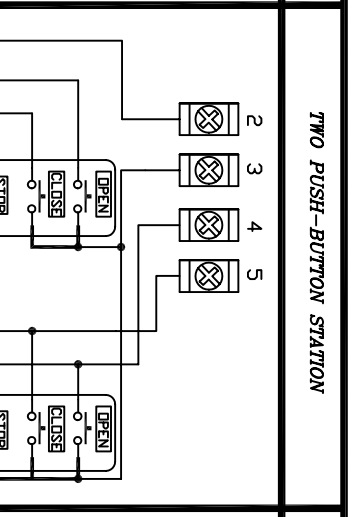
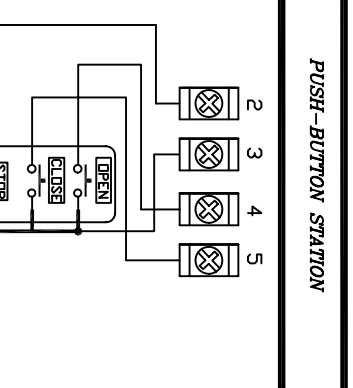


DRAWING-M33MABJJ-W



NOTE:-
 #1. TRANSFORMERS ARE SAME AS THE LINE VOLTAGE
 #2. TO REVERSE MOTOR ROTATION INTERCHANGE
 ANY TWO WIRES ON OVER-LOAD.

LINE POWER	24 VAC POWER	EXTERNAL INTERLOCK	SAFETY REVERSE	OPEN DOOR DEVICE
L1 L2 L3	1 9	1 2	3 6	7 8
POWER SUPPLY 208/230/460/575 VAC 3 Ph, 60 Hz.	24 VAC POWER AVAILABLE 10VA MAX.	FACTORY INSTALLED JUMPER REMOVE IF EXT. INTERLOCK IS USED.	CONTACT FOR SAFETY EDGE/SAFETY DEVICE	CONTACT FOR OPEN DOOR DEVICE.



ON SITE MODIFICATIONS

1 CONSTANT PRESSURE CLOSE

1. REMOVE THE RED WIRE FROM TERMINAL #7 AND PLACE IT ON TERMINAL # 5

2 CONSTANT PRESSURE OPEN

1. REMOVE THE GRAY WIRE FROM TERMINAL #3 AND PLACE IT ON TERMINAL # 4

3 WIRING FOR INSTANT STOP (ON SAFETY EDGE OR DEVICE)

1. REMOVE THE YELLOW WIRE FROM ADV. OPEN LIMIT SWITCH, AND CAP IT.
 2. REMOVE THE BLUE WIRE FROM PIN # 4 OR REVERSING RELAY(RR) AND CAP IT.

4 ADDING A TIME DELAY ON REVERSE C/W TIMER TO CLOSE

1. REMOVE THE YELLOW WIRE FROM THIS ADV. OPEN LIMIT SWITCH, CONNECT WIRE TO ONE END OF TIME-DELAY.
 2. FROM OTHER END OF THE TIME-DELAY SWITCH CONNECT TO ADV. OPEN TERMINAL #4 AND #8.
 3. REMOVE THE BLACK JUMPER FROM TERMINAL #4 AND #8.
 4. MAKE A NEW WIRE FROM OF RR RELAY.

5 CONSTANT PRESSURE OPEN & CLOSE - DI

PERFORM THE MODIFICATION EXPLAINED IN THE NOTES, 1 2 AND 3

6 ANY OTHER OPTIONS

FOR ANY OTHER OPTIONS LIKE, TIMER TO CLOSE, MID-STOP WIRING, LONG DISTANCE MODULE, OR ANY OTHER SPECIAL LOGIC SEQUENCE PLEASE CONSULT MANARAS/OPERA.

WIRING DIAGRAM FOR, MGH/MGT/MTM/MTBH 208/460/575 VAC, 3 PHASE MOTORS

TITLE	M33MABJJ-W	DES	BP	REV	12. FEB. 2007
PROJECT					
CLIENT					
ENGINEER					
DISTRIBUTOR					

MANARAS-OPERA
 136 ONEIDA DRIVE
 POINTE-CLAIRE, OC H9R 1A8
 TEL: 1-800-361-2260
 FAX: 1-888-626-0606

ATTENTION- USE 18AWG OR HIGHER FOR WIRING ALL EXTERNAL CONNECTIONS