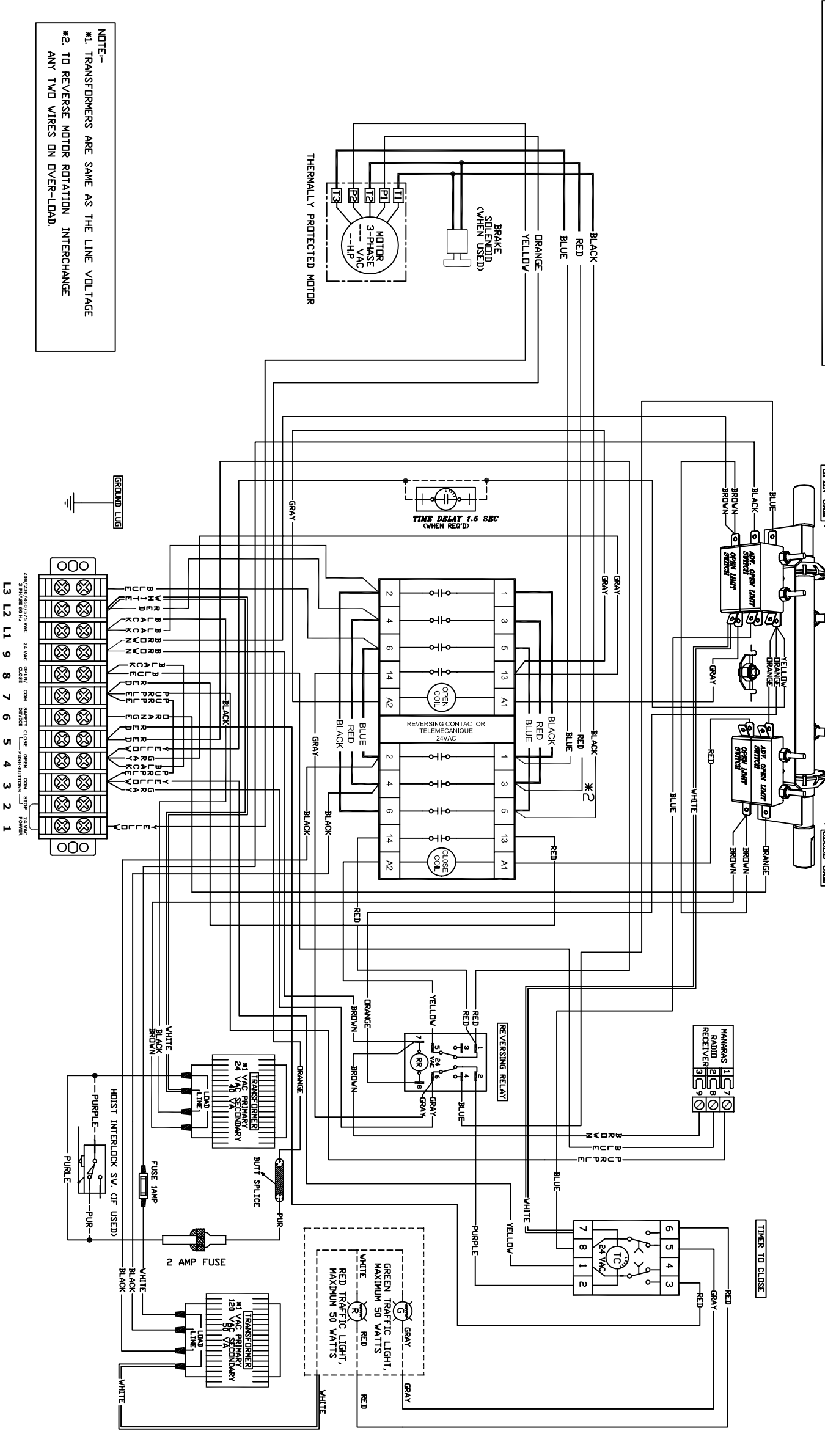


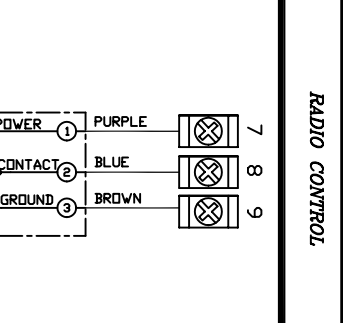
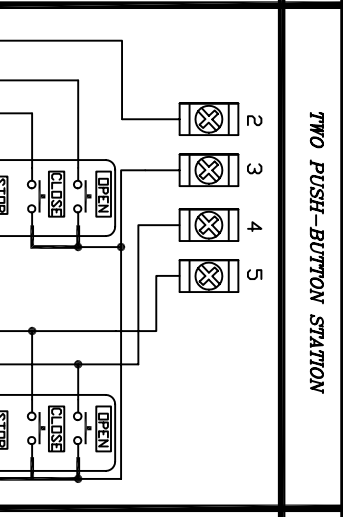
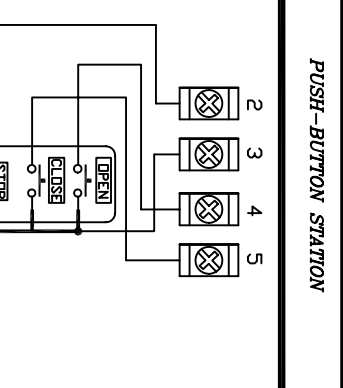
DRAWING-M33MABJJ-W



NOTE:-
 #1. TRANSFORMERS ARE SAME AS THE LINE VOLTAGE
 #2. TO REVERSE MOTOR ROTATION INTERCHANGE ANY TWO WIRES ON OVER-LOAD.

LINE POWER	24 VAC POWER	EXTERNAL INTERLOCK	SAFETY REVERSE	OPEN DOOR DEVICE
L1 L2 L3	1 9	1 2	3 6	7 8

POWER SUPPLY 208/230/460/575 VAC 3 Ph, 60 Hz.
 24 VAC POWER AVAILABLE 10VA MAX.
 FACTORY INSTALLED JUMPER REMOVE IF EXT. INTERLOCK IS USED.
 CONTACT FOR SAFETY EDGE/SAFETY DEVICE.
 CONTACT FOR OPEN DOOR DEVICE.



ON SITE MODIFICATIONS
 1 CONSTANT PRESSURE CLOSE
 1. REMOVE THE RED WIRE FROM TERMINAL # 7 AND PLACE IT ON TERMINAL # 5

2 CONSTANT PRESSURE OPEN
 1. REMOVE THE GRAY WIRE FROM TERMINAL # 3 AND PLACE IT ON TERMINAL # 4

3 WIRING FOR INSTANT STOP (ON SAFETY EDGE OR DEVICE)
 1. REMOVE THE YELLOW WIRE FROM ADV. OPEN LIMIT SWITCH, AND CAP IT.
 2. REMOVE THE BLUE WIRE FROM PIN # 4 OR REVERSING RELAY(RR) AND CAP IT.

4 ADDING A TIME DELAY ON REVERSE C/W TIMER TO CLOSE
 1. REMOVE THE YELLOW WIRE FROM THIS ADV. OPEN LIMIT SWITCH, CONNECT WIRE TO ONE END OF TIME-DELAY.
 2. FROM OTHER END OF THE TIME-DELAY SWITCH BACK TO ADV. OPEN TERMINAL #4 AND #8.
 3. REMOVE THE BLACK JUMPER FROM TERMINAL #4 AND #8.
 4. MAKE A NEW WIRE FROM OF RR RELAY AND CONNECT TO PIN #8 OF RR RELAY.

5 CONSTANT PRESSURE OPEN & CLOSE - DI
 PERFORM THE MODIFICATION EXPLAINED IN THE NOTES, 1 2 AND 3

6 ANY OTHER OPTIONS
 FOR ANY OTHER OPTIONS LIKE, TIMER TO CLOSE, MID-STOP WIRING, LONG DISTANCE MODULE, OR ANY OTHER SPECIAL LOGIC SEQUENCE PLEASE CONSULT MANARAS/OPERA.

WIRING DIAGRAM FOR, MGH/MGT/MTB/MTBH
 208/460/575 VAC, 3 PHASE MOTORS

TITLE	DES	REV	DATE
M33MABJJ-W	BP	E	12. FEB. 2007
PROJECT	136 ONENIDA DRIVE POINTE-CLAIRE, OC H9R 1A8 TEL: 1-800-361-2260 FAX: 1-888-626-0606		
CLIENT	MANARAS-OPERA		
ENGINEER	DISTRIBUTOR		



ATTENTION- USE 18AWG OR HIGHER FOR WIRING ALL EXTERNAL CONNECTIONS

NOTE- PLACE A JUMPER BETWEEN TERMINAL 2 AND TERMINAL 3, IF STOP BUTTON IS NOT USED.