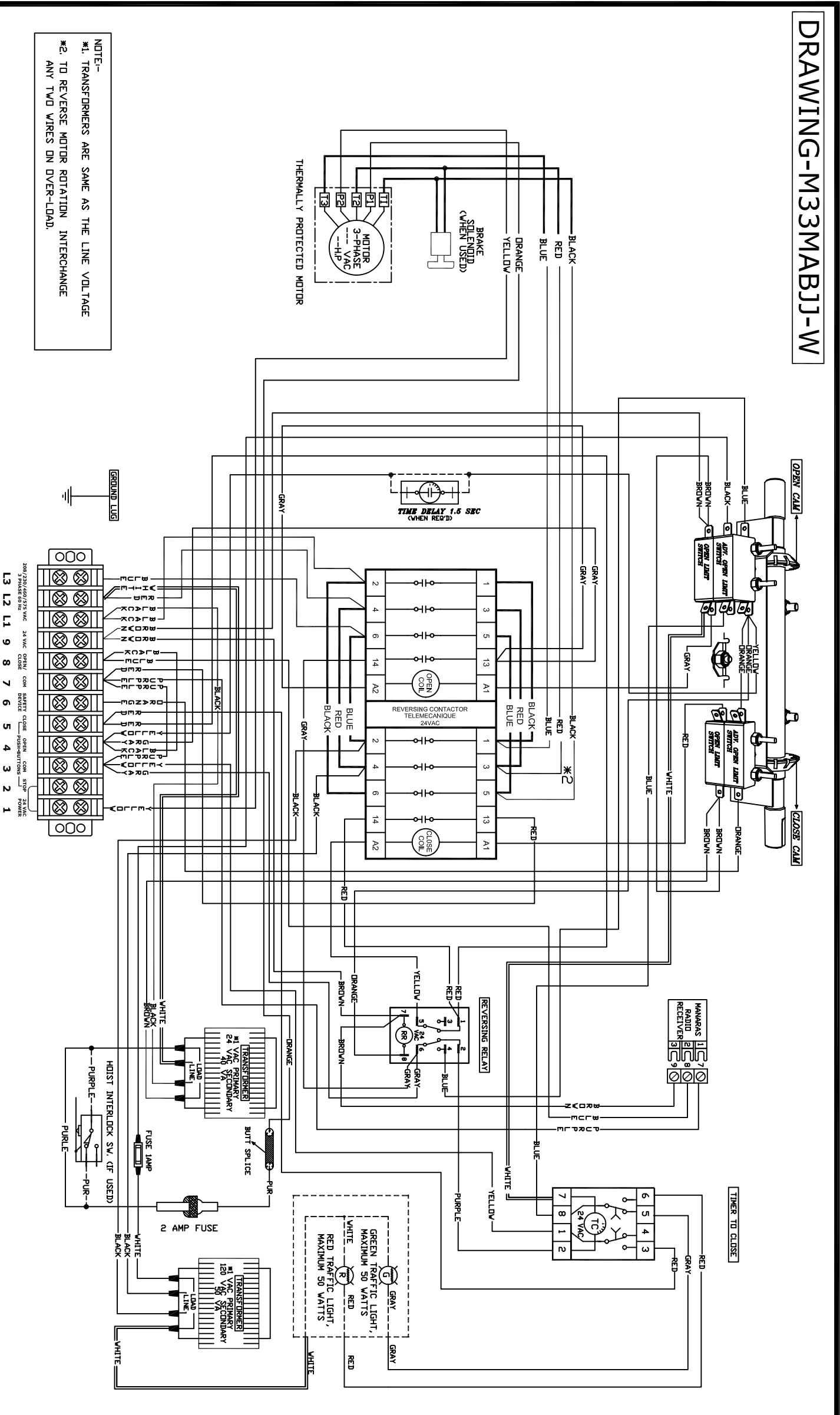


DRAWING-M33MABJJ-W



NOTE:-
 #1. TRANSFORMERS ARE SAME AS THE LINE VOLTAGE
 #2. TO REVERSE MOTOR ROTATION INTERCHANGE
 ANY TWO WIRES ON OVER-LOAD.

LINE POWER	24 VAC POWER	EXTERNAL INTERLOCK	SAFETY REVERSE	OPEN DOOR DEVICE
L1 L2 L3	1 9	1 2	3 6	7 8

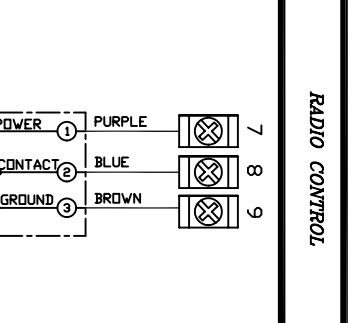
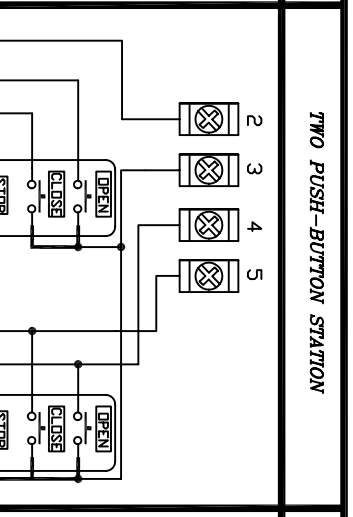
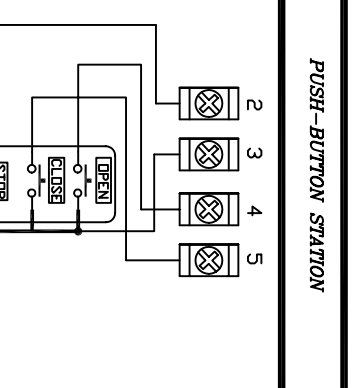
POWER SUPPLY
208/230/460/575 VAC
3 Ph, 60 Hz.

24 VAC POWER
AVAILABLE 10VA MAX.

FACTORY INSTALLED JUMPER
REMOVE IF EXT. INTERLOCK
IS USED.

CONTACT FOR
SAFETY EDGE/SAFETY DEVICE

CONTACT FOR
OPEN DOOR DEVICE.



ON SITE MODIFICATIONS

- CONSTANT PRESSURE CLOSE
1. REMOVE THE RED WIRE FROM TERMINAL # 7 AND PLACE IT ON TERMINAL # 5
- CONSTANT PRESSURE OPEN
1. REMOVE THE GRAY WIRE FROM TERMINAL # 3 AND PLACE IT ON TERMINAL # 4
- WIRING FOR INSTANT STOP (ON SAFETY EDGE OR DEVICE)
1. REMOVE THE YELLOW WIRE FROM ADV. OPEN LIMIT SWITCH, AND CAP IT.
2. REMOVE THE BLUE WIRE FROM PIN # 4 OR REVERSING RELAY(RR) AND CAP IT.
- ADDING A TIME DELAY ON REVERSE C/W TIMER TO CLOSE
1. REMOVE THE YELLOW WIRE FROM THIS ADV. OPEN LIMIT SWITCH, CONNECT WIRE TO ONE END OF TIME-DELAY.
2. FROM OTHER END OF THE TIME-DELAY SWITCH CONNECT TO ADV. OPEN TERMINAL #4 AND #8.
3. REMOVE THE BLACK JUMPER FROM TERMINAL #4 AND #8.
4. MAKE A NEW WIRE FROM OF RR RELAY, AND CONNECT TO PIN #8 OF RR RELAY.
- CONSTANT PRESSURE OPEN & CLOSE - DI
PERFORM THE MODIFICATION EXPLAINED IN THE NOTES, 1 2 AND 3
- ANY OTHER OPTIONS
FOR ANY OTHER OPTIONS LIKE, TIMER TO CLOSE, MID-STOP WIRING, LONG DISTANCE MODULE, OR ANY OTHER SPECIAL LOGIC SEQUENCE, PLEASE CONSULT MANARAS/OPERA.

WIRING DIAGRAM FOR, MGH/MGT/MTM/MTBH
 208/460/575 VAC, 3 PHASE MOTORS

TITLE	DES	REV	DATE
M33MABJJ-W	BP	E	12. FEB. 2007
PROJECT			
CLIENT			
ENGINEER			
DISTRIBUTOR			
MANARAS-OPERA 136 ONEIDA DRIVE POINTE-CLAIRE, OC H9R 1A8 TEL: 1-800-361-2260 FAX: 1-888-626-0606			



ATTENTION- USE 18AWG OR HIGHER FOR WIRING ALL EXTERNAL CONNECTIONS