

71	1	TOP DISCONNECT LEVER GH	LEVER062	4
72	1	TROLLEY ARM DISCONNec SPRING	SPRING026	
73	1	TYPE A PLAIN WASHER 1/4 W ZP	WASHER007	
74	1	TYPE A PLAIN WASHER 3/4 N ZP	WASHER015	
75	6	TYPE A PLAIN WASHER 5/16 W ZP	WASHER008	
76	3	TYPE A PLAIN WASHER 5/8 N ZP	WASHER014	

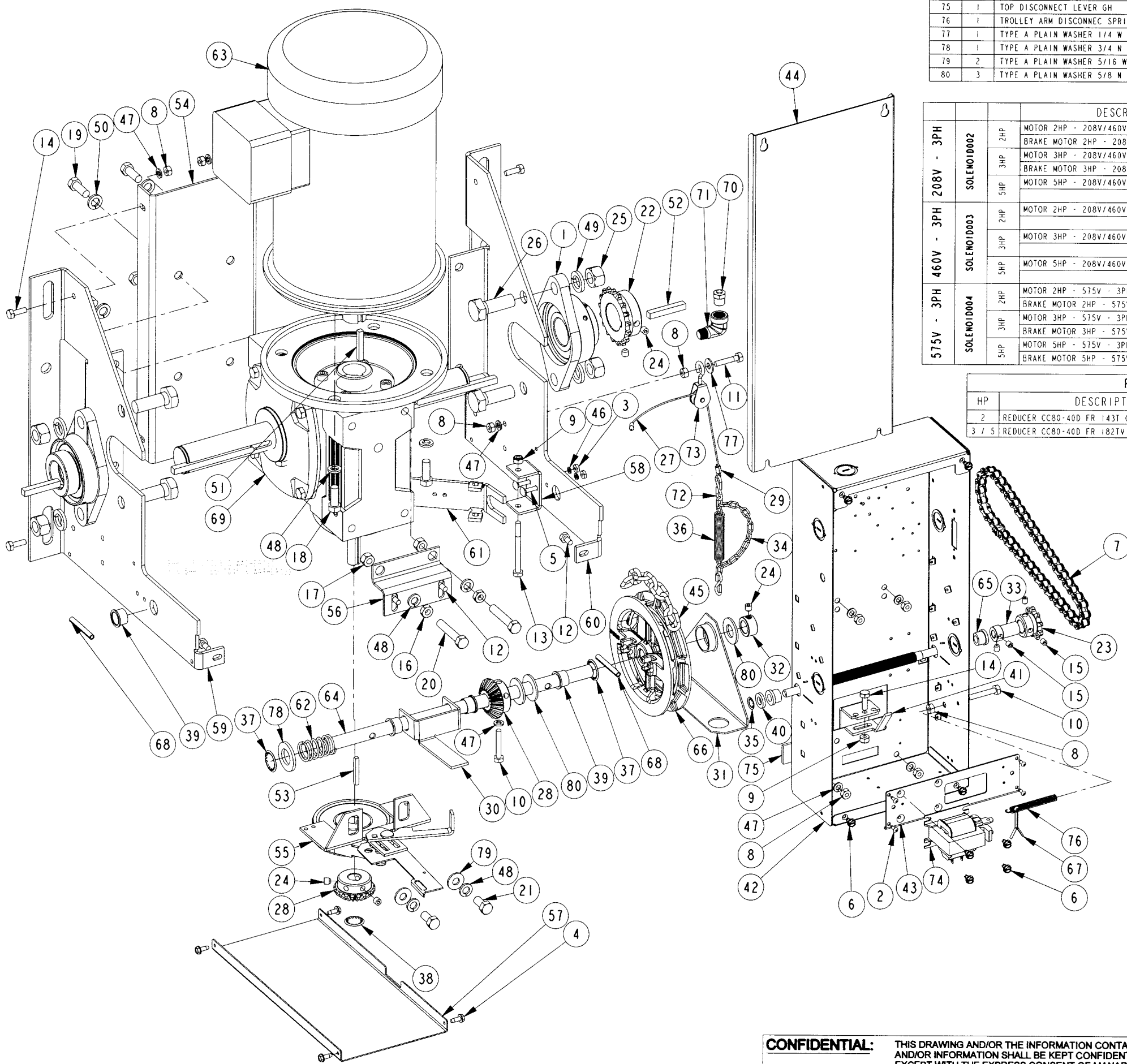
		DESCRIPTION	# MANARAS
120V - 1PH	SOLENOID0001	MOTOR 1/2HP - 120V/230V - 1PH	MOTOR336
		1PH - 10 AMPS RESET	RESETO07
		MOTOR 3/4HP - 120V/230V - 1PH	MOTOR337
		1PH - 12 AMPS RESET	RESETO09
		MOTOR 1HP - 120V/230V - 1PH	MOTOR350
		1PH - 17 AMPS RESET	RESETO14
230V - 1PH	SOLENOID0002	MOTOR 1.5HP - 120V/230V - 1PH	MOTOR355
		1PH - 22 AMPS RESET	RESETO17
		MOTOR 1/2HP - 120V/230V - 1PH	MOTOR336
		1PH - 5 AMPS RESET	RESETO02
		MOTOR 3/4HP - 120V/230V - 1PH	MOTOR337
		1PH - 6 AMPS RESET	RESETO03
208V 3PH	SOLENOID0003	MOTOR 1HP - 120V/230V - 1PH	MOTOR350
		1PH - 8 AMPS RESET	RESETO05
		MOTOR 1.5HP - 120V/230V - 1PH	MOTOR355
		1PH - 11 AMPS RESET	RESETO08
		MOTOR 1/2HP - 208V/460V - 3PH	MOTOR357
		MOTOR 3/4HP - 208V/460V - 3PH	MOTOR358
460V 3PH	SOLENOID0003	MOTOR 1HP - 208V/460V - 3PH	MOTOR359
		BRAKE MOTOR 1HP - 208V/460V - 3PH	MOTOR226
		MOTOR 1.5HP - 208V/460V - 3PH	MOTOR361
		MOTOR 1/2HP - 208V/460V - 3PH	MOTOR357
		MOTOR 3/4HP - 208V/460V - 3PH	MOTOR358
		MOTOR 1HP - 208V/460V - 3PH	MOTOR359
575V 3PH	SOLENOID0004	BRAKE MOTOR 1HP - 208V/460V - 3PH	MOTOR226
		MOTOR 1.5HP - 208V/460V - 3PH	MOTOR361
		MOTOR 3/4HP - 575V - 3PH	MOTOR384
		MOTOR 3/4HP - 575V - 3PH	MOTOR384
		MOTOR 1HP - 575V - 3PH	MOTOR385
		BRAKE MOTOR 1HP - 575V - 3PH	MOTOR398
MOTOR 1.5HP - 575V - 3PH	MOTOR386		

No	Qty	DESCRIPTION	# MANARAS	REV
1	6	6-32 X 3/8 TYPE T S-TAP. SCREW	SCREW094	
2	2	10-24 HEX NUT ZP	NUT004	
3	4	10-24 X 1/2 TYPE F S-TAP. SCREW	SCREW067	
4	2	10-24 X 3/4 RND HD SQ NECK BOLT	BOLT056	
5	8	10-24 X 3/8 TYPE T S-TAP. SCREW	SCREW022	
6	1	#410-1R48P(INCL. IC/L)	USE CHAIN058	
7	7	1/4-20 HEX NUT ZP	NUT006	
8	2	1/4-20 HEX NYLON LOCK NUT ZP	NUT020	
9	2	1/4-20 X 1-1/2 HEX BOLT	BOLT010	
10	1	1/4-20 X 1-1/4 HEX BOLT	BOLT007	
11	4	1/4-20 X 1/2 HEX BOLT	BOLT001	
12	1	1/4-20 X 2-3/4 HEX BOLT	BOLT014	
13	1	1/4-20 X 3/4 HEX BOLT	BOLT002	
14	4	1/4-20 X 5/16 SET SCREW	SCREW001	
15	4	1/4-28 X 1/4 SET SCREW (INCL. W/ BEARING013)	SET SCREW	
16	2	3/8-16 HEX JAM NUT ZP	NUT009	
17	4	3/8-16 HEX NUT ZP	NUT010	
18	6	3/8-16 X 1 HEX BOLT	BOLT023	
19	4	3/8-16 X 1-1/2 HEX BOLT	BOLT027	
20	6	3/8-16 X 3/4 HEX BOLT	BOLT022	
21	1	410B18 X 1-1/4 K1/4 2S5/16-18	SPR410B18X1/4	2
22	1	410B9 X 5/8 K3/16 2S1/4-20 CR	SPR410B9X5/8	1
23	5	5/16-18 X 5/16 SET SCREW	SCREW003	
24	1	7X7 1/16" X 16"	CABLE012	
25	2	BEARING CAST IRON 1 1/4 X 1 5/8	BEARING013	
26	2	BEVEL GEAR GH MGH 5/8 20TH	GEAR001	2
27	1	CABLE SLEEVE 1/16"	SLEEVE001	
28	1	CARRIER DISCONNECT BRACKET	LEVER063	4
29	1	CHAIN GUIDE OPERA	GUIDE014	2
30	1	COLLAR 5/8"	COLLAR004	
31	1	COUPLING CLUTCH OGH	COUPLING017	0
32	1	DISCONNECT CHAIN 5" LONG	CHAIN082	
33	1	EXT. SELF-LOCKING RET. RING 3/8" CURVED RIM	CLIP021	
34	1	EXTENSION SPRING E480-063-3275	SPRING027	
35	2	EXTERNAL 3/4 RETAINING RING	CLIP006	
36	1	EXTERNAL 5/8 RETAINING RING	CLIP024	
37	4	FLANGE BUSHING 5/8-3/4-1/2	BUSHING002	
38	1	FLT WASHER 3/8 (.391X.750X.130) ZP	WASHER064	
39	1	GH SELF ENG LEVER EXTEN B	BRACKET082	4
40	1	GH-MGH CONTROL BOX	CBOX033	5
41	1	GH-MGH CONTROL BOX BRACKET	BRACKET234	4
42	1	GH-MGH CONTROL BOX COVER	COVER056	3
43	1	HAND CHAIN 31.4-19.5-1000	CHAIN002	
44	2	HELICAL SPRING LOCK WASH NO 10 ZP	WASHER025	
45	6	HELICAL SPRING LOCK WASHER 1/4 ZP	WASHER026	
46	16	HELICAL SPRING LOCK WASHER 3/8 ZP	WASHER030	
47	1	KEY 3/16 X 1-1/2 ROUNDED ENDS	KW013	5
48	1	KEY 3/16 X 1.375 (INCL. W/MOTOR)	KEY_MOTOR	5
49	2	KEY 5/16 X 2.00 (INCL. W/REDUCER)	KEY_REDUCER	5
50	1	MGH BAND BRAKE KIT	BRAKE012	
51	1	MGH CONTROL BOX MNGT BRACKET	BRACKET011	3
52	1	MGH FRONT COVER	COVER017	4
53	1	MGH HOIST DISC LEVER BR	BRACKET001	3
54	1	MGH LEFT FRAME 1HP	FRAME006	10
55	1	MGH RIGHT FRAME 1HP	FRAME005	10
56	1	MHG HOIST DISCONNECT LEVER GRN	LEVER001	5
57	1	MJ DISCONNECT HOIST SPRING	SPRING012	
58	1	MOTOR	SEE TABLE	
59	1	OGH HOIST SHAFT	SHAFT115	2
60	2	OPERA LIMIT SHAFT BUSHING	BUSHING055	1
61	1	OPERA POCKETWHEEL	POCKETWHEEL005	2
62	1	PIN COTTER 1/8 X 1-1/2	PIN001	
63	2	PIN SLOTTED SPRING 1/4 X 2	PIN011	
64	1	RADIO CONTROL TERM STRIP	TSTRIP005	
65	1	REDUCER BREATHER	REDUCER_BREATHER	
66	1	REDUCER BREATHER ELBOW	REDUCER_ELBOW	
67	1	REDUCER CC63-40D FRAME 56	REDUCER030	2
68	2	S HOOK	HOOK001	
69	1	SINGLE SWIVEL PULLEY 1.0	PULLEY016	
70	1	SOLENOID	SEE TABLE	

PART DESCRIPTION
MGH 1/2, 3/4, 1 & 1-1/2 HP

PART NUMBER MGH-XXXX-XXXX	MANARAS-OPERA 136 ONEIDA DRIVE POINTE-CLAIRE, QC, H9R 1A8 TEL: 1-800-361-2260 FAX: 1-888-626-0606
DRAWN BY: LFM	
DATE: 2010-11-30	
UPDATED BY: J. PROULX	
DATE: 2013-01-21	SHEET: 1 of 2

CONFIDENTIAL: THIS DRAWING AND/OR THE INFORMATION CONTAINED HEREIN IS AND REMAINS THE SOLE PROPERTY OF, AND IS PROPRIETARY TO, MANARAS-OPERA. THIS DRAWING AND/OR INFORMATION SHALL BE KEPT CONFIDENTIAL AND MAY NOT BE REPRODUCED, COPIED, MODIFIED, DISCLOSED, TRANSFERRED, OR MADE AVAILABLE TO OTHERS, EXCEPT WITH THE EXPRESS CONSENT OF MANARAS-OPERA. IT IS LOANED IN CONFIDENCE FOR MUTUAL ASSISTANCE PURPOSES ONLY. MANARAS-OPERA MAY AT ANY TIME, WRITTEN MODIFY THE DRAWING AND/OR INFORMATION CONTAINED HEREIN.



No	Qty	DESCRIPTION	# MANARAS	REV
71	1	REDUCER BREATHER ELBOW	REDUCER_ELBOW	
72	2	S HOOK	HOOK001	
73	1	SINGLE SWIVEL PULLEY 1.0	PULLEY016	
74	1	SOLENOID	SEE TABLE	
75	1	TOP DISCONNECT LEVER GH	LEVER062	4
76	1	TROLLEY ARM DISCONNec SPRING	SPRING026	
77	1	TYPE A PLAIN WASHER 1/4 W ZP	WASHER007	
78	1	TYPE A PLAIN WASHER 3/4 N ZP	WASHER015	
79	2	TYPE A PLAIN WASHER 5/16 W ZP	WASHER008	
80	3	TYPE A PLAIN WASHER 5/8 N ZP	WASHER014	

HP	DESCRIPTION	# MANARAS
3PH 208V	MOTOR 2HP - 208V/460V - 3PH	MOTOR383
	SOLENOID002	
	SOLENOID003	
	SOLENOID004	
3PH 460V	MOTOR 2HP - 208V/460V - 3PH	MOTOR383
	MOTOR 3HP - 208V/460V - 3PH	MOTOR051
	MOTOR 5HP - 208V/460V - 3PH	MOTOR053
	MOTOR 2HP - 575V - 3PH	MOTOR387
3PH 575V	SOLENOID002	
	SOLENOID003	
	SOLENOID004	
	MOTOR 2HP - 575V - 3PH	MOTOR141
3PH 575V	MOTOR 3HP - 575V - 3PH	MOTOR078
	MOTOR 5HP - 575V - 3PH	MOTOR080
	MOTOR 2HP - 575V - 3PH	MOTOR141
	MOTOR 3HP - 575V - 3PH	MOTOR078
MOTOR 5HP - 575V - 3PH	MOTOR080	

HP	DESCRIPTION	# MANARAS
2	REDUCER CC80-40D FR 143T GN	REDUCER007
3 / 5	REDUCER CC80-40D FR 182TV GN	REDUCER008

No	Qty	DESCRIPTION	# MANARAS	REV
1	2	1-3/8 BOLT FLG BEARING	BEARING015	
2	4	6-32 X 3/8 TYPE T S-TAP. SCREW	SCREW094	
3	2	10-24 HEX NUT ZP	NUT004	
4	4	10-24 X 1/2 TYPE F S-TAP. SCREW	SCREW067	
5	2	10-24 X 3/4 RND HD SO NECK BOLT	BOLT056	
6	8	10-24 X 3/8 TYPE T S-TAP. SCREW	SCREW022	
7	1	#41-1R50P(INCL. IC/L)	USE CHAIN020	
8	11	1/4-20 HEX NUT ZP	NUT006	
9	2	1/4-20 HEX NYLON LOCK NUT ZP	NUT020	
10	2	1/4-20 X 1-1/2 HEX BOLT	BOLT010	
11	1	1/4-20 X 1-1/4 HEX BOLT	BOLT007	
12	4	1/4-20 X 1/2 HEX BOLT	BOLT001	
13	1	1/4-20 X 2-3/4 HEX BOLT	BOLT014	
14	5	1/4-20 X 3/4 HEX BOLT	BOLT002	
15	4	1/4-20 X 5/16 SET SCREW	SCREW001	
16	2	3/8-16 HEX JAM NUT ZP	NUT009	
17	2	3/8-16 HEX NUT ZP	NUT010	
18	4	3/8-16 X 1 HEX BOLT	BOLT023	
19	4	3/8-16 X 1 HEXBOLT(INCL. W/ REDUCER)	BOLT_REDUCER	
20	2	3/8-16 X 2 HEX BOLT	BOLT070	
21	2	3/8-16 X 3/4 HEX BOLT	BOLT022	
22	1	41B17-1 K5/16-2S5/16-18	SPR41B17X13/8	0
23	1	41B9 X 5/8 K3/16 2S1/4-20 CR	SPR41B9X5/8	4
24	5	5/16-18 X 5/16 SET SCREW	SCREW003	
25	4	5/8-11 HEX NUT ZP	NUT012	
26	4	5/8-11 X 1-3/4 HEX BOLT	BOLT102	
27	1	7X7 1/16" X 16"	CABLE012	
28	2	BEVEL GEAR GH MGH 5/8 20TH	GEAR001	2
29	1	CABLE SLEEVE 1/16"	SLEEVE001	
30	1	CARRIER DISCONNECT BRACKET	LEVER063	4
31	1	CHAIN GUIDE OPERA	GUIDE014	2
32	1	COLLAR 5/8"	COLLAR004	
33	1	COUPLING CLUTCH OGH	COUPLING017	0
34	1	DISCONNECT CHAIN 5" LONG	CHAIN082	
35	1	EXT. SELF-LOCKING RET. RING 3/8" CURVED RIM	CLIP021	
36	1	EXTENSION SPRING E480-063-3275	SPRING027	
37	2	EXTERNAL 3/4 RETAINING RING	CLIP006	
38	1	EXTERNAL 5/8 RETAINING RING	CLIP024	
39	4	FLANGE BUSHING 5/8-3/4-1/2	BUSHING002	
40	1	FLT WASHER 3/8 (.391X.750X.130) ZP	WASHER064	
41	1	GH SELF ENG LEVER EXTEN B	BRACKET082	4
42	1	GH-MGH CONTROL BOX	CBOX033	5
43	1	GH-MGH CONTROL BOX BRACKET	BRACKET234	4
44	1	GH-MGH CONTROL BOX COVER	COVER056	3
45	1	HAND CHAIN 31.4-19.5-1000	CHAIN002	
46	2	HELICAL SPRING LOCK WASH NO 10 ZP	WASHER025	
47	10	HELICAL SPRING LOCK WASH 1/4 ZP	WASHER026	
48	8	HELICAL SPRING LOCK WASH 3/8 ZP	WASHER030	
49	4	HELICAL SPRING LOCK WASH 5/8 ZP	WASHER042	
50	4	HELICAL SPRING LOCK WASH 7/16 ZP	WASHER041	
51	1	KEY 1/4 X 1.625 (INCL. W/MOTOR)	KEY_MOTOR	5
52	2	KEY 1/4 X 2.00 (INCL. W/REDUCER)	KEY_REDUCER	5
53	1	KEY 3/16 X 1-1/2 ROUNDED ENDS	KW013	5
54	1	MGH 2HP REDUCER SUPPORT PLATE	PLATE004	3
55	1	MGH BAND BRAKE KIT	BRAKE012	
56	1	MGH CBOX SUPPORT	BRACKET009	2
57	1	MGH FRONT COVER 2HP	COVER015	
58	1	MGH HOIST DISC LEVER BR	BRACKET001	3
59	1	MGH LEFT FRAME	FRAME002	13
60	1	MGH RIGHT FRAME	FRAME001	13
61	1	MHG HOIST DISCONNECT LEVER GRN	LEVER001	5
62	1	MJ DISCONNECT HOIST SPRING	SPRING012	
63	1	MOTOR	MOTOR	
64	1	OGH HOIST SHAFT	SHAFT115	2
65	2	OPERA LIMIT SHAFT BUSHING	BUSHING055	1
66	1	OPERA POCKETWHEEL	POCKETWHEEL005	2
67	1	PIN COTTER 1/8 X 1-1/2	PIN001	
68	2	PIN SLOTTED SPRING 1/4 X 2	PIN011	
69	1	REDUCER	SEE TABLE	3
70	1	REDUCER BREATHER	REDUCER_BREATHER	

PART DESCRIPTION

MGH 2, 3 & 5 HP

PART NUMBER: MGH-XXXX-XXXX
 MANARAS-OPERA
 136 ONEIDA DRIVE
 POINTE-CLAIRE, QC, H9R 1A8
 TEL: 1-800-361-2260
 FAX: 1-888-626-0606

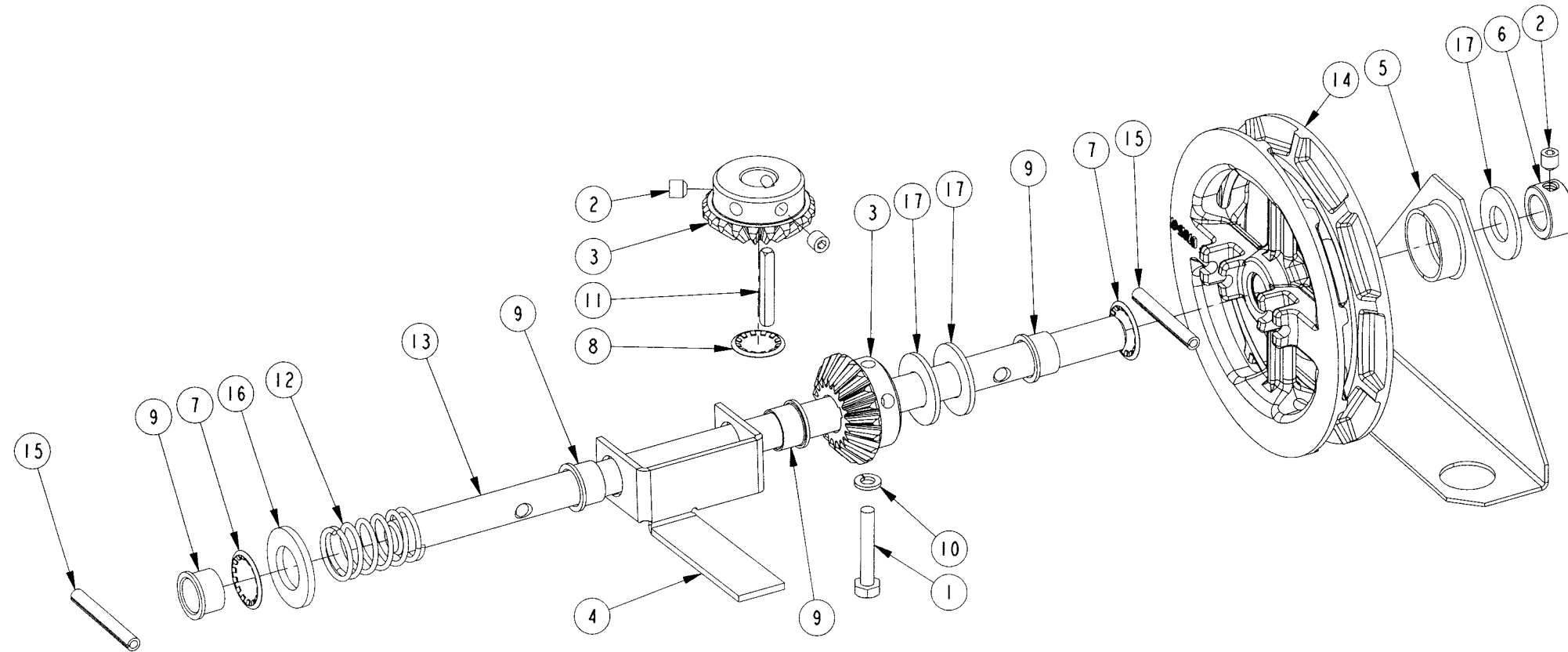
DRAWN BY: LFM
 DATE: 2010-11-30
 UPDATED BY: J. PROULX
 DATE: 2013-01-21

Manaras
Opera

SHEET: 2 of 2

CONFIDENTIAL: THIS DRAWING AND/OR THE INFORMATION CONTAINED HEREIN IS AND REMAINS THE SOLE PROPERTY OF, AND IS PROPRIETARY TO, MANARAS-OPERA. THIS DRAWING AND/OR INFORMATION SHALL BE KEPT CONFIDENTIAL AND MAY NOT BE REPRODUCED, COPIED, MODIFIED, DISCLOSED, TRANSFERRED, OR MADE AVAILABLE TO OTHERS, EXCEPT WITH THE EXPRESS CONSENT OF MANARAS-OPERA. IT IS LOANED IN CONFIDENCE FOR MUTUAL ASSISTANCE PURPOSES ONLY. MANARAS-OPERA MAY AT ANY TIME, WRITTEN MODIFY THE DRAWING AND/OR INFORMATION CONTAINED HEREIN.

No	Qty	DESCRIPTION	# MANARAS	REV
1	1	1/4-20 X 1-1/2 HEX BOLT	BOLT010	
2	3	5/16-18 X 5/16 SET SCREW	SCREW003	
3	2	BEVEL GEAR GH MGH 5/8 20TH	GEAR001	2
4	1	CARRIER DISCONNECT BRACKET	LEVER063	4
5	1	CHAIN GUIDE OPERA	GUIDE014	2
6	1	COLLAR 5/8"	COLLAR004	
7	2	EXTERNAL 3/4 RETAINING RING	CLIP006	
8	1	EXTERNAL 5/8 RETAINING RING	CLIP024	
9	4	FLANGE BUSHING 5/8-3/4-1/2	BUSHING002	
10	1	HELICAL SPRING LOCK WASHER 1/4 ZP	WASHER026	
11	1	KEY 3/16 X 1-1/2 ROUNDED ENDS	KW013	5
12	1	MJ DISCONNECT HOIST SPRING	SPRING012	
13	1	OGH HOIST SHAFT	SHAFT115	2
14	1	OPERA POCKETWHEEL	POCKETWHEEL005	2
15	2	PIN SLOTTED SPRING 1/4 x 2	PIN011	
16	1	TYPE A PLAIN WASHER 3/4 N ZP	WASHER015	
17	3	TYPE A PLAIN WASHER 5/8 N ZP	WASHER014	



PART DESCRIPTION	
GH / MGH HOIST SHAFT KIT	
PART NUMBER	MANARAS-OPERA
MOUNTSHAFT013 (DRAWING008)	136 ONEIDA DRIVE
DRAWN BY: J. PROULX	POINTE-CLAIRE, QC, H9R 1A8
DATE: 2011-01-06	TEL: 1-800-361-2260
UPDATED BY: J. PROULX	FAX: 1-888-626-0606
DATE: 2013-01-21	



SHEET: 1 of 1

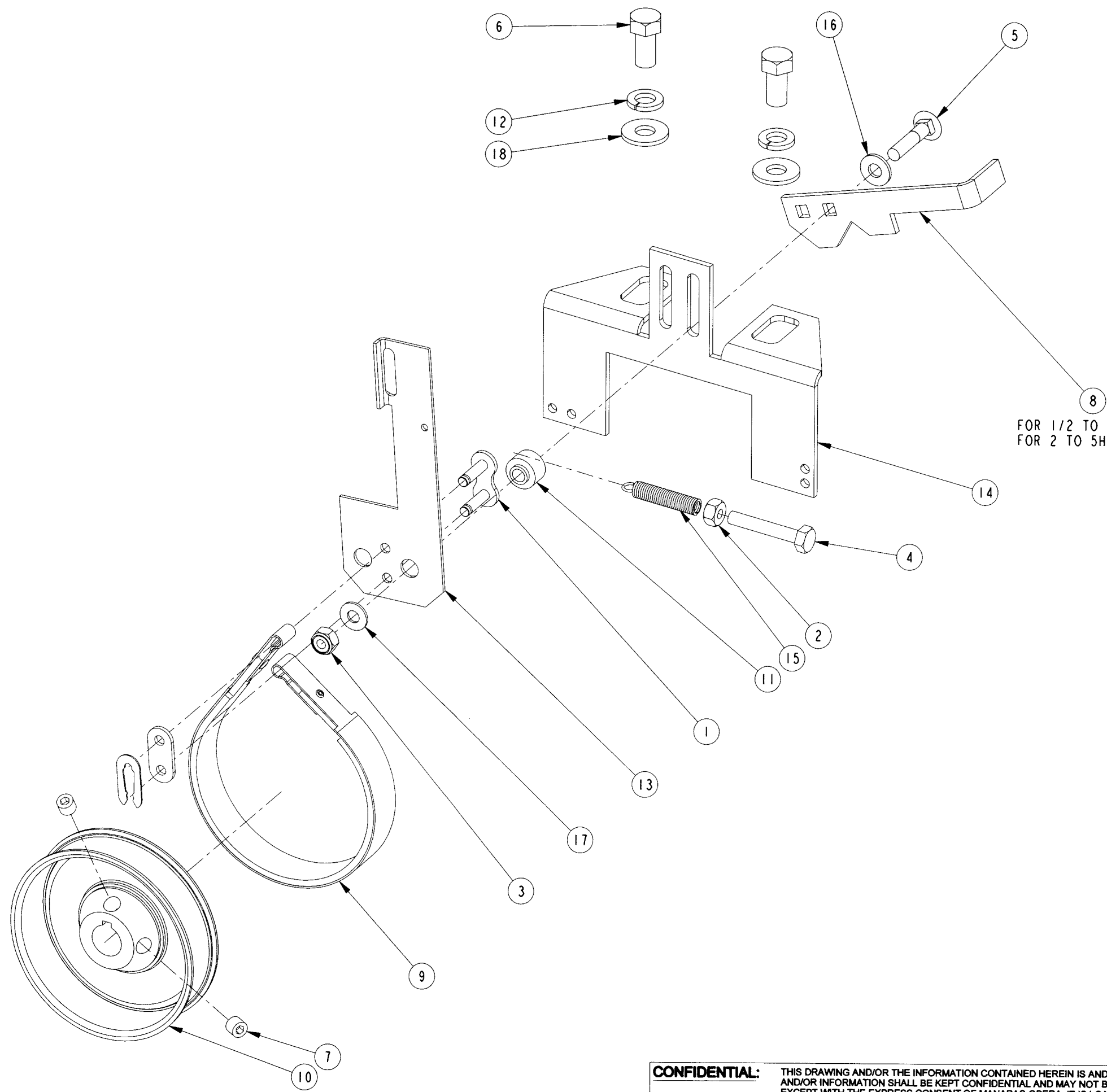
CONFIDENTIAL: THIS DRAWING AND/OR THE INFORMATION CONTAINED HEREIN IS AND REMAINS THE SOLE PROPERTY OF, AND IS PROPRIETARY TO, MANARAS-OPERA. THIS DRAWING AND/OR INFORMATION SHALL BE KEPT CONFIDENTIAL AND MAY NOT BE REPRODUCED, COPIED, MODIFIED, DISCLOSED, TRANSFERRED, OR MADE AVAILABLE TO OTHERS, EXCEPT WITH THE EXPRESS CONSENT OF MANARAS-OPERA. IT IS LOANED IN CONFIDENCE FOR MUTUAL ASSISTANCE PURPOSES ONLY. MANARAS-OPERA MAY AT ANY TIME, WRITTEN MODIFY THE DRAWING AND/OR INFORMATION CONTAINED HEREIN.

No	Qty	DESCRIPTION	# MANARAS	REV
1	1	#50 CONNECTING LINK 50-1	LINK011	
2	1	1/4-20 HEX NUT ZP	NUT006	
3	1	1/4-20 HEX NYLON LOCK NUT ZP	NUT020	
4	1	1/4-20 X 1-1/2 HEX BOLT	BOLT010	
5	1	1/4-20 X 1-1/4 RND HD SO NECK BOLT	BOLT083	
6	2	3/8-16 X 3/4 HEX BOLT	BOLT022	
7	2	5/16-18 X 5/16 SET SCREW	SCREW003	
8	1	ADJ. BRAKE LEVER KIT RETROF.	LEVER076	
9	1	BRAKE BAND ASSEMBLY HEAVY DUTY	BRAKEPART019	
10	1	BRAKE DRUM	DRUM005	1
11	1	BRAKE LEVER PIVOT	BUSHING053	3
12	2	HELICAL SPRING LOCK WASHER 3/8 ZP	WASHER030	
13	1	MGH BRAKE LEVER C-1 GALVANIZED	LEVER051	
14	1	MGH BRAKE SUPPORT REDUCER 80	BRACKET169	4
15	1	TROLLEY ARM DISCONNec SPRING	SPRING026	
16	2	TYPE A PLAIN WASHER 1/4 N ZP	WASHER004	
17	1	TYPE A PLAIN WASHER 3/16 ZP	WASHER003	
18	2	TYPE A PLAIN WASHER 5/16 W ZP	WASHER008	

ALSO SUPPLY WITH THIS RETROFIT KIT:

- For reducer shaft:
 - 1x CLIP024
 - 1x KW010
 - 1x KW031
 - 2x SCREW003
- For HOIST shaft:
 - 1x BOLT010
 - 1x PIN010
 - 1x PIN011
 - 1x WASHER026
- For SOLENOID:
 - 1x PIN001

FOR 1/2 TO 1.5HP: Use LEVER052
 FOR 2 TO 5HP: Use LEVER076



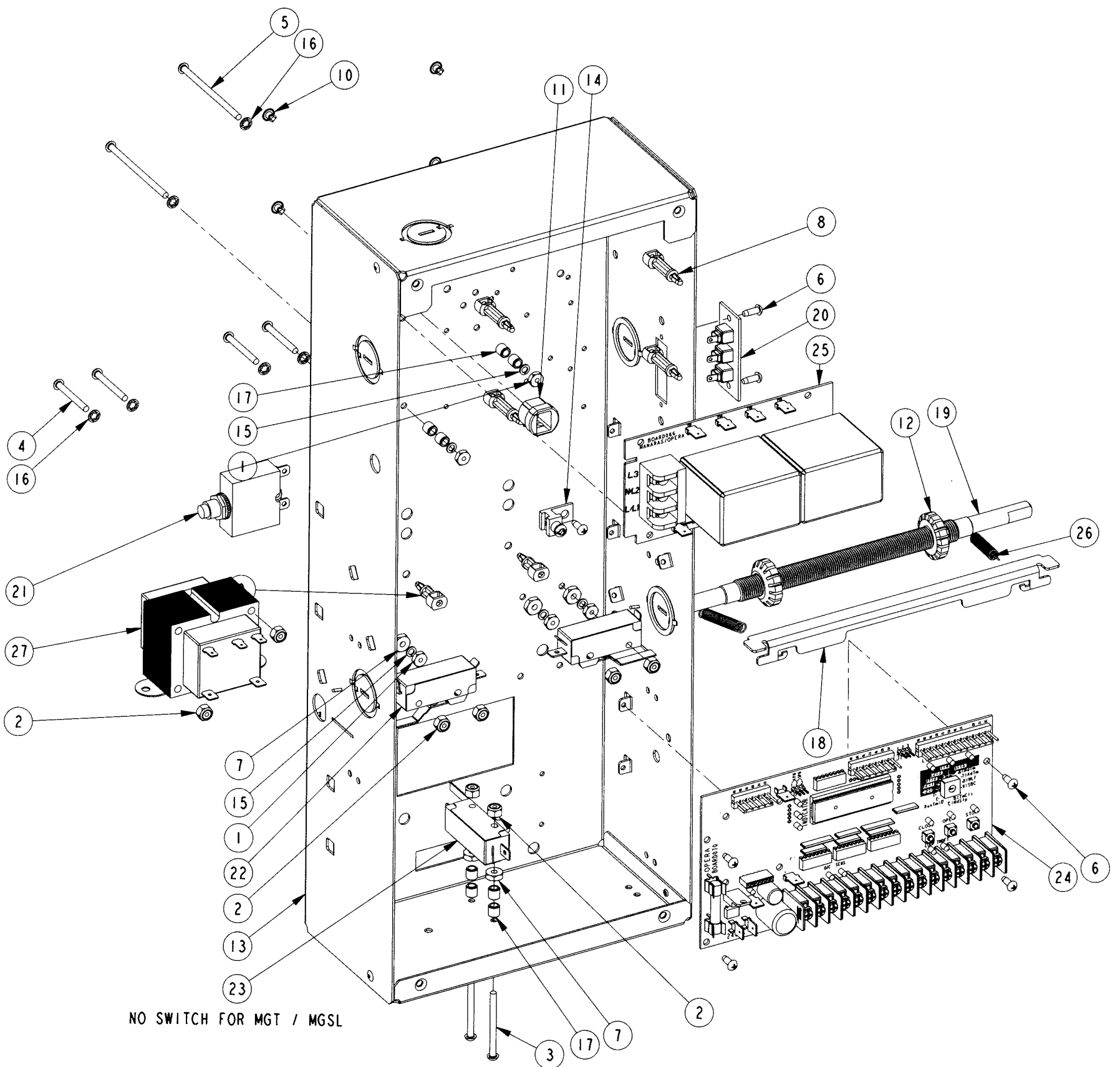
PART DESCRIPTION	
GH/MGH BRAKE RETROFIT KIT	
PART NUMBER BRAKE012 (DRAWING023)	MANARAS-OPERA 136 ONEIDA DRIVE POINTE-CLAIRE, QC, H9R 1A8
DRAWN BY: LFM	TEL: 1-800-361-2260
DATE: 2010-09-17	FAX: 1-888-626-0606
UPDATED BY: J. PROULX	
DATE: 2013-03-07	



SHEET: 1 of 1

CONFIDENTIAL: THIS DRAWING AND/OR THE INFORMATION CONTAINED HEREIN IS AND REMAINS THE SOLE PROPERTY OF, AND IS PROPRIETARY TO, MANARAS-OPERA. THIS DRAWING AND/OR INFORMATION SHALL BE KEPT CONFIDENTIAL AND MAY NOT BE REPRODUCED, COPIED, MODIFIED, DISCLOSED, TRANSFERRED, OR MADE AVAILABLE TO OTHERS, EXCEPT WITH THE EXPRESS CONSENT OF MANARAS-OPERA. IT IS LOANED IN CONFIDENCE FOR MUTUAL ASSISTANCE PURPOSES ONLY. MANARAS-OPERA MAY AT ANY TIME, WRITTEN MODIFY THE DRAWING AND/OR INFORMATION CONTAINED HEREIN.

Qty	DESCRIPTION	# MANARAS
120V - 1PH	1 TRANSFO 120/240V-24V 40VA	TRANSF143
240V - 1PH	1 TRANSFO 120/240V-24V 40VA	TRANSF143
240V - 3PH	1 TRANSFO 240V/208V-24V 40VA	TRANSF037
480V - 3PH	1 TRANSFO 480V-24V 40VA	TRANSF088
575V - 3PH	1 TRANSFO 575V-24V 40VA	TRANSF142



No	Qty	DESCRIPTION	# MANARAS	REV
1	6	6-32 HEX NUT ZP	NUT002	
2	8	6-32 HEX NYLON LOCK NUT ZP	NUT018	
3	2	6-32 X 1-5/8 MACHINE SCREW	SCREW097	
4	4	6-32 X 1.25 MACHINE SCREW	SCREW109	
5	2	6-32 X 2-1/2 MACHINE SCREW	SCREW046	
6	7	6-32 X 3/8 TYPE F S-TAP. SCREW	SCREW094	
7	6	10-24 HEX NUT ZP	NUT004	
8	4	BOARD SUPPORT 1 IN.	SUPPORT008	
9	2	BOARD SUPPORT 5/8 IN.	SUPPORT001	
10	4	BOARD SUPPORT RIVET	SUPPORT002	
11	1	CABLE STRAIN RELIEF 5/8 OD	BUSHING058	
12	2	CAM LIMIT OPERA	CAM011	2
13	1	GH-MGH CONTROL BOX	CBOX033	3
14	1	GROUND LUG TA61G-UL	CONNECTOR039	
15	6	HELICAL SPRING LOCK WASHER NO 6 ZP	WASHER023	
16	6	INTERNAL TOOTH LOCKWASHER NO6 ZP	WASHER062	
17	8	LIMIT SWITCH SPACER 1/4 X 1/4 ALU.	SPACER017	
18	1	OPERA CBOX CAMPLATE	CAMPLATE019	0
19	1	OPERA LIMIT SHAFT	SHAFT103	6
20	1	RADIO CONTROL TERM STRIP	TSTRIP005	
21	1	RESET	SEE MOTOR TABLE	
22	2	SINGLE LIMIT SWITCH - LEVER 46 DEG	LIMIT023	XI
23	1	SNAP-ACT. SW.SPDT-LEVER FLAT 1.5"	LIMIT025	0
24	1	STD ELECT. CONTR. BOARD	BOARD070	
25	1	STD ELECT. POWER BOARD 2 RELAYS	BOARD066	
26	2	TOGGLE SWITCH SPRING	SPRING030	
27	1	TRANSFO TO 24V	SEE TABLE	

NO SWITCH FOR MGT / MGSL

PART DESCRIPTION	
MGH / MGT / MGSL CBOX ECB	
PART NUMBER	MANARAS-OPERA
MGH-BOARD070	136 ONEIDA DRIVE
DRAWN BY: J. PROULX	POINTE-CLAIRE, QC, H9R 1A8
DATE: 2011-01-06	TEL: 1-800-361-2260
UPDATED BY: J. PROULX	FAX: 1-888-626-0606
DATE: 2011-06-09	

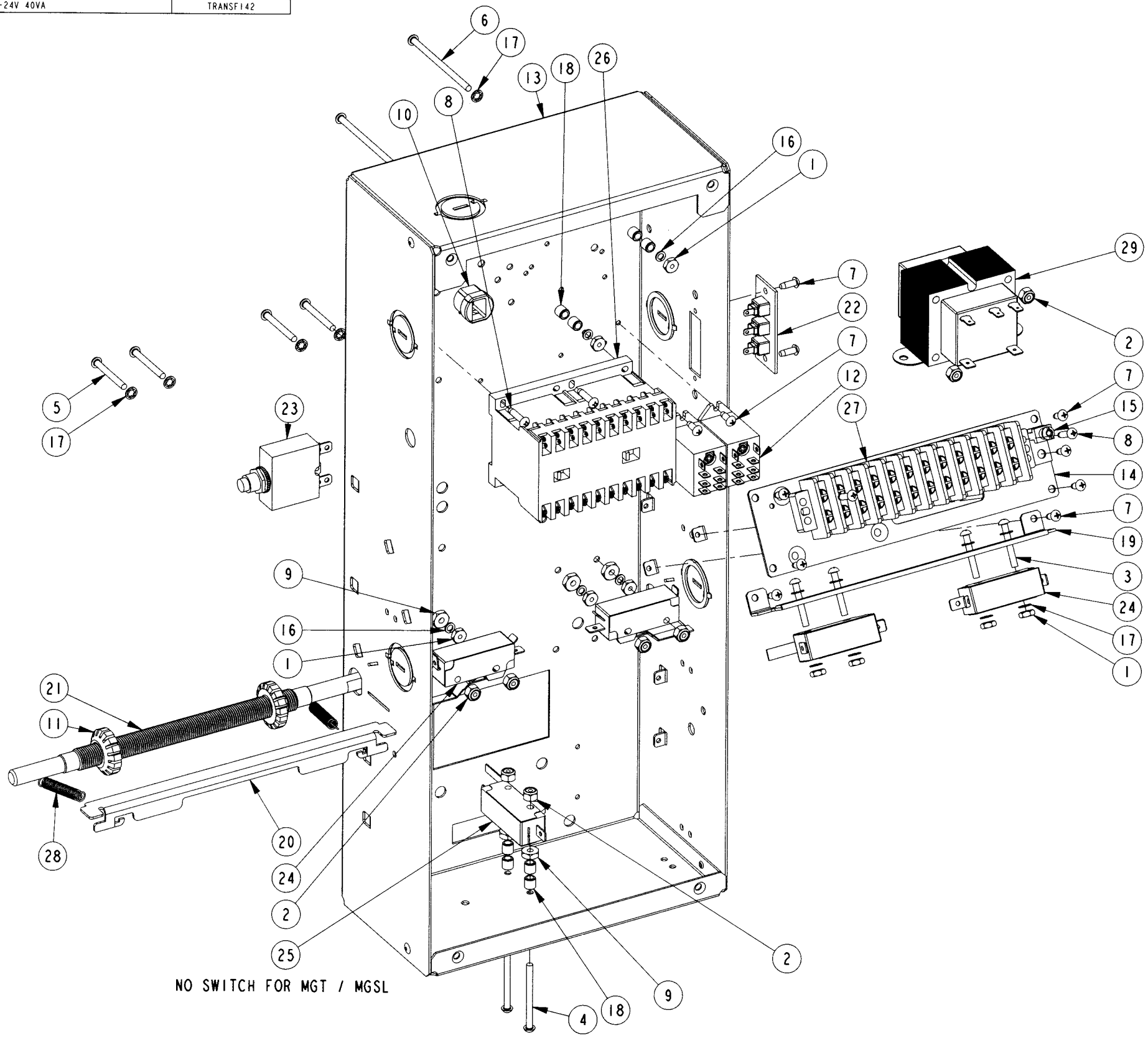


SHEET: 1 of 1

CONFIDENTIAL: THIS DRAWING AND/OR THE INFORMATION CONTAINED HEREIN IS AND REMAINS THE SOLE PROPERTY OF, AND IS PROPRIETARY TO, MANARAS-OPERA. THIS DRAWING AND/OR INFORMATION SHALL BE KEPT CONFIDENTIAL AND MAY NOT BE REPRODUCED, COPIED, MODIFIED, DISCLOSED, TRANSFERRED, OR MADE AVAILABLE TO OTHERS, EXCEPT WITH THE EXPRESS CONSENT OF MANARAS-OPERA. IT IS LOANED IN CONFIDENCE FOR MUTUAL ASSISTANCE PURPOSES ONLY. MANARAS-OPERA MAY AT ANY TIME, WRITTEN MODIFY THE DRAWING AND/OR INFORMATION CONTAINED HEREIN.

Qty	DESCRIPTION	# MANARAS
12V - 1PH	TRANSFO 120/240V-24V 40VA	TRANSF143
12V - 1PH	TRANSFO 120/240V-24V 40VA	TRANSF143
240V - 3PH	TRANSFO 240V/208V-24V 40VA	TRANSFO37
480V - 3PH	TRANSFO 480V-24V 40VA	TRANSFO88
575V - 3PH	TRANSFO 575V-24V 40VA	TRANSF142

No	Qty	DESCRIPTION	# MANARAS	REV
1	10	6-32 HEX NUT ZP	NUT002	
2	8	6-32 HEX NYLON LOCK NUT ZP	NUT018	
3	4	6-32 X 1 MACHINE SCREW	SCREW042	
4	2	6-32 X 1-5/8 MACHINE SCREW	SCREW097	
5	4	6-32 X 1.25 MACHINE SCREW	SCREW109	
6	2	6-32 X 2-1/2 MACHINE SCREW	SCREW046	
7	13	6-32 X 3/8 TYPE F S-TAP. SCREW	SCREW094	
8	6	6-32 X 5/8 TYPE F S-TAP. SCREW	SCREW095	
9	6	10-24 HEX NUT ZP	NUT004	
10	1	CABLE STRAIN RELIEF 5/8 OD	BUSHING058	
11	2	CAM LIMIT OPERA	CAM011	2
12	2	DPDT 24V RELAY	RELAY024	
13	1	GH-MGH CONTROL BOX	CBOX033	3
14	1	GH-MGH CONTROL BOX BRACKET	BRACKET234	2
15	1	GROUND LUG TA61G-UL	CONNECTOR039	
16	6	HELICAL SPRING LOCK WASHER NO 6 ZP	WASHER023	
17	14	INTERNAL TOOTH LOCKWASHER NO6 ZP	WASHER062	
18	8	LIMIT SWITCH SPACER 1/4 X 1/4 ALU.	SPACER017	
19	1	OPERA CBOX ADV LIMITS BRACKET	BRACKET225	0
20	1	OPERA CBOX CAMPLATE	CAMPLATE019	0
21	1	OPERA LIMIT SHAFT	SHAFT103	6
22	1	RADIO CONTROL TERM STRIP	TSTRIP005	
23	1	RESET	SEE MOTOR TABLE	
24	4	SINGLE LIMIT SWITCH - LEVER 46 DEG	LIMIT023	X1
25	1	SNAP-ACT. SW.SPDT-LEVER FLAT 1.5"	LIMIT025	0
26	1	TELEM. REVERS. CONT. 24V	CONTACTORXXX	
27	1	TERMINAL STRIP 12 POSITIONS	TSTRIP001	
28	2	TOGGLE SWITCH SPRING	SPRING030	
29	1	TRANSFO 120/240-24 40VA	TRANSF143	



NO SWITCH FOR MGT / MGSL

PART DESCRIPTION		MGH / MGT / MGSL CBOX HARDWIRE MANARAS-OPERA 138 ONEIDA DRIVE POINTE-CLAIRE, QC, H9R 1A8 TEL: 1-800-361-2260 FAX: 1-888-626-0606	
PART NUMBER			
MGH-HW			
DRAWN BY: J. PROULX			
DATE: 2011-06-09			
UPDATED BY: --			
DATE: --			

CONFIDENTIAL: THIS DRAWING AND/OR THE INFORMATION CONTAINED HEREIN IS AND REMAINS THE SOLE PROPERTY OF, AND IS PROPRIETARY TO, MANARAS-OPERA. THIS DRAWING AND/OR INFORMATION SHALL BE KEPT CONFIDENTIAL AND MAY NOT BE REPRODUCED, COPIED, MODIFIED, DISCLOSED, TRANSFERRED, OR MADE AVAILABLE TO OTHERS, EXCEPT WITH THE EXPRESS CONSENT OF MANARAS-OPERA. IT IS LOANED IN CONFIDENCE FOR MUTUAL ASSISTANCE PURPOSES ONLY. MANARAS-OPERA MAY AT ANY TIME, WRITTEN MODIFY THE DRAWING AND/OR INFORMATION CONTAINED HEREIN.