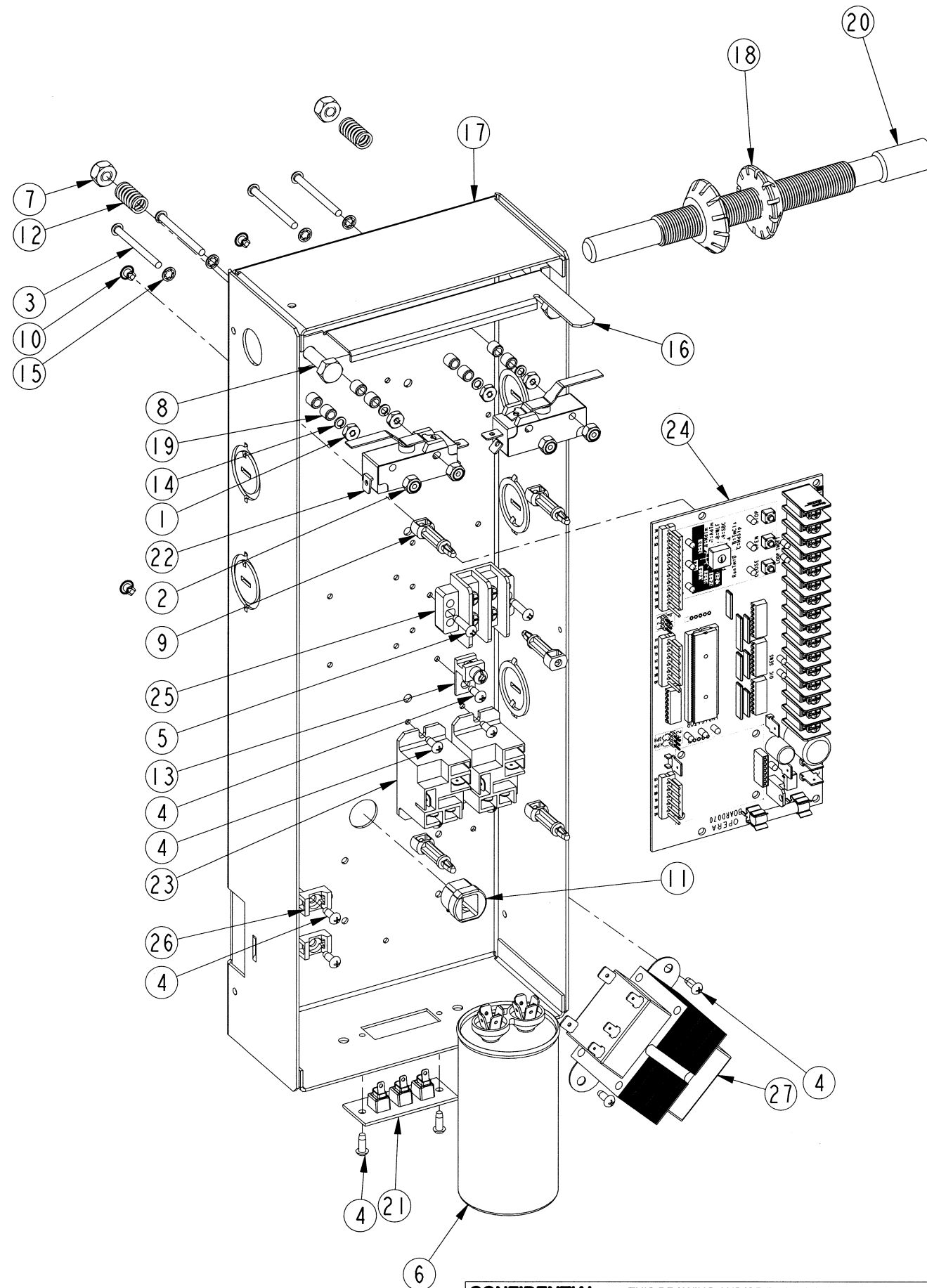


No	Qty	DESCRIPTION	# MANARAS	REV
1	1	6-32 X 3/8 TYPE F S-TAP. SCREW	SCREW094	
2	2	8-32 X 3/8 TYPE F S-TAP. SCREW	SCREW021	
3	4	10-32 HEX NUT ZP	NUT005	
4	1	#410-1R36P(INCL. IC/L)	CHAIN060	
5	5	1/4-20 X 5/16 SET SCREW	SCREW001	
6	1	410B12 X 1 K1/4 2S5/16-18 PHI/4 CR	SPR410B12X1	1
7	1	410B14 X 1 K1/4 2S5/16-18	SPR410B14X1	
8	1	410B18 X 1 K1/4 2S5/16-18	SPR410B18X1	1
9	2	410B9 X 5/8 K3/16 2S1/4-20 CR	SPR410B9X5/8	1
10	8	5/16-18 X 5/16 SET SCREW	SCREW003	
11	2	5/8-24 HEX JAM NUT ZP	NUT015	
12	1	CL. PAD 5/8x4x0.125"	CLUTCHPAD005	3
13	1	CLUTCH SPRING 5/8	SPRING009	
14	1	CLUTCHPLATE 5/8	CLUTCHPLATE004	3
15	1	COLLAR 1"	COLLAR007	
16	1	COLLAR 5/8"	COLLAR004	
17	1	COLLARE 1/2 LITE DUTY	COLLAR003	0
18	2	EXTERNAL 3/4 RETAINING RING	CLIP006	
19	2	FLANGE BEARING 1" C16-3F*5	BEARING007	
20	2	FLANGE BEARING 5/8 c10-22f*3	BEARING005	
21	1	FLANGE BRONZE BUSH 1/2X3/4X1/2	BUSHING026	1
22	1	FLANGE BUSHING 5/8-3/4-1/2	BUSHING002	
23	3	FLT WASHER 5/8 (.630X.955X.120) ZP	WASHER019	
24	4	HELICAL SPRING LOCK WASH NO 10 ZP	WASHER025	
25	2	KEY 1/4 X 1	KW021	5
26	1	KEY 3/16 X 3/4	KW010	5
27	1	L-DUTY COVER GREEN	COVER046	6
28	1	L. DUTY CONTROL BOX	CBOX024	19
29	2	LIGHT DUTY FRAME SPACER	SHAFT100	7
30	1	MDJ, MGT, MSJ, MTH, MTBH DRIVE	SHAFT048	5
31	1	MLH LIMI DUTY SHAFT 5/8-18	SHAFT072	3
32	1	MLT INPUT SHAFT 5/8-24X11-1/4	SHAFT086	2
33	1	MLT LEFT SIDE FRAME	FRAME035	8
34	1	MLT RIGHT SIDE FRAME	FRAME036	8
35	1	MOTOR 1/2HP 115V/1PH 60HZ OPD 48Y	MOTOR189	
36	1	MOTOR PULLEY 1 1/2 X 1/2 4L	PULLEY011	
37	1	PIN SLOTTED SPRING 1/4 x 1.5	PIN010	
38	1	PIN SLOTTED SPRING 3/16 x 1.5	PIN007	
39	2	POP RIVET 1/8 X (0.188-0.250)	RIVET005	
40	1	PULLEY 7" x 5/8" 5L/8	PULLEY020	5
41	2	TYPE A PLAIN WASHER 5/8 N ZP	WASHER014	
42	4	TYPE A PLAIN WASHER NO 10 ZP	WASHER046	
43	1	V BELT A24	VBELTA24	

PART DESCRIPTION		MLT 1/2 HP 115V/1PH 60HZ	
PART NUMBER			
MLT-6112-0X00		MANARAS-OPERA 136 ONEIDA DRIVE POINTE-CLAIRE, QC, H9R 1A8 TEL: 1-800-361-2260 FAX: 1-888-626-0606	
DRAWN BY: J. PROULX			
DATE: 2012-01-19			
UPDATED BY: —			
DATE: —			

CONFIDENTIAL: THIS DRAWING AND/OR THE INFORMATION CONTAINED HEREIN IS AND REMAINS THE SOLE PROPERTY OF, AND IS PROPRIETARY TO, MANARAS-OPERA. THIS DRAWING AND/OR INFORMATION SHALL BE KEPT CONFIDENTIAL AND MAY NOT BE REPRODUCED, COPIED, MODIFIED, DISCLOSED, TRANSFERRED, OR MADE AVAILABLE TO OTHERS, EXCEPT WITH THE EXPRESS CONSENT OF MANARAS-OPERA. IT IS LOANED IN CONFIDENCE FOR MUTUAL ASSISTANCE PURPOSES ONLY. MANARAS-OPERA MAY AT ANY TIME, WRITTEN MODIFY THE DRAWING AND/OR INFORMATION CONTAINED HEREIN.

SHEET: 1 of 1



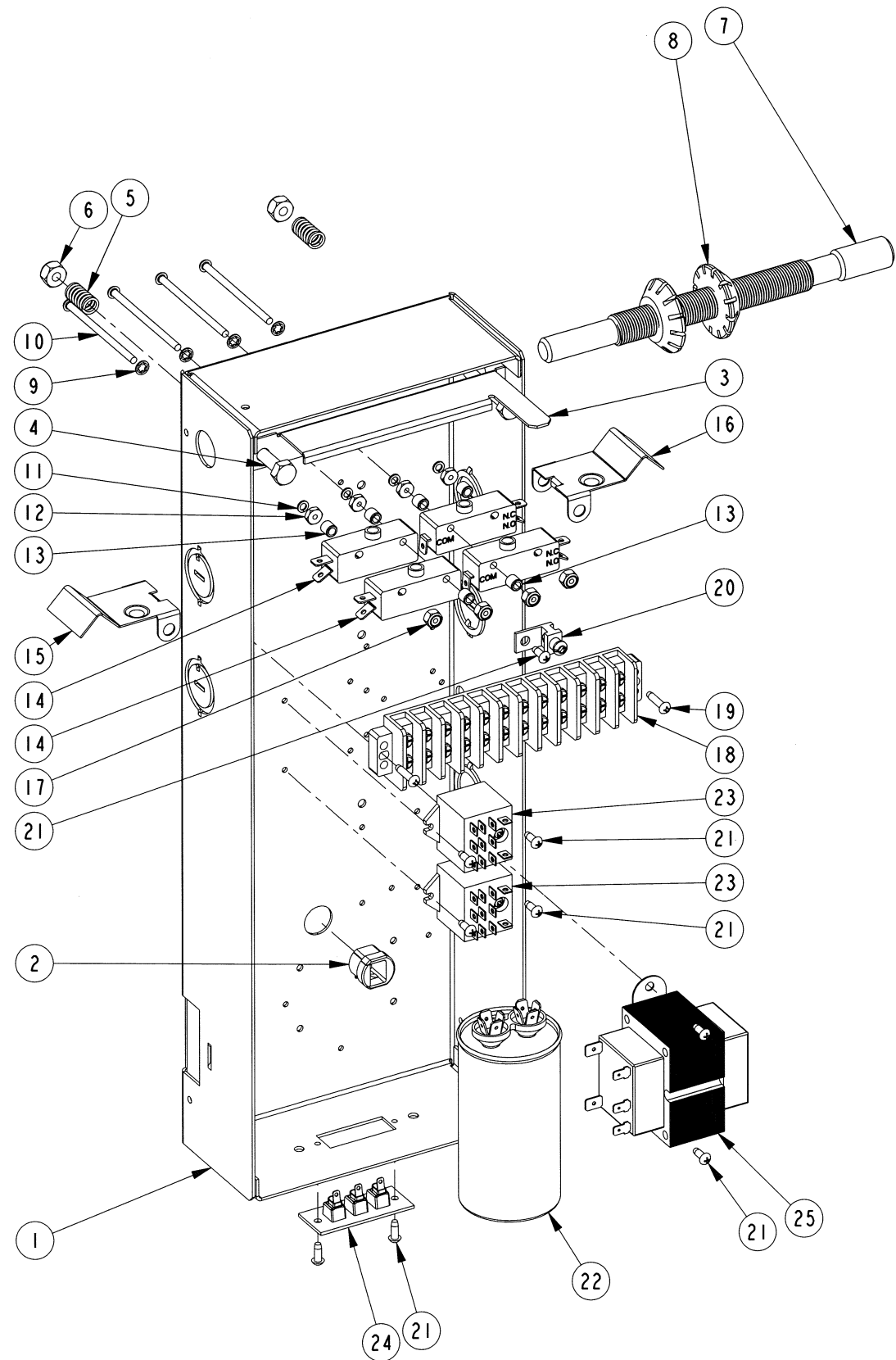
No	Qty	DESCRIPTION	# MANARAS	REV
1	4	6-32 HEX NUT ZP	NUT002	
2	4	6-32 HEX NYLON LOCK NUT ZP	NUT018	
3	4	6-32 X 1-5/8 MACHINE SCREW	SCREW097	
4	11	6-32 X 3/8 TYPE F S-TAP. SCREW	SCREW094	
5	2	6-32 X 5/8 TYPE F S-TAP. SCREW	SCREW095	
6	1	70 MF 250VAC/B50/60HZ	CAPACITOR024	
7	2	1/4-20 HEX NYLON LOCK NUT ZP	NUT020	
8	2	1/4-20 X 1-1/2 HEX BOLT	BOLT008	
9	5	BOARD SUPPORT 1 IN.	SUPPORT008	
10	4	BOARD SUPPORT RIVET	SUPPORT002	
11	1	CABLE STRAIN RELIEF 5/8 OD	BUSHING058	
12	2	CAM GUIDE PLATE SPRING C260047	SPRING001	
13	1	GROUND LUG TA61G-UL	CONNECTOR039	
14	4	HELICAL SPRING LOCK WASHER NO 6 ZP	WASHER023	
15	4	INTERNAL TOOTH LOCKWASHER NO6 ZP	WASHER062	
16	1	L. DUTY CAMPLATE	CAMPLATE014	3
17	1	L. DUTY CONTROL BOX	CBOX024	19
18	2	LIMIT CAM	CAM005	3
19	8	LIMIT SWITCH SPACER 1/4 X 1/4 ALU.	SPACER017	
20	1	MLH LIMI DUTY SHAFT 5/8-18	SHAFT072	3
21	1	RADIO CONTROL TERM STRIP	TSTRIP005	
22	2	SINGLE LIMIT SWITCH - LEVER 46 DEG	LIMIT023	4
23	2	SPST-NO 30A 24VDC FLANGE MOUNT.	RELAY068	
24	1	STD ELECT. CONTR. BOARD	BOARD070	
25	1	TERMINAL STRIP 2 POSITIONS	TSTRIP009	
26	2	TIE-WRAP ANCHOR	SUPPORT003	
27	1	TRANSFO 120/240-24 40VA	TRANSF143	

PART DESCRIPTION		
CBOX024 ECB070		
PART NUMBER	MLT-ECB	MANARAS-OPERA 136 ONEIDA DRIVE POINTE-CLAIRE, QC, H9R 1A8
DRAWN BY:	J. PROULX	TEL: 1-800-361-2260
DATE:	2012-01-19	FAX: 1-888-626-0606
UPDATED BY:	—	
DATE:	—	



SHEET: 1 of 2

CONFIDENTIAL: THIS DRAWING AND/OR THE INFORMATION CONTAINED HEREIN IS AND REMAINS THE SOLE PROPERTY OF, AND IS PROPRIETARY TO, MANARAS-OPERA. THIS DRAWING AND/OR INFORMATION SHALL BE KEPT CONFIDENTIAL AND MAY NOT BE REPRODUCED, COPIED, MODIFIED, DISCLOSED, TRANSFERRED, OR MADE AVAILABLE TO OTHERS, EXCEPT WITH THE EXPRESS CONSENT OF MANARAS-OPERA. IT IS LOANED IN CONFIDENCE FOR MUTUAL ASSISTANCE PURPOSES ONLY. MANARAS-OPERA MAY AT ANY TIME, WRITTEN MODIFY THE DRAWING AND/OR INFORMATION CONTAINED HEREIN.



No	Qty	DESCRIPTION	# MANARAS	REV
1	1	L. DUTY CONTROL BOX	CBOX024	19
2	1	CABLE STRAIN RELIEF 5/8 OD	BUSHING058	
3	1	L. DUTY CAMPLATE	CAMPLATE014	3
4	2	1/4-20 X 1-1/2 HEX BOLT	BOLT008	
5	2	CAM GUIDE PLATE SPRING C260047	SPRING001	
6	2	1/4-20 HEX NYLON LOCK NUT ZP	NUT020	
7	1	MLH LIMI DUTY SHAFT 5/8-18	SHAFT072	3
8	2	LIMIT CAM	CAM005	3
9	4	INTERNAL TOOTH LOCKWASHER NO6 ZP	WASHER062	
10	4	6-32 X 2-1/2 MACHINE SCREW	SCREW046	
11	4	HELICAL SPRING LOCK WASHER NO 6 ZP	WASHER023	
12	4	6-32 HEX NUT ZP	NUT002	
13	6	LIMIT SWITCH SPACER 1/4 X 1/4 ALU.	SPACER017	
14	4	STD SINGLE LIMIT SWITCH	LIMIT015	
15	1	LIMIT SWITCH LIGHT DUTY	BRACKET175	5
16	1	LIMIT SWITCH LIGHT DUTY	BRACKET176	5
17	4	6-32 HEX NYLON LOCK NUT ZP	NUT018	
18	1	TERMINAL STRIP 12 POSITIONS	TSTRIP001	
19	2	6-32 X 5/8 TYPE F S-TAP. SCREW	SCREW095	
20	1	GROUND LUG TA61G-UL	CONNECTOR039	
21	9	6-32 X 3/8 TYPE F S-TAP. SCREW	SCREW094	
22	1	70 MF 250VAC/B50/60HZ	CAPACITOR024	
23	2	IDEL 24 VAC RELAY TRIPLE POLE	RELAY039	
24	1	RADIO CONTROL TERM STRIP	TSTRIP005	
25	1	TRANSFO 120/240-24 40VA	TRANSF143	

PART DESCRIPTION		
CBOX024 HW		
PART NUMBER	MANARAS-OPERA	
MLT-HW	136 ONEIDA DRIVE	
DRAWN BY: J. PROULX	POINTE-CLAIRE, QC, H9R 1A8	
DATE: 2012-01-19	TEL: 1-800-361-2260	
UPDATED BY: —	FAX: 1-888-626-0606	
DATE: —		



SHEET: 1 of 1

CONFIDENTIAL: THIS DRAWING AND/OR THE INFORMATION CONTAINED HEREIN IS AND REMAINS THE SOLE PROPERTY OF, AND IS PROPRIETARY TO, MANARAS-OPERA. THIS DRAWING AND/OR INFORMATION SHALL BE KEPT CONFIDENTIAL AND MAY NOT BE REPRODUCED, COPIED, MODIFIED, DISCLOSED, TRANSFERRED, OR MADE AVAILABLE TO OTHERS, EXCEPT WITH THE EXPRESS CONSENT OF MANARAS-OPERA. IT IS LOANED IN CONFIDENCE FOR MUTUAL ASSISTANCE PURPOSES ONLY. MANARAS-OPERA MAY AT ANY TIME, WRITTEN MODIFY THE DRAWING AND/OR INFORMATION CONTAINED HEREIN.