

No	Qty	DESCRIPTION	# MANARAS	REV
71	1	MOTOR		
72	1	OPERA POCKETWHEEL	POCKETWHEEL005	1
73	3	PIN SLOTTED SPRING 1/4 X 2	PIN011	
74	1	RADIO CONTROL TERM STRIP	TSTRIP005	
75	1	RECT. TUBING 2" X 6" X 1 1/2"		
76	1	REDUCER CC80-40D FR 182TV GN	REDUCER008	1
77	1	SHAFT 24UNEF LG.10.085"	SHAFT105	2
78	1	SINGLE LIM. SW. AND LEVER	LIMIT001	
79	1	SINGLE SWIVEL PULLEY 1.0	PULLEY016	
80	1	SOLENOID	SOLENOID	
81	4	STD SINGLE LIMIT SWITCH	LIMIT015	
82	1	SUPPORT TSTRIP GEAR HEAD	BRACKET036	
83	1	TELEM. REVERS. CONT. 24V	CONTACTOR044	
84	1	TERMINAL STRIP 12 POSITION	TSTRIP001	
85	1	TOP DISCONNECT LEVER GH	LEVER062	4
86	1	TRANSFO 120/240-24 40VA	TRANSF143	
87	1	TROLLEY ARM DISCONNECT SPRING	SPRING026	
88	1	TYPE A PLAIN WASHER 1/4 N ZP	WASHER004	
89	1	TYPE A PLAIN WASHER 3/16 ZP	WASHER003	
90	2	TYPE A PLAIN WASHER 3/8 W ZP	WASHER010	
91	9	TYPE A PLAIN WASHER 5/8 N ZP	WASHER014	

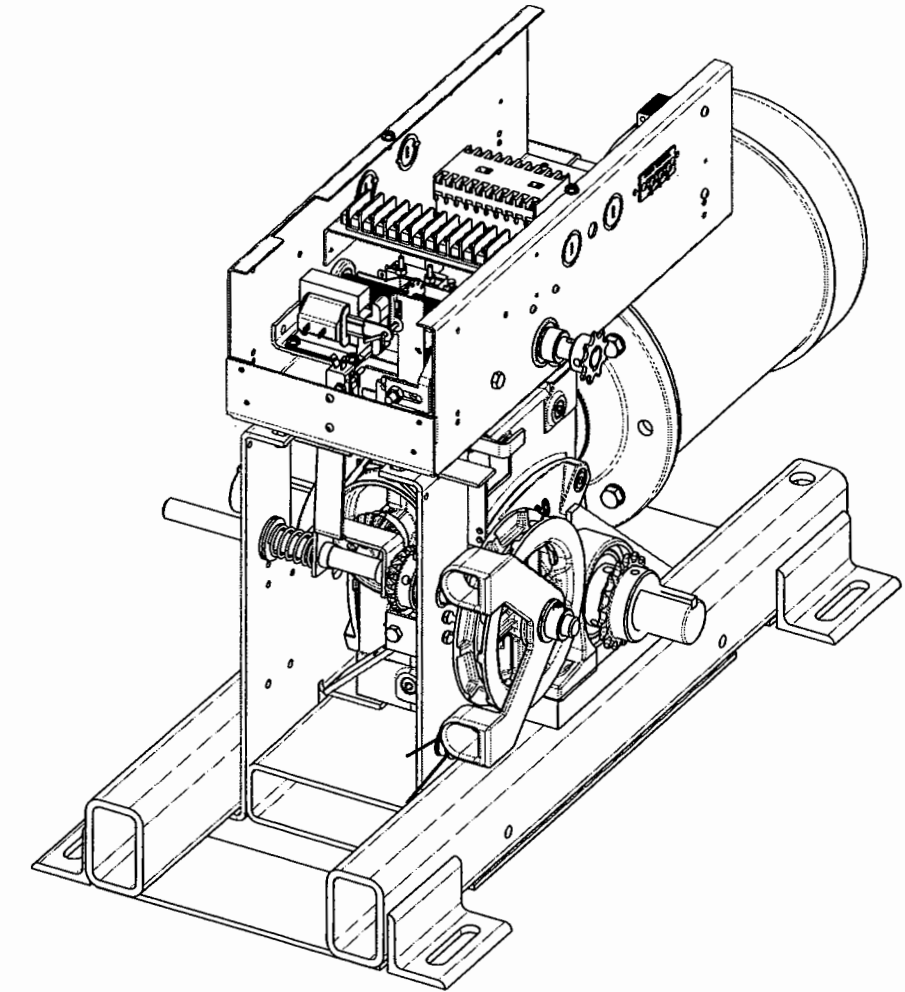
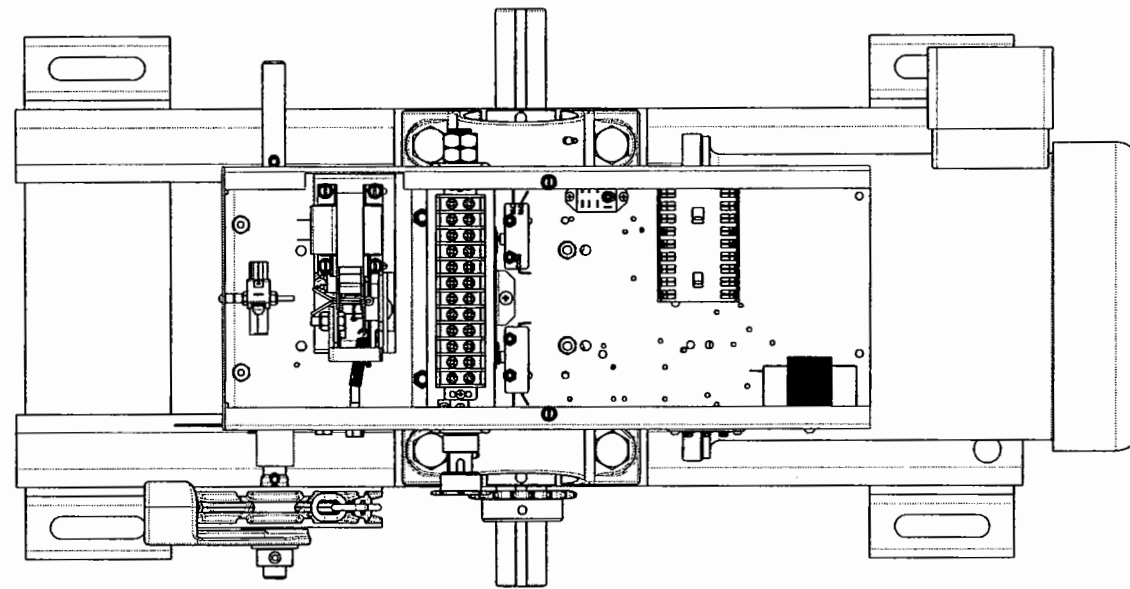
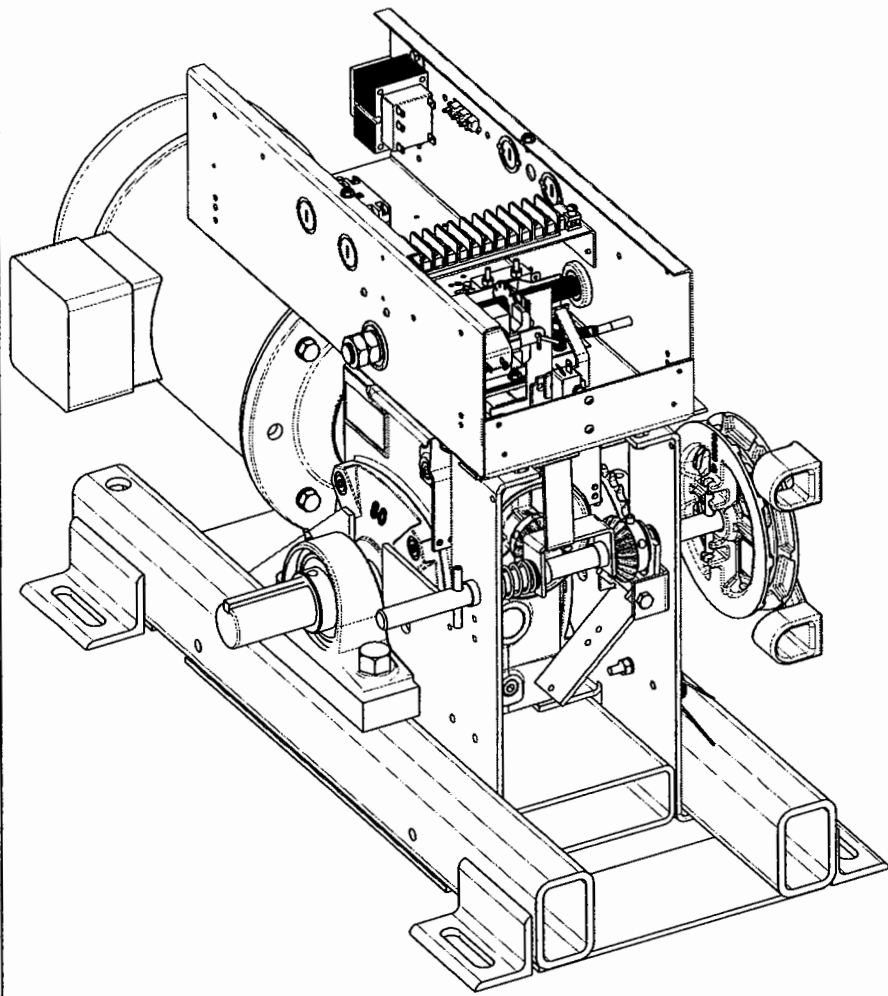
No	Qty	DESCRIPTION	# MANARAS	REV
1	2	1-3/8 PILLOW BLOCK BR UCP20722	BEARING019	
2	6	6-32 HEX NUT ZP	NUT002	
3	6	6-32 HEX NYLON LOCK NUT ZP	NUT018	
4	6	6-32 X 2 MACHINE SCREW	SCREW045	
5	9	6-32 X 3/8 TYPE F S-TAP. SCREW	SCREW094	
6	6	6-32 X 5/8 TYPE F S-TAP. SCREW	SCREW095	
7	2	8-32 HEX NUT ZP	NUT003	
8	2	8-32 X 3/8 MACHINE SCREW	SCREW049	
9	2	10-24 HEX NUT ZP	NUT004	
10	2	10-24 X 3/4 RND HD SQ NECK BOLT	BOLT056	
11	6	10-24 X 3/8 TYPE F S-TAP. SCREW	SCREW022	
12	1	10-32 HEX NYLON LOCK NUT ZP	NUT019	
13	1	10-32 X 1/2 MACHINE SCREW	SCREW054	
14	1	#41-1R50P(INCL 1CA)	CHAIN020	
15	1	#50 CONNECTING LINK 50-1	LINK011	
16	6	1/4-20 HEX NUT ZP	NUT006	
17	5	1/4-20 HEX NYLON LOCK NUT ZP	NUT020	
18	3	1/4-20 X 1-1/2 HEX BOLT	BOLT008	
19	1	1/4-20 X 1-1/4 HEX BOLT	BOLT007	
20	1	1/4-20 X 1-1/4 RND HD SQ NECK BOLT	BOLT083	
21	1	1/4-20 X 2-3/4 HEX BOLT	BOLT014	
22	5	1/4-20 X 3/4 HEX BOLT	BOLT002	
23	2	3/8-16 HEX JAM NUT ZP	NUT009	
24	2	3/8-16 HEX NUT ZP	NUT010	
25	6	3/8-16 X 1 HEX BOLT	BOLT023	
26	2	3/8-16 X 2 HEX BOLT	BOLT070	
27	1	41B10-34KD-S0-PH1/4	SPR41B17X1-3/8	0
28	1	41B9-5/8 K3/16-2S1/4-20-CR	SPR41B9X5/8	4
29	5	5/16-18 X 5/16 SET SCREW	SCREW003	
30	4	5/8-11 HEX NUT ZP	NUT012	
31	4	5/8-11 X 3 HEX BOLT	BOLT054	
32	2	5/8-24 HEX JAM NUT ZP	NUT015	
33	1	ADJ. BRAKE LEVER KIT RETROF.	LEVER076	
34	2	BEVEL GEAR GH MGH 5/8 20TH	GEAR001	2
35	1	BRAKE DRUM 5/8 WITH GROOVE	DRUM004	8
36	1	BRAKE LEVER PIVOT	BUSHING053	3
37	1	BRAKE SHOE ASS FOR STD BRAKE	BRAKEPART017	
38	2	CAM GUIDE PLATE SPRING C260047	SPRING001	
39	1	CARRIER DISCONNECT BRACKET	LEVER063	4
40	1	CHAIN GUIDE 6 3/8	GUIDE012	
41	2	COLLAR 5/8"	COLLAR004	
42	1	COTTER PIN 1/8 X 3	PIN002	
43	1	DPDT 24V RELAY	RELAY024	
44	1	EXTERNAL 3/4 RETAINING RING	CLIP006	
45	2	FLANGE BEARING 5/8 c10-22"3	BEARING005	
46	4	FLANGE BUSHING 5/8-3/4-1/2	BUSHING002	
47	1	GH CAM PLATE STANDARD	CAMPLATE001	5
48	1	GH HOIST SHAFT ASSEMBLY UNIV	SHAFT037	1
49	1	GH SELF ENG LEVER EXTEN B	BRACKET082	4
50	1	GH-MGH CONTROL BOX	CBOX001	10
51	1	GROUND LUG TA61G-JUL	CONNECTOR039	
52	1	HAND CHAIN 31.4-19.5-1000	CHAIN002	
53	2	HELICAL SPRING LOCK WASH NO 10 ZP	WASHER025	
54	5	HELICAL SPRING LOCK WASHER 1/4 ZP	WASHER026	
55	8	HELICAL SPRING LOCK WASHER 3/8 ZP	WASHER030	
56	4	HELICAL SPRING LOCK WASHER 5/8 ZP	WASHER042	
57	2	HELICAL SPRING LOCK WASHER NO 8 ZP	WASHER024	
58	2	LIMIT CAM 5/8-24UNEF	CAM004	
59	1	LIMIT LEVER GEAR HEAD	LEVER067	2
60	4	LIMIT SWITCH SPACER 1/4 X 1/4	SPACER001	
61	1	MGH 5HP FRAME	FRAME046	
62	1	MGH BRAKE LEVER C-1 GALVANIZED	LEVER051	
63	1	MGH BRAKE SUPPORT REDUCER 80	BRACKET169	4
64	1	MGH CBOX SUPPORT	BRACKET009	2
65	1	MGH CONTROL BOX COVER	COVER001	
66	1	MGH HOIST DISC LEVER BR	BRACKET001	3
67	1	MGH LEFT FRAME	FRAME002	12
68	1	MGH RIGHT FRAME	FRAME001	12
69	1	MGH HOIST DISCONNECT LEVER GRN	LEVER001	5
70	1	MJ DISCONNECT HOIST SPRING	SPRING012	

PART DESCRIPTION
MGH THREE PHASES 3HP TO 5HP

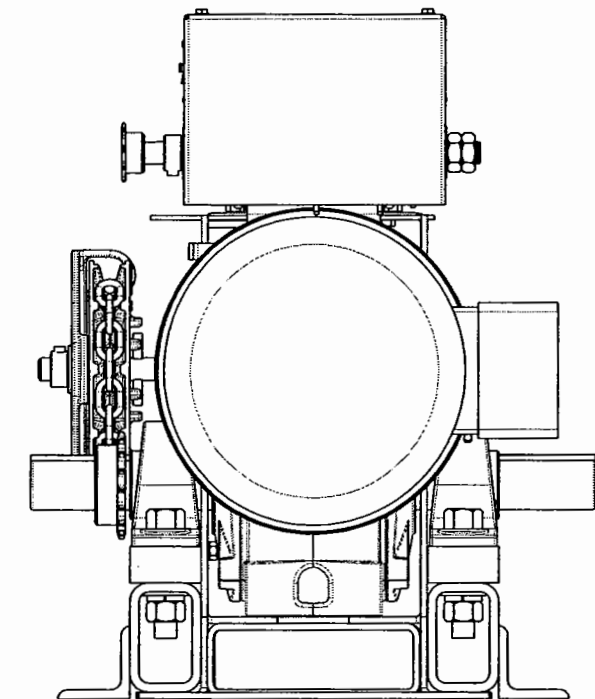
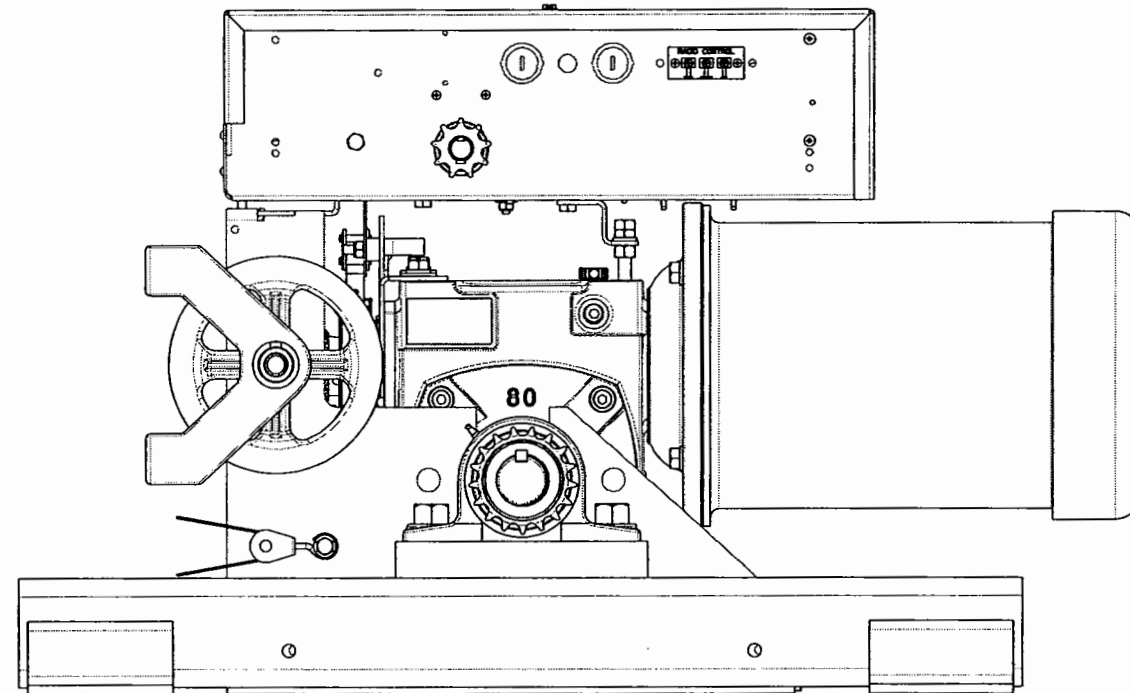
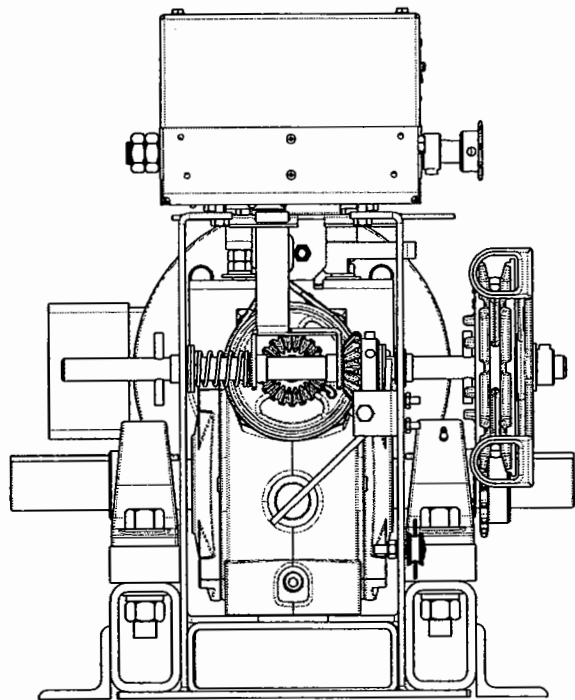
PART NUMBER MGH-XXXX-0000	MANARAS-OPERA 136 ONEIDA DRIVE POINTE-CLAIRE, QC, H9R 1A8 TEL: 1-800-361-2260 FAX: 1-888-626-0606
DRAWN DATE: 2008-12-11	
LAST UPDATE: 2009-05-11	INITIAL G.T

MANARAS
Opera
DRAWN BY: G. THOMAS
SHEET: 1 of 2

CONFIDENTIAL: THIS DRAWING AND/OR THE INFORMATION CONTAINED HEREIN IS AND REMAINS THE SOLE PROPERTY OF, AND IS PROPRIETARY TO, MANARAS-OPERA. THIS DRAWING AND/OR INFORMATION SHALL BE KEPT CONFIDENTIAL AND MAY NOT BE REPRODUCED, COPIED, MODIFIED, DISCLOSED, TRANSFERRED, OR MADE AVAILABLE TO OTHERS, EXCEPT WITH THE EXPRESS CONSENT OF MANARAS-OPERA. IT IS LOANED IN CONFIDENCE FOR MUTUAL ASSISTANCE PURPOSES ONLY. MANARAS-OPERA MAY AT ANY TIME, WRITTEN MODIFY THE DRAWING AND/OR INFORMATION CONTAINED HEREIN.



TOP AND ISO VIEWS ARE SHOWN WITHOUT COVER001



PART DESCRIPTION		MGH THREE PHASES 3HP TO 5HP	
PART NUMBER		MANARAS-OPERA	
MGH-XXXX-0000		136 ONEIDA DRIVE	
DRAWN DATE:		POINTE-CLAIRE, QC, H9R 1A8	
2009-05-11		TEL: 1-800-361-2260	
LAST UPDATE:	INITIAL	FAX: 1-888-628-0606	

Manaras
Opera

DRAWN BY:	SHEET:
G. THOMAS	2 of 2

CONFIDENTIAL: THIS DRAWING AND/OR THE INFORMATION CONTAINED HEREIN IS AND REMAINS THE SOLE PROPERTY OF, AND IS PROPRIETARY TO, MANARAS-OPERA. THIS DRAWING AND/OR INFORMATION SHALL BE KEPT CONFIDENTIAL AND MAY NOT BE REPRODUCED, COPIED, MODIFIED, DISCLOSED, TRANSFERRED, OR MADE AVAILABLE TO OTHERS, EXCEPT WITH THE EXPRESS CONSENT OF MANARAS-OPERA. IT IS LOANED IN CONFIDENCE FOR MUTUAL ASSISTANCE PURPOSES ONLY. MANARAS-OPERA MAY AT ANY TIME, WRITTEN MODIFY THE DRAWING AND/OR INFORMATION CONTAINED HEREIN.