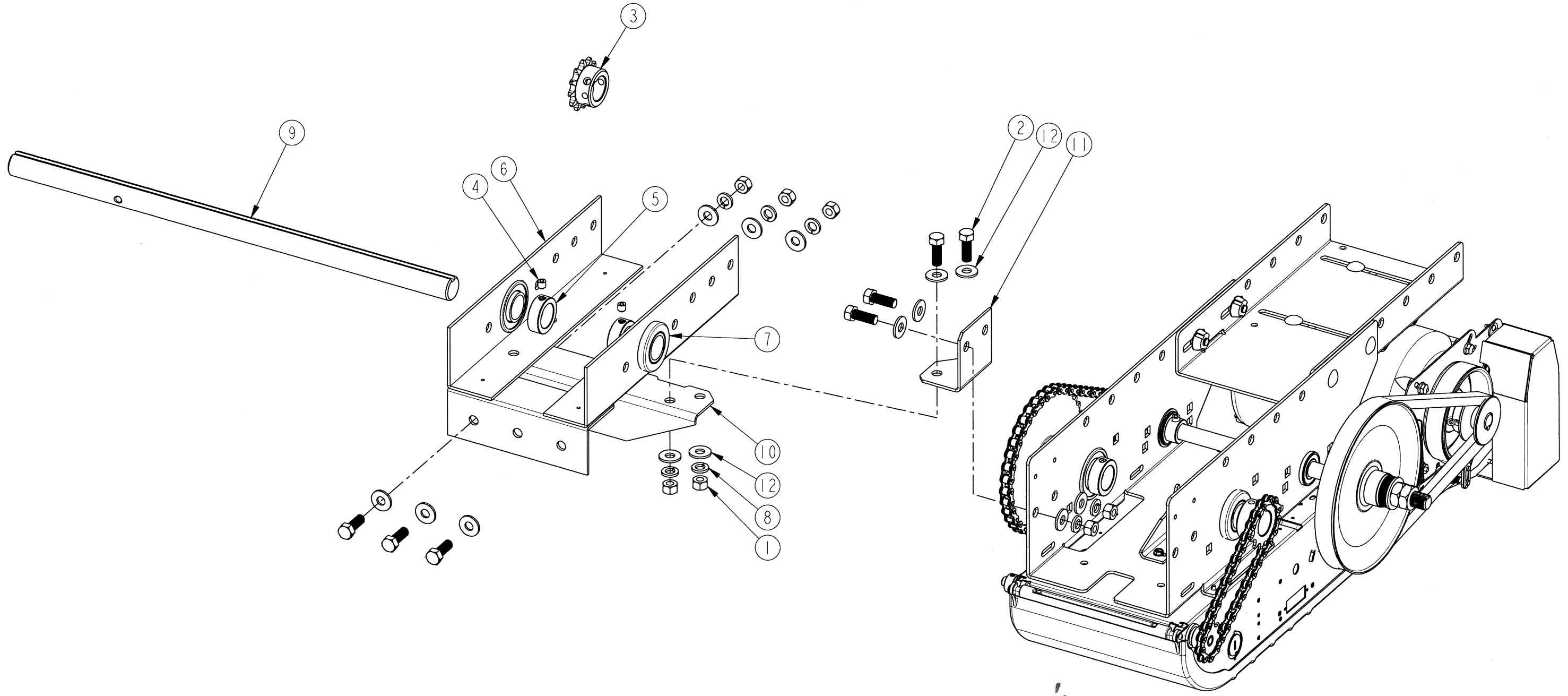


No	Qty	DESCRIPTION	# MANARAS	REV
1	7	3/8-16 HEX NUT ZP	NUT010	
2	7	3/8-16 X 1 HEX BOLT	BOLT023	
3	1	41B12 X 1 K1/4 2SS/16-18 PH1/4 CR	SPR41B12X1	5
4	2	5/16-18 X 5/16 SET SCREW	SCREW003	
5	2	COLLAR 1"	COLLAR007	
6	1	DUAL TROLLEY FRONT END BRACKET	BRACKET086	1
7	2	FLANGED BEARING 1D 1"	BEARING007	
8	7	HELICAL SPRING LOCK WASHER 3/8 ZP	WASHER030	
9	1	MINIDEPH OUTPUT SHAFT	SHAFT133	1
10	1	MINIDEPH TROLLEY FRONTIDLER BRKT	BRACKET240	3
11	1	MINIDEPH TROLLEY OPEARTOR BRACKET	BRACKET239	2
12	14	TYPE A PLAIN WASHER 5/16 W ZP	WASHER008	0



**APPROUVÉ**  
*27/07/2019-07-31*

PART DESCRIPTION		
<b>MINIMUM DEPTH MODIFICATION</b>		
PART NUMBER	MANARAS-OPERA	136 ONEIDA DRIVE POINTE-CLAIRE, QC, H9R 1A8 TEL: 1-800-361-2260 FAX: 1-888-626-0606
DRAWN BY: LFM		
DATE: 2011-05-02		
UPDATED BY: LFM		
DATE: 2014-10-27		SHEET: 1 of 1

**CONFIDENTIAL:** THIS DRAWING AND/OR THE INFORMATION CONTAINED HEREIN IS AND REMAINS THE SOLE PROPERTY OF, AND IS PROPRIETARY TO, MANARAS-OPERA. THIS DRAWING AND/OR INFORMATION SHALL BE KEPT CONFIDENTIAL AND MAY NOT BE REPRODUCED, COPIED, MODIFIED, DISCLOSED, TRANSFERRED, OR MADE AVAILABLE TO OTHERS, EXCEPT WITH THE EXPRESS CONSENT OF MANARAS-OPERA. IT IS LOANED IN CONFIDENCE FOR MUTUAL ASSISTANCE PURPOSES ONLY. MANARAS-OPERA MAY AT ANY TIME, WRITTEN MODIFY THE DRAWING AND/OR INFORMATION CONTAINED HEREIN.