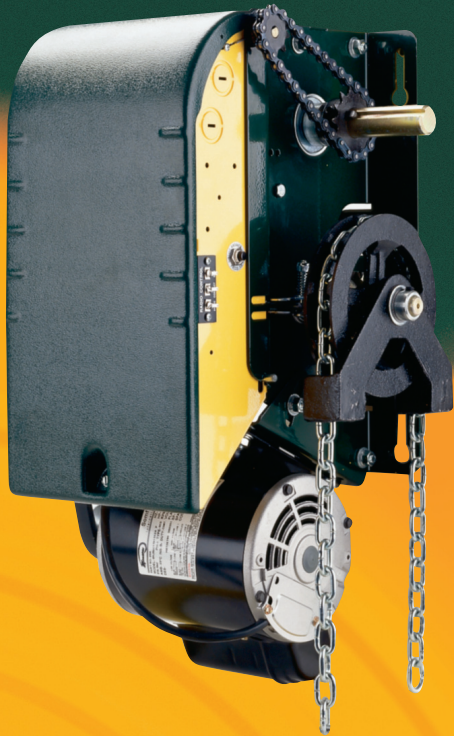


Specification Sheet

Opera™ - H



- Hoist-a-matic® self-engaging chain hoist
- Hinged cover with stable opened position
- Lifiable control box with retaining arm for easy access to mechanical parts
- Accu-cam® one hand limit setting

Opera™-H, a heavy duty operator for standard, high & vertical lift sectional doors or rolling doors and grilles. It can be wall, hood, or shelf mounted on either side of the door. It incorporates a self-engaging chain hoist for manual operation.



• Standard Features

Motor: 60Hz high starting torque, continuous-duty, single phase capacitor start or 3 phase motor, open drip proof, protected against overload. Also available with 50Hz 220V 1 phase and 380V 3 phase motor, consult inside sales.

Reduction: first step in reduction 5L/B V-belt drive, additional steps by chain and sprockets. Input shaft is 5/8" supported by precision ball bearings. Output shaft is 1" with 1/4" keyway, supported by ball bearings. Output shaft speed: 41 rpm.

Friction Clutch: positioned on input shaft, easily adjustable from outside.

Drive: #50 roller chain with a 50B12 sprocket on operator drive shaft. Door sprocket selected for a door travel of 6"/s to 12"/s.

Brake: mechanical brake.

Manual Operation: Hoist-a-matic® self-engaging hoist (floor level engagement device is not required to operate) for manual chain operation. An electrical interlock automatically disconnects power to the motor operator when chain hoist is engaged. Hand chain on right is standard.

Electrical Enclosure: all electrical components are in a NEMA 1 enclosure. Electrical enclosure cover is hinged with stable opened position.

Limit System: rotary-type oil-impregnated steel cams, commercial grade switches. Limit shaft is supported in frame by self-lubricating bronze bushing for increased precision. Remains in time when there is a manual operation or after the motor has been removed.

Accu-cam®: precise and quick one-handed adjustment of the limits.

Corrosion Protection: frame and control enclosure protected by baked on, long lasting enamel finish. All shafts protected by yellow chromate coating.

Mounting: wall, hood, or shelf mounted on the right or on the left of the door.

2 Year Warranty



• Operator Range

Current Consumption (Amp.)

Horse Power	115V 1 Ph	230V 1 Ph	208/230V 3 Ph	460V 3 Ph	575V 3 Ph
1/3*	6.6	3.3	-	-	-
1/2	8.0	4.0	2.1	1.0	0.8
3/4	11.2	5.6	3.2	1.5	1.2
1	13.6	6.8	4.4	2.1	1.6

General Guideline

*Only available in the US

• Motor Control

Contactors Units: 24VAC control circuit, 40VA class II transformer, fuse protected on output, heavy-duty across-the-line linear reversing contactor with mechanical interlock. C2 wiring is standard. B2 can be set very easily by moving one wire. Available options: delay on reverse, timer to close, double limits, etc...

or

ECB Units: 24Vdc relaying and 5Vdc logic circuit with a 40VA class II transformer, non-volatile memory. Features available: 1.5s delay on reverse, programmable maximum run timer, mid-stop, timer to close, programmable advance close system, test buttons, reverse wiring detection and door lock sensor. Operating mode selectable on site: C2, B2, D1, E2, T or TS.

• Main Options

Control Accessories: terminal strip allows connection of 3-button stations (one supplied with the operator), sensing edges, photo cells, one push-button radio control (external strip), ceiling pull and key switches, loop detectors, external interlocks. 2A fuse protected 24VAC output is available for accessory power supply.

Environmental Modifications: NEMA 4/12 and NEMA 4X enclosures. For NEMA 7/9, please consult inside sales.

Mechanical Accessories: wall mounting bracket, chain spreader, etc..., consult inside sales.

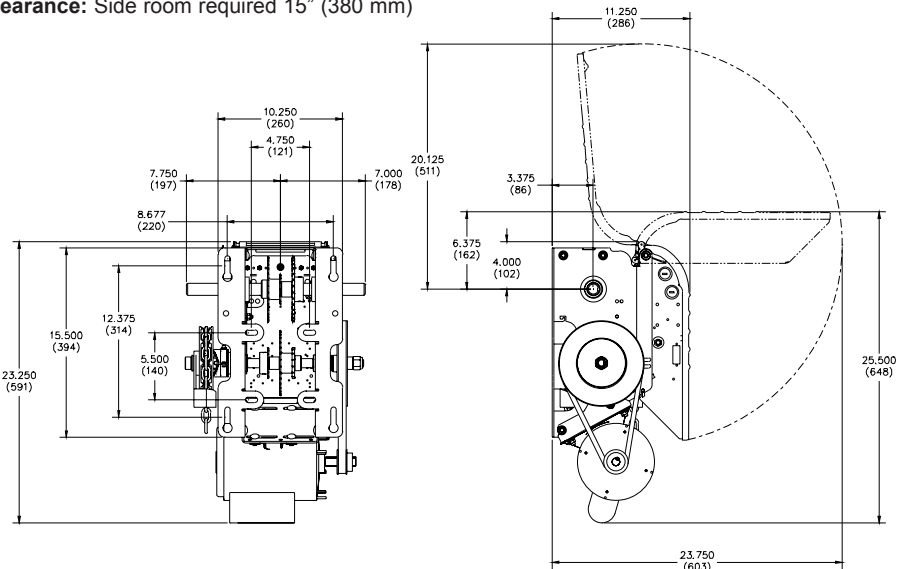
• Motor Selection

Maximum Size of Door in Square Feet

Horse Power	Rolling Doors					Sectional Doors				General Guideline
	Insulated Steel	16 ga. Steel	Steel Grilles 20 ga. Steel	Alu. Door 22 ga. Steel	Alu. Grilles 24 ga. Steel	Steel 18 ga. ins.	Steel 18 ga. 20 ga. ins.	Wood Steel 20 ga. 22 & 24 ga. ins.	Aluminum Steel 22 & 24 ga.	
1/3	-	-	-	-	-	124	172	255	280	294
1/2	157	236	260	319	358	196	245	314	343	392
3/4	206	294	358	451	515	270	319	441	490	549
1	255	358	446	574	613	294	392	490	564	613

• Dimensions

Clearance: Side room required 15" (380 mm)



Approx. shipping weight: 86 lbs – 39 kg

Manaras-Opera reserves the right to make specification or design changes without prior notice.

Reg. T.M. of 9141-0720 Québec Inc.