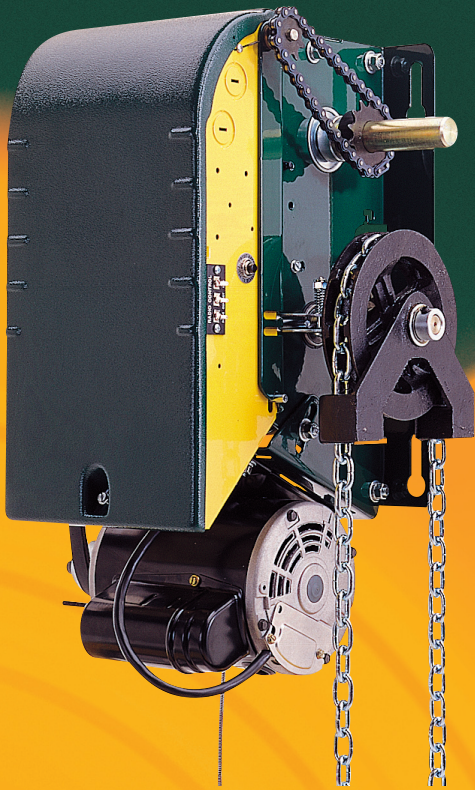


# Specification Sheet

## Opera™ - HJ



- Hoist-a-matic® self-engaging chain hoist
- Floor level disconnect for manual egress
- Door lock sensor
- Hinged cover with stable opened position
- Lifiable control box with retaining arm for easy access to mechanical parts
- Accu-cam® one hand limit setting

***Opera™-HJ, a heavy duty operator with both a self-engaging chain hoist and a floor level disconnect. It applies more specifically to the motorization of grilles when a manual egress is required.***



## • Standard Features

**Motor:** 60Hz high starting torque, continuous-duty single phase capacitor start or 3 phase motor, open drip proof, protected against overload. Also available with 50Hz 220V 1 phase and 380V 3 phase motor, consult inside sales.

**Reduction:** first step in reduction 5L/B V-belt drive, additional steps by chain and sprockets. Input shaft is 5/8" supported by precision ball bearings. Output shaft is 1" with 1/4" keyway, supported by ball bearings. Output shaft speed: 41 rpm.

**Friction Clutch:** positioned on input shaft, easily adjustable from outside.

**Drive:** #50 roller chain with a 50B12 sprocket on operator drive shaft. Door sprocket selected for a door travel of 6"/s to 12"/s.

**Brake:** mechanical brake.

**Manual Operation:** Hoist-a-matic® self-engaging hoist (not requiring a floor level engagement device to operate) for manual chain operation, as well as a manual egress release. An electrical interlock automatically disconnects power to the motor operator when the chain hoist or egress are engaged. Hand chain on right is standard.

**Electrical Enclosure:** all electrical components are in a NEMA 1 enclosure. Electrical enclosure cover is hinged and stays in the open position.

**Limit Switches:** rotary-type with oil-impregnated steel cams, commercial grade switches. Limit shaft is supported in frame by self-lubricating bronze bushing for increased precision. Remains in time when there is a manual operation or after the motor has been removed.

**Accu-cam®:** precise and quick one-handed adjustment of the limits.

**Corrosion Protection:** frame and control enclosure protected by baked on, long lasting enamel finish. All shafts protected by yellow chromate coating.

**Mounting:** wall, hood, or shelf mounted on the right or on the left of the door.

## 2 Year Warranty



## • Operator Range

### Current Consumption (Amp.)

Horse Power	115V 1 Ph	230V 1Ph	208/230V 3 Ph	460V 3 Ph	575V 3 Ph
1/3*	6.6	3.3	-	-	-
1/2	8.0	4.0	2.1	1.0	0.8
3/4	11.2	5.6	3.2	1.5	1.2
1	13.6	6.8	4.4	2.1	1.6

General Guideline

\*Only available in the US

## • Motor Control

**ECB Units:** Operating mode D1 and door lock sensor standard. 24Vdc relaying and 5Vdc logic circuit with a 40VA class II transformer, non-volatile memory. Features included: 1.5s delay on reverse, programmable maximum run timer, mid-stop, timer to close, programmable advance close system, test buttons, reverse wiring detection. Operating mode selectable on site: C2, B2 or E2.

## • Main Options

**Control Accessories:** terminal strip allows connection of 3-button stations (one supplied with the operator), sensing edges, photo cells, one push-button radio control (external strip), ceiling pull and key switches, loop detectors, external interlocks. 2A fuse protected 24VAc output is available for accessory power supply.

**Mechanical Accessories:** wall mounting bracket, chain spreader, etc..., consult inside sales.

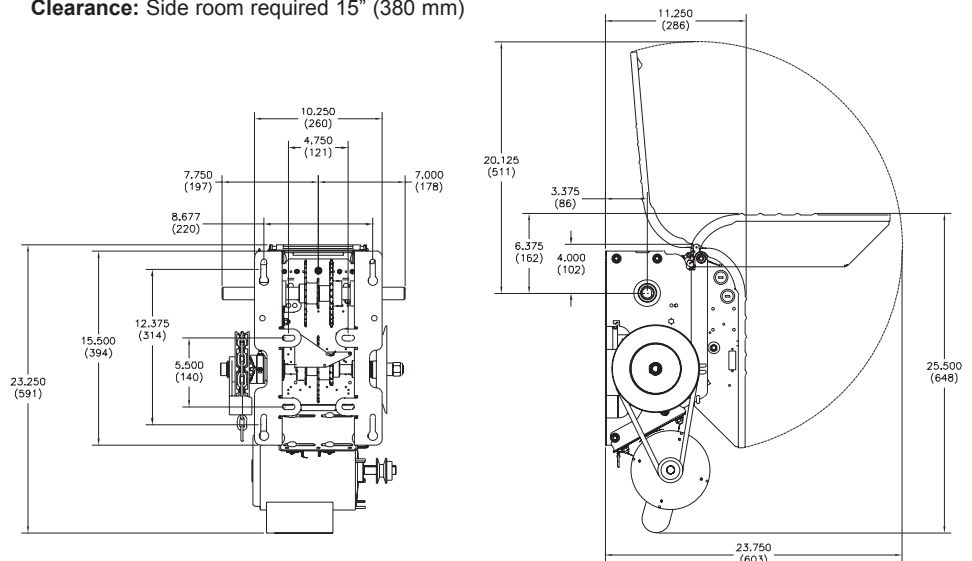
## • Motor Selection

### Maximum Size of Door in Square Feet

Horse Power	Rolling Doors					Sectional Doors				General Guideline
	Insulated Steel	16 ga. Steel	Steel Grilles 20 ga. Steel	Alu. Door 22 ga. Steel	Alu. Grilles 24 ga. Steel	Steel 18 ga. ins.	Steel 18 ga. 20 ga. ins.	Wood Steel 20 ga. 22 & 24 ga. ins.	Aluminum Steel 22 & 24 ga.	
1/3	-	-	-	-	-	124	172	255	280	294
1/2	157	236	260	319	358	196	245	314	343	392
3/4	206	294	358	451	515	270	319	441	490	549
1	255	358	446	574	613	294	392	490	564	613

## • Dimensions

**Clearance:** Side room required 15" (380 mm)



Approx. shipping weight: 101 lbs – 46 kg

Manaras-Opera reserves the right to make specification or design changes without prior notice.  
Reg. T.M. of 9141-0720 Québec Inc.