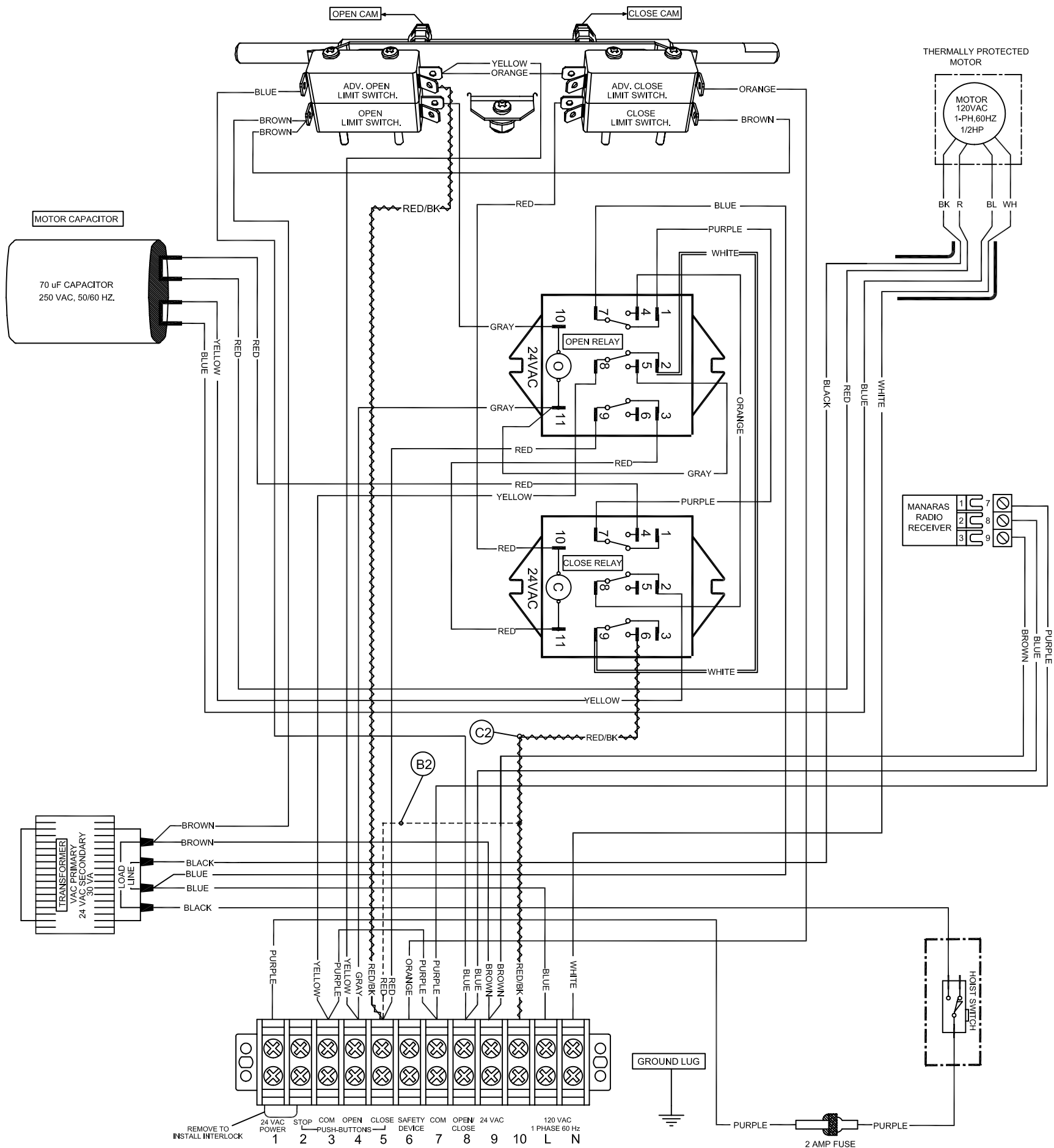
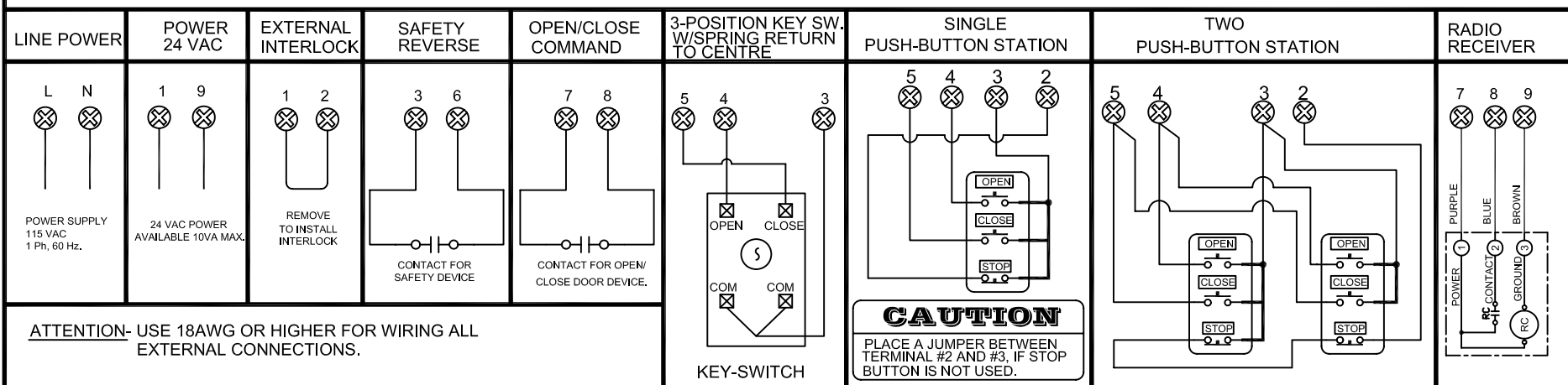


DRAWING-OPERAMD-W



EXTERNAL WIRING



ON SITE MODIFICATIONS



WARNING
MOTORISED DOORS CAN CAUSE SERIOUS INJURIES OR DEATH. MANARAS STRONGLY RECOMMENDS THE USE OF ENTRAPMENT PROTECTION SYSTEMS, ESPECIALLY IN THE CASES OF MOMENTARY CONTACT TO CLOSE AS IN B2 WIRING.

NOTE-C2/ B2

C2 → B2 REMOVE THE RED WIRE WITH RAPID CONNECTOR FROM TERMINAL #10, AND TRANSFER IT TO TERMINAL #5.

B2 → C2 REMOVE THE RED WIRE WITH RADID CONNECTOR FROM TERMINAL #5, AND TRANSFER IT TO TERMINAL #10.

TITLE: WIRING DIAGRAM- MEDIUM DUTY, 120 VAC 1-PH

DRAWN BY: BP DATE: 27.FEB.2002 CAD FILE: OPERAMD-W REV: I DATE: 28.MAY.2009

MANARAS-OPERA
136 ONEIDA DRIVE
POINTE-CLAIRE, QC H9R 1A8
TEL: 1-800-361-2260
FAX: 1-888-626-0606



THE INFORMATION CONTAINED HEREIN IS PROPRIETARY TO MANARAS-OPERA, AND SHALL NOT BE REPRODUCED OR DISCLOSED OR USED FOR ANY DESIGN OR MANUFACTURE EXCEPT WHEN USER POSSESSES DIRECT WRITTEN AUTHORIZATION FROM MANARAS-OPERA.