

71	1	OPERA CBOX CAMPLATE	CAMPLATE015	5
72	1	OPERA CONTROL BOX	CBOX025	35
73	1	OPERA CONTROL BOX COVER	COVER047	8
74	1	OPERA COVER ARM	ARM025	3
75	1	OPERA LIMIT LEVER	LEVER070	8
76	4	OPERA LIMIT SHAFT BUSHING	BUSHING055	1
77	1	OPERA POCKETWHEEL	POCKETWHEEL005	1
78	2	PIN SLOTTED SPRING 1/4 X 2	PIN011	
79	1	POP RIVET 1/8 X (0.126-0.187)	RIVET003	
80	1	PUSH NUT 177-061	CLIP015	
81	1	RADIO CONTROL TERM STRIP	TSTRIP005	
82	1	REDUCER BREATHER	REDUCER_BREATHER	
83	1	REDUCER DSM 70 44:1 FR56C	REDUCER012	4
84	1	RESET	RESET	
85	1	SEALED BEARING 1/4 - 5/8 - 3/16	BEARING043	
86	1	SHAFT #2 LIMIT SHAFT C12L14	SHAFT103	5
87	1	SINGLE LIM. SW. AND LEVER	LIMIT001	
88	1	SOLENOID	SOLENOID	
89	1	SOLENOID SUPPORT	BRACKET196	2
90	1	SPACER 1/2 X 0.26 X 1/4 NYLON	SPACER014	
91	2	SQUARE KEY 1/4 X 1/4 (INCL. W/REDUCER)	KEY	0
92	4	STD SINGLE LIMIT SWITCH	LIMIT015	
93	1	STEEL COLLAR 0.375" ID (22563)	COLLAR002	
94	1	TELEM. REVERS. CONT. 24V	CONTACTOR044	
95	1	TERMINAL STRIP 12 POSITIONS	TSTRIP001	
96	2	TOGGLE SWITCH SPRING	SPRING030	
97	1	TRANSFO 120/240-24 40VA	TRANSF143	
98	1	TROLLEY ARM DISCONN SPRING	SPRING026	
99	3	TYPE A PLAIN WASHER 1/4 N ZP	WASHER004	
100	3	TYPE A PLAIN WASHER 3/16 ZP	WASHER003	

No	Qty	DESCRIPTION	# MANARAS	REV
1	2	6-32 HEX NYLON LOCK NUT ZP	NUT018	
2	4	6-32 X 1-5/8	SCREW097	
3	11	6-32 X 3/8 TYPE F S-TAP. SCREW	SCREW094	
4	8	6-32 X 5/8 TYPE F S-TAP. SCREW	SCREW095	
5	2	6-32 X 7/8 TYPE F S-TAP. SCREW	SCREW096	
6	3	10-24 X 1/2 TYPE F S-TAP. SCREW	SCREW067	
7	1	10-24 X 3/4 TYPE F S-TAP. SCREW	SCREW023	
8	10	10-24 X 3/8 TYPE F S-TAP. SCREW	SCREW022	
9	1	10-32 HEX NYLON LOCK NUT ZP	NUT019	
10	1	10-32 X 1/2 MACHINE SCREW	SCREW054	
11	1	10-32 X 3/16 SET SCREW	SCREW098	
12	1	#410-1R52P(INCL.1CL.)	CHAIN071	
13	1	#50 CONNECTING LINK 50-1	LINK011	
14	1	1" IDx1 1/2" OD X 0.010" THK	SPACER016	
15	3	1/4-20 HEX NYLON LOCK NUT ZP	NUT020	
16	1	1/4-20 X 1-1/2 HEX BOLT	BOLT099	
17	1	1/4-20 X 1-1/4 RND HD SQ NECK BOLT	BOLT083	
18	1	1/4-20 X 1-3/4 RND HD SQ NECK BOLT	BOLT094	
19	1	1/4-20 X 3/4 HEX BOLT	BOLT002	
20	2	1/4-20 X 5/16 SET SCREW	SCREW001	
21	2	3/8-16 X 1 HEX BOLT	BOLT023	
22	2	3/8-16 X 1-3/4 HEX BOLT	BOLT029	
23	1	410B18-1:1/4 K1/4-2S5/16	SPR410B18X11/4	2
24	1	410B9-3/8 K0-2S1/4	SPR410B9X3/8	2
25	9	5/16-18 X 5/16 SET SCREW	SCREW003	
26	4	5/16-18 X 5/8 HEX BOLT	BOLT018	
27	1	ADJUSTMENT BRAKE LEVER	LEVER084	3
28	1	BEVEL GEAR GH MGH 5/8 20TH	GEAR001	2
29	1	BRAKE DRUM 5/8 WITH GROOVE	DRUM004	8
30	1	BRAKE LEVER PIVOT	BUSHING053	3
31	1	BRAKE LINKAGE PIN	PIN023	1
32	1	BRAKE RELEASE LEVER	LEVER081	
33	1	BRAKE RELEASE SUPPORT	BRACKET197	
34	1	BRAKE SHOE ASS FOR STD BRAKE	BRAKEPART017	
35	1	CABLE STRAIN RELIEF 5/8 OD	BUSHING058	
36	1	CAM GUIDE PLATE SPRING C260047	SPRING001	
37	2	CAM LIMIT OPERA	CAM011	2
38	1	CHAIN GUIDE 6 3/8	GUIDE012	
39	2	COLLAR 5/8"	COLLAR004	
40	1	COTTER PIN 1/8 X 1-1/2	PIN001	
41	1	DISCONNECT BEVEL GEAR 5/8 20TH	GEAR014	
42	1	DISCONNECT COUPLING	COUPLING016	
43	1	DPDT 120V RELAY	RELAY026	
44	1	DPDT 24V RELAY	RELAY024	
45	1	EXT. 5/8" SELF-LOCKING RET. RING	CLIP024	
46	1	EXT. RETAINING RING 1.313"	CLIP019	
47	1	EXTERNAL 3/4 RETAINING RING	CLIP006	
48	1	EXTERNAL 3/8 RETAINING RING	CLIP021	
49	1	FLANGE BUSHING 5/8-3/4-1/2	BUSHING002	
50	3	FLT WASHER 5/8 (.630X.955X.047) ZP	WASHER018	
51	1	GROUND LUG TA61G-JL	CONNECTOR039	
52	1	HAND CHAIN 31.4-19.5-1000	CHAIN002	
53	1	HELICAL SPRING LOCK WASHER 1/4 ZP	WASHER026	
54	4	HELICAL SPRING LOCK WASHER 3/8 ZP	WASHER030	
55	4	HELICAL SPRING LOCK WASHER 5/16 ZP	WASHER028	
56	1	KEY 0.188 X 1.38 (INCL. W/ MOTOR)	KEY	
57	1	KEY 3/16 X 3/4	KW010	5
58	1	KEY 3/16 X 9/16	KW031	5
59	1	LINK #41 HALF 41-1	LINK005	
60	1	LOCKING LUG BUSHING 1" I.D	BUSHING060	
61	1	MJ DISCONNECT HOIST SPRING	SPRING012	
62	1	MOTOR	MOTOR	
63	1	OGH BRAKE FRAME COVER	COVER049	3
64	1	OGH BRAKE LEVER N-1	LEVER080	
65	1	OGH CAM DISCONNECT	CAM014	
66	1	OGH CBOX SUPPORT FRAME	FRAME040	5
67	1	OGH FRAME BRAKE	FRAME041	4
68	1	OGH FRICT. SHOE ASSY FEM.	SHOE016	
69	1	OGH FRICT. SHOE ASSY MALE	SHOE017	
70	1	OGH HOIST SHAFT	SHAFT115	2

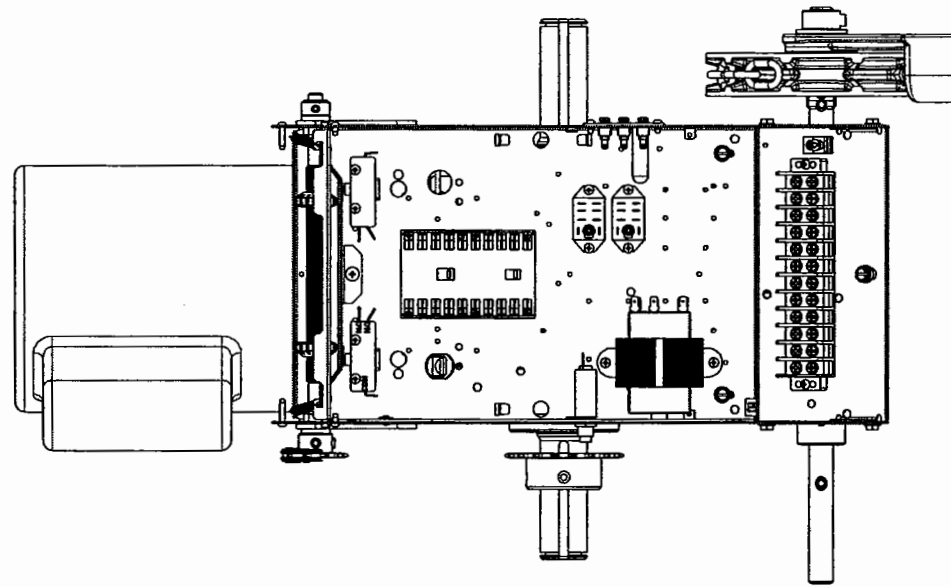
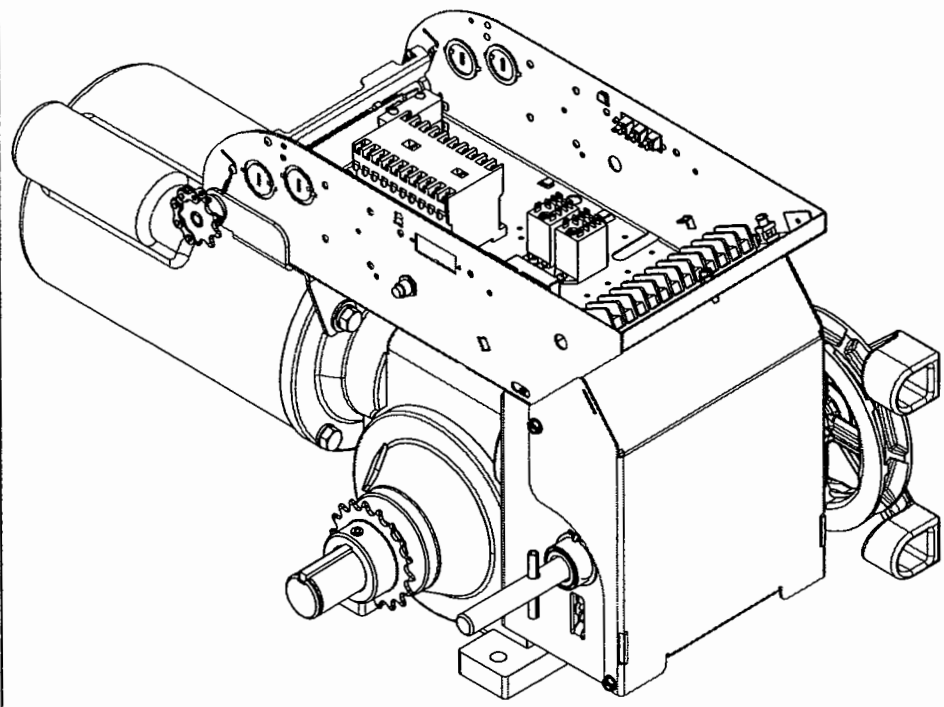
101	4	TYPE A PLAIN WASHER 5/16 W ZP	WASHER008	
102	1	TYPE A PLAIN WASHER 5/8 N ZP	WASHER014	
103	1	TYPE B PLAIN WASHER No.4 R ALU	WASHER056	
104	1	WIRE PROTECTION BUSHING 7/16	BUSHING061	

PART DESCRIPTION
OGH SINGLE PHASE 1.5 TO 2HP
 PART NUMBER
OPERA GH
 DRAWN DATE:
 2003-07-17
 LAST UPDATE:
 2009-05-20 INITIAL
 G.T

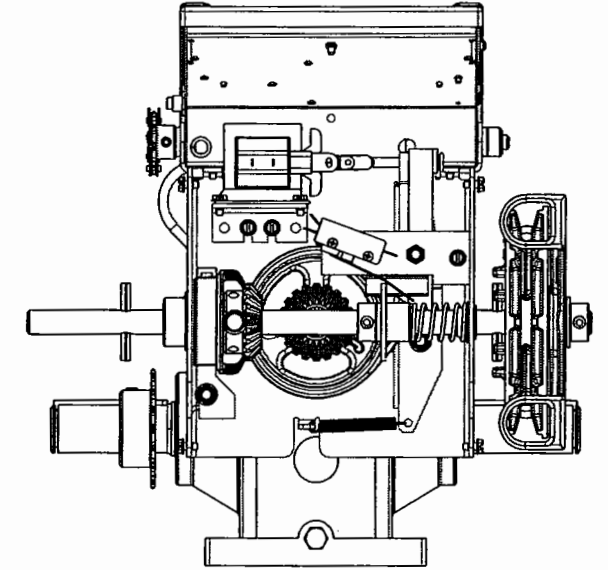
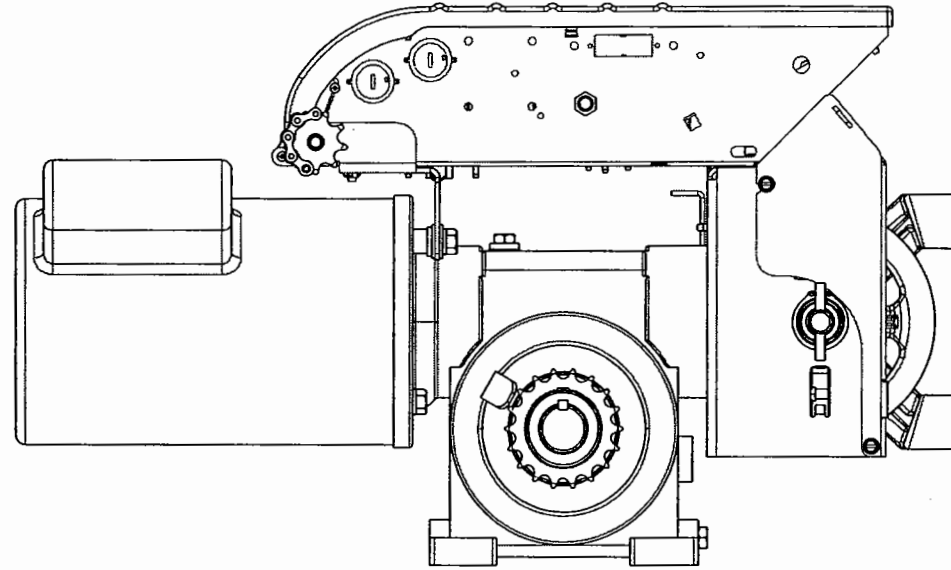
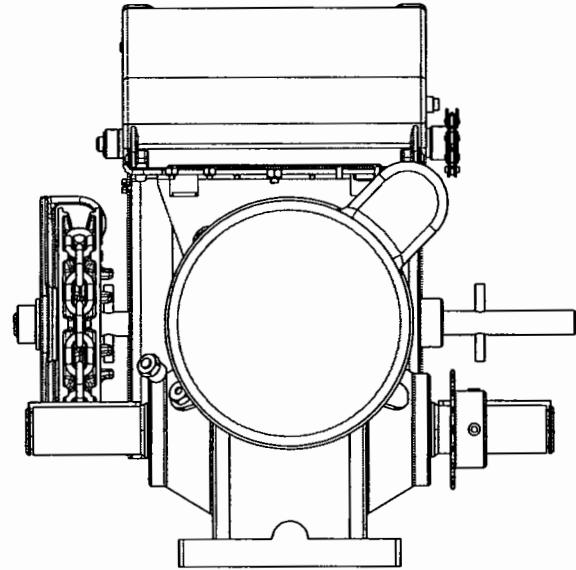
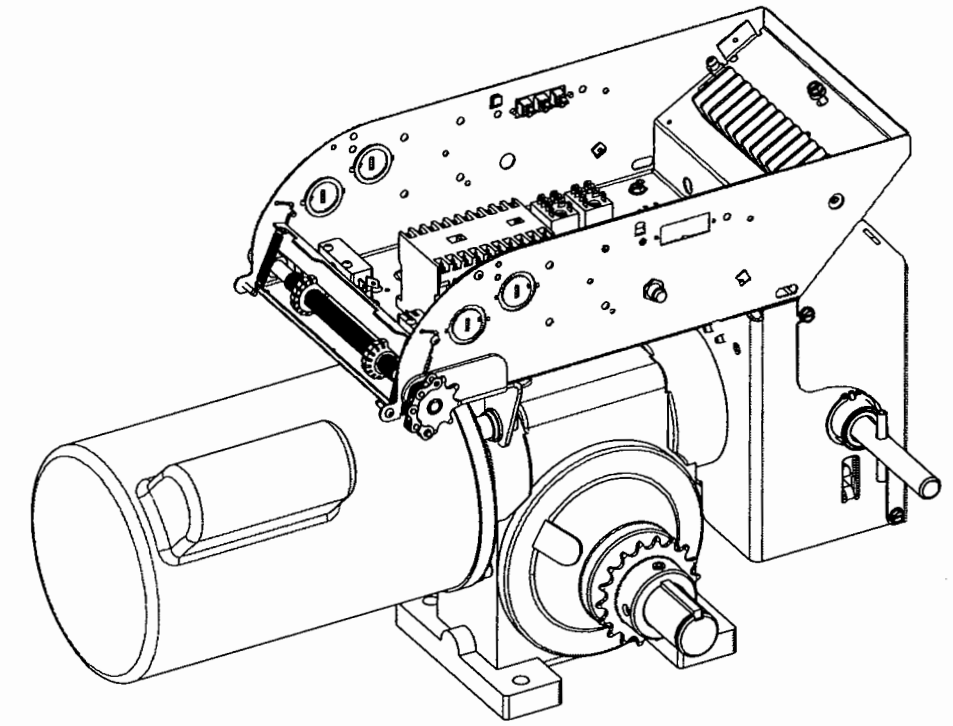
MANARAS-OPERA
 136 ONEIDA DRIVE
 POINTE-CLAIRE, QC, H9R 1A8
 TEL: 1-800-361-2260
 FAX: 1-888-626-0606

Manaras
Opera
 DRAWN BY: N. VIAU SHEET: 1 of 3

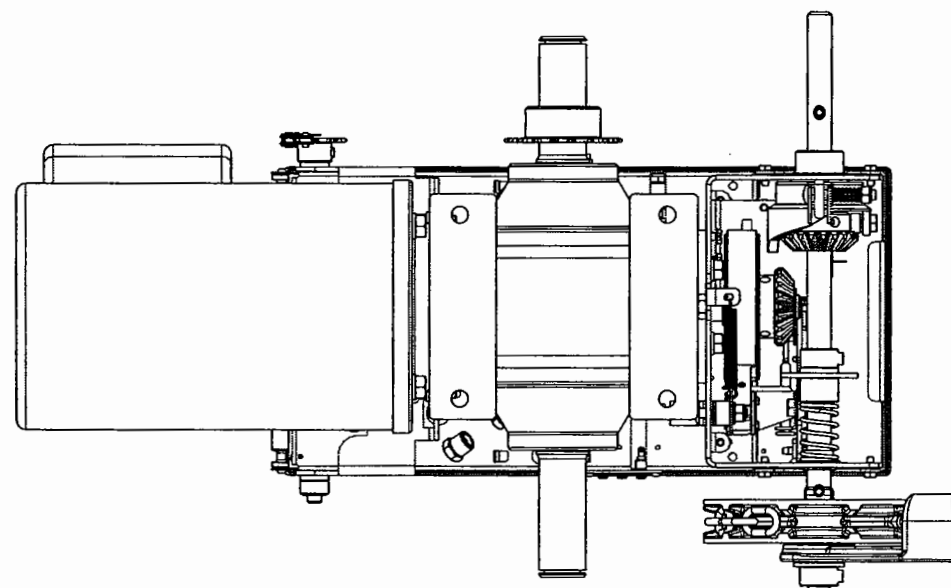
CONFIDENTIAL: THIS DRAWING AND/OR THE INFORMATION CONTAINED HEREIN IS AND REMAINS THE SOLE PROPERTY OF, AND IS PROPRIETARY TO, MANARAS-OPERA. THIS DRAWING AND/OR INFORMATION SHALL BE KEPT CONFIDENTIAL AND MAY NOT BE REPRODUCED, COPIED, MODIFIED, DISCLOSED, TRANSFERRED, OR MADE AVAILABLE TO OTHERS, EXCEPT WITH THE EXPRESS CONSENT OF MANARAS-OPERA. IT IS LOANED IN CONFIDENCE FOR MUTUAL ASSISTANCE PURPOSES ONLY. MANARAS-OPERA MAY AT ANY TIME, WRITTEN MODIFY THE DRAWING AND/OR INFORMATION CONTAINED HEREIN.




TOP AND ISO VIEWS SHOWN WITHOUT COVER047



VIEW SHOWN WITHOUT COVER049



PART DESCRIPTION		
OGH SINGLE PHASE 1.5 TO 2HP		
PART NUMBER	OPERA GH	MANARAS-OPERA 136 ONEIDA DRIVE POINTE-CLAIRE, QC, H9R 1A8 TEL: 1-800-361-2260 FAX: 1-888-626-0606
DRAWN DATE:	2008-08-29	
LAST UPDATE:	2009-05-20	INITIAL G.T
DRAWN BY:		SHEET:
G. THOMAS		2 of 3

CONFIDENTIAL: THIS DRAWING AND/OR THE INFORMATION CONTAINED HEREIN IS AND REMAINS THE SOLE PROPERTY OF, AND IS PROPRIETARY TO, MANARAS-OPERA. THIS DRAWING AND/OR INFORMATION SHALL BE KEPT CONFIDENTIAL AND MAY NOT BE REPRODUCED, COPIED, MODIFIED, DISCLOSED, TRANSFERRED, OR MADE AVAILABLE TO OTHERS, EXCEPT WITH THE EXPRESS CONSENT OF MANARAS-OPERA. IT IS LOANED IN CONFIDENCE FOR MUTUAL ASSISTANCE PURPOSES ONLY. MANARAS-OPERA MAY AT ANY TIME, WRITTEN MODIFY THE DRAWING AND/OR INFORMATION CONTAINED HEREIN.