

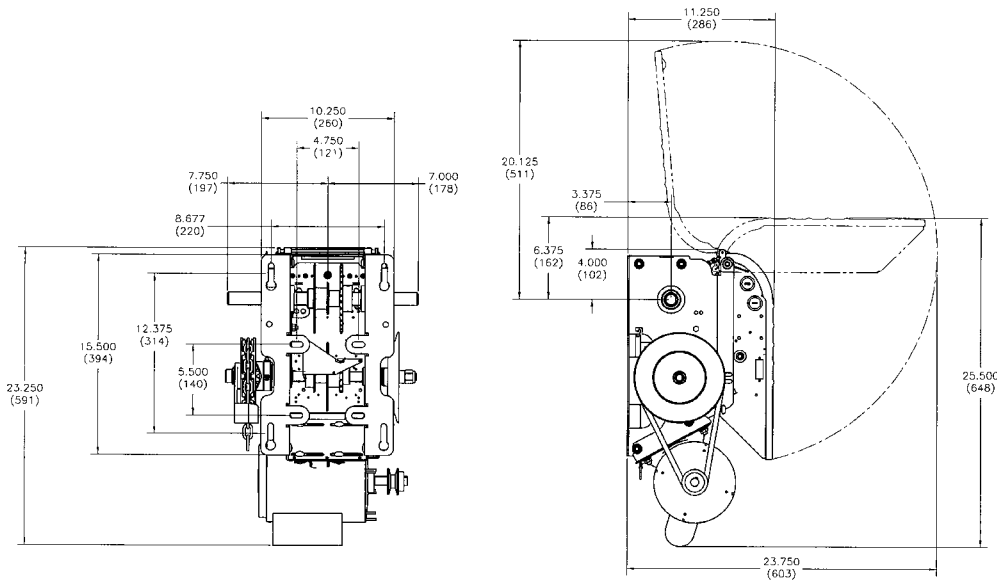
Opera-HJ model

Jackshaft Operator

Heavy-Duty Hoist With Emergency Egress

Customer:		
Project:		
Architect/Engineer:		
Contractor:		
Drawing No.:	Date:	Sheet of

Shop Drawing



Motor Amperage Rating					
HP	Voltage - Phase				
	115 V - 1 Ph	230 V - 1 Ph	208 / 230 V - 3 Ph	460 V - 3 Ph	575 V - 3 Ph
1/3*	6.6	3.3	-	-	-
1/2	8.0	4.0	2.1	1.0	-
3/4	11.2	5.6	3.2	1.5	-
1	13.6	6.8	4.4	2.1	-

* Only available in the US

• Specifications For Ordering

Quantity:		Model Number:			
HP:	Amperage:	Volts:	Phase:	Hertz:	
Door Type:	Width:	Height:	Lift:		
Hand Chain: (Circle One) Left or Right		Drive Sprocket: (Circle One) Left or Right			
Supply	3-Push Button Station(s) in NEMA		Enclosure Per Operator		

Supply Auxiliary and Optional Equipment as specified below: One per operator unless otherwise noted.

• Notes:

1. Refer to model OHJ Specification Sheet for General Information
2. Refer to Drawing _____ for Wiring Diagram

Toll Free: 800.361.2260
 info@manaras.com
 www.manaras.com

Reg. T.M. of 9141-0720 Québec Inc.

