

71	1	OPERA SPACER 1"	SPACER009	1
72	1	OPERA SPACER 3/4"	SPACER008	1
73	2	PIN SLOTTED SPRING 1/4 X 1-3/4	PIN020	
74	1	PIN SLOTTED SPRING 3/16 X 2	PIN008	
75	1	PIN SLOTTED SPRING 5/16 X 2	PIN021	
76	1	POP RIVET 1/8 X (0.126-0.187)	RIVET003	
77	3	POP RIVET 5/32 X (0.063-0.125)	RIVET004	
78	1	PULLEY 7" x 5/8" 5L/B	PULLEY020	5
79	1	PUSH NUT 177-061	CLIP015	
80	1	PW ASSEMBLY (ROLLERS AND CLIPS)	POCKETWHEEL007	
81	1	RADIO CONTROL TERM STRIP	TSTRIP005	
82	1	RESET	RESET	
83	1	RIGHT HAND SIDE FOR OPERA	FRAMED37	17
84	1	ROD CBOX OPERA	ROD019	1
85	1	SHAFT #2 LIMIT SHAFT C12L14	SHAFT103	5
86	1	SPR410B9X3/8 2SS	SPR410B9X3/8	
87	1	SPROCKET	SPR410B14X3/4	
88	1	SPROCKET	SPR41B14A410B32X75	

No	Qty	DESCRIPTION	# MANARAS	REV
1	4	6-32 HEX NUT ZP	NUT002	
2	4	6-32 HEX NYLON LOCK NUT ZP	NUT018	
3	4	6-32 X 2-1/2 MACHINE SCREW	SCREW046	
4	9	6-32 X 3/8 TYPE F S-TAP. SCREW	SCREW094	
5	8	6-32 X 5/8 TYPE F S-TAP. SCREW	SCREW085	
6	2	6-32 X 7/8 TYPE F S-TAP. SCREW	SCREW096	
7	1	10-24 X 3/4 TYPE F S-TAP. SCREW	SCREW023	
8	1	10-32 X 3/16 SET SCREW	SCREW098	
9	1	#41-1R48P(INCL.1CA)	CHAIN059	
10	1	#410-1R32P(INCL.1CA)	CHAIN006	
11	2	#410-1R48P(INCL.1CA)	CHAIN058	
12	2	1/4-20 HEX NYLON LOCK NUT ZP	NUT020	
13	1	1/4-20 X 1-3/4 RND HD SQ NECK BOLT	BOLT094	
14	1	1/4-20 X 3/4 HEX BOLT	BOLT002	
15	2	1/4-20 X 5/16 SET SCREW	SCREW001	
16	12	5/16-18 HEX NUT ZP	NUT007	
17	12	5/16-18 X 3/4 RND HD SQ NECK BOLT	BOLT093	
18	9	5/16-18 X 5/16 SET SCREW	SCREW003	
19	2	5/8-18 HEX JAM NUT ZP	NUT013	
20	7	BELLEVILLE WASHER (31.5X16.3X0.8)	WASHER035	
21	1	CABLE STRAIN RELIEF 5/8 OD	BUSHING058	
22	1	CAM DISCONNECT OPERA	CAM010	6
23	1	CAM GUIDE PLATE SPRING C260047	SPRING001	
24	2	CAM LIMIT OPERA	CAM011	2
25	1	CHAIN GUIDE 6 3/8	GUIDE012	
26	1	CL.PAD 5/8x4x0.125"	CLUTCHPAD005	3
27	1	CLOSE LIMIT ACTUATOR	LEVER092	2
28	3	COLLAR 1"	COLLAR007	
29	1	COLLAR 3/4	COLLAR005	
30	2	COLLAR 5/8"	COLLAR004	
31	1	DISCONNECT SWITCH SHOE	SHOE010	4
32	1	DISCONNECT SWITCH SHOE *A	SHOE009	5
33	1	DOUBLE SPROCKET OPERA 1"	SPR410B14A32X1	2
34	1	DPDT 120V RELAY	RELAY026	
35	1	DPDT 24V RELAY	RELAY024	
36	1	EXTERNAL 3/8 RETAINING RING	CLIP021	
37	1	FDGHE FW 5/8 ID x 11/8 TRA1018	BEARING024	
38	2	FLANGE BEARING 1" C16-3F*5	BEARING007	
39	2	FLANGED BEARING 5/8	BEARING006	
40	1	FLT WASHER 1/4 (.266X.75X.062) ZP	WASHER061	
41	1	FLT WASHER 5/8 (.630X.955X.047) ZP	WASHER018	
42	1	FLT WASHER 5/8 (.640X1.18X.065) ZP	WASHER043	
43	1	GROUND LUG TA61G-UL	CONNECTOR039	
44	1	HAND CHAIN 31.4-19.5-1000	CHAIN002	
45	12	HELICAL SPRING LOCK WASHER 5/16 ZP	WASHER028	
46	4	HELICAL SPRING LOCK WASHER NO 6 ZP	WASHER023	
47	1	INPUT SHAFT OPERA-H	SHAFT104	8
48	4	INTERNAL TOOTH LOCKWASHER NO6 ZP	WASHER062	
49	1	KEY 1/4 X 1	KW021	5
50	1	KEY 3/16 X 9/16	KW031	5
51	1	LEFT HAND SIDE FOR OPERA	FRAME038	17
52	6	LIMIT SWITCH SPACER 1/4 X 1/4 ALLU.	SPACER017	
53	1	MOTOR	MOTOR	
54	1	MOTOR PULLEY 2.0 x 5/8 5L STL	PULLEY014	1
55	1	OILLITE WASHER (.625X1.00X.125)	WASHER057	
56	1	OPEN LIMIT ACTUATOR	LEVER091	2
57	1	OPERA - DISCONNECT SPRING	SPRING040	3
58	1	OPERA - CBOX ARM	ARM024	5
59	1	OPERA CBOX ARM L BRACKET	BRACKET181	3
60	1	OPERA CBOX CAMPLATE	CAMPLATE015	5
61	1	OPERA CBOX ROD SPRING	SPRING039	7
62	1	OPERA CLUTCHPLATE	CLUTCHPLATE006	3
63	1	OPERA CONTROL BOX	CBOX025	36
64	1	OPERA CONTROL BOX COVER	COVER047	8
65	1	OPERA COVER ARM	ARM025	3
66	1	OPERA DISCONNECT SPRING BUSHING	BUSHING056	2
67	1	OPERA HANDLE	HANDLE005	8
68	2	OPERA LIMIT SHAFT BUSHING	BUSHING055	1
69	1	OPERA MOTOR PLATE	PLATE078	9
70	1	OPERA OUTPUT SHAFT	SHAFT102	5

89	1	SPROCKET 410B14 X 1K0 1S3/8	SPR410B14X1	
90	1	SPROCKET 41B32X1 PH5/16	SPR41B32X1P313	
91	1	STD SINGLE LIMIT SWITCH	LIMIT015	
92	1	STEEL COLLAR 0.375" IDX(22563)	COLLAR002	
93	1	TELEM. REVERS. CONT. 24V	CONTACTOR044	
94	1	TERMINAL STRIP 12 POSITIONS	TSTRIP001	
95	1	TRANSFO 120/240-24 40VA	TRANSF143	
96	12	TYPE A PLAIN WASHER 1/4 W ZP	WASHER007	
97	1	TYPE A PLAIN WASHER 3/16 ZP	WASHER003	
98	3	TYPE A PLAIN WASHER 5/8 N ZP	WASHER014	
99	1	TYPE A PLAIN WASHER NO 8 ZP	WASHER002	
100	1	TYPE B PLAIN WASHER No.4 R ALLU	WASHER056	
101	1	TYPE B, INSIDE LENGTH 29	VBELTB29	
102	4	UNIMAX SNAP-ACTING SWITCH SP-DT	LIMIT021	0

PART DESCRIPTION  
**OPERA-H SINGLE PHASE**

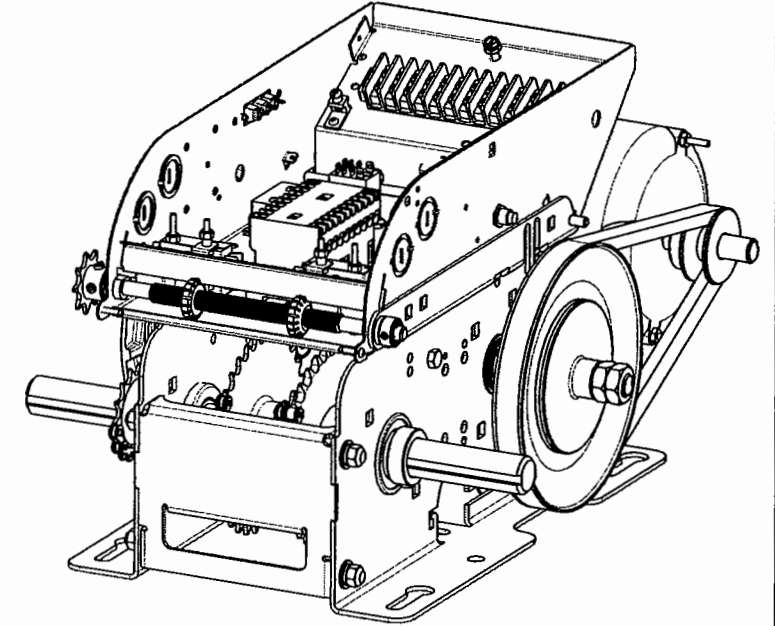
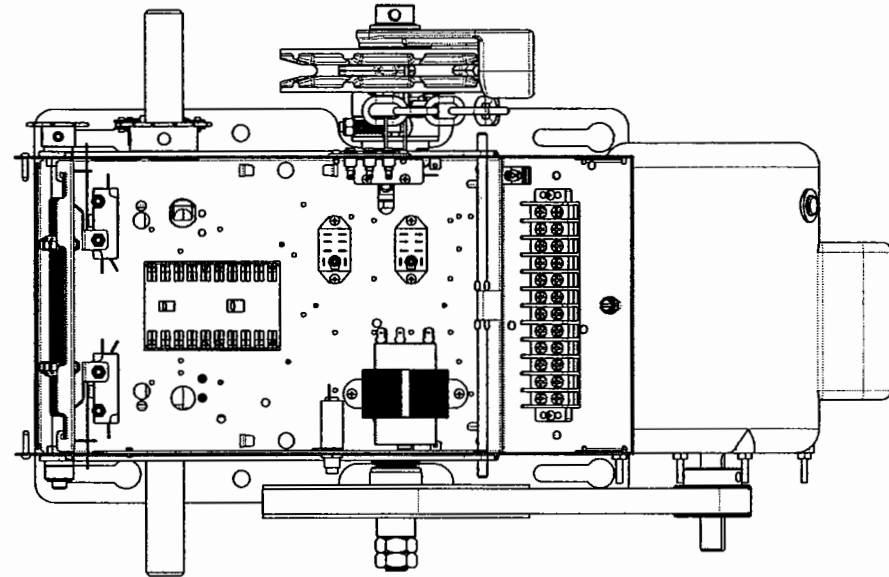
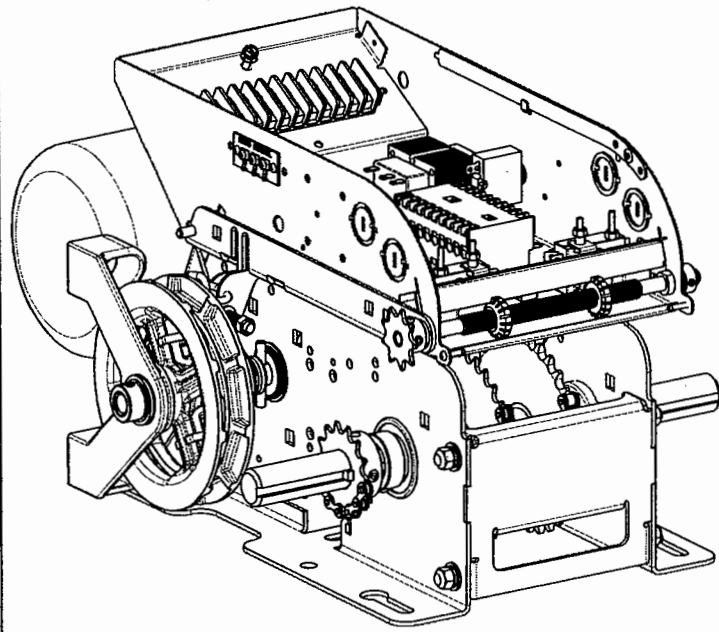
PART NUMBER  
**OPERA-H**

MANARAS-OPERA  
 136 ONEIDA DRIVE  
 POINTE-CLAIRE, QC, H9R 1A8  
 TEL: 1-800-361-2260  
 FAX: 1-888-626-0606

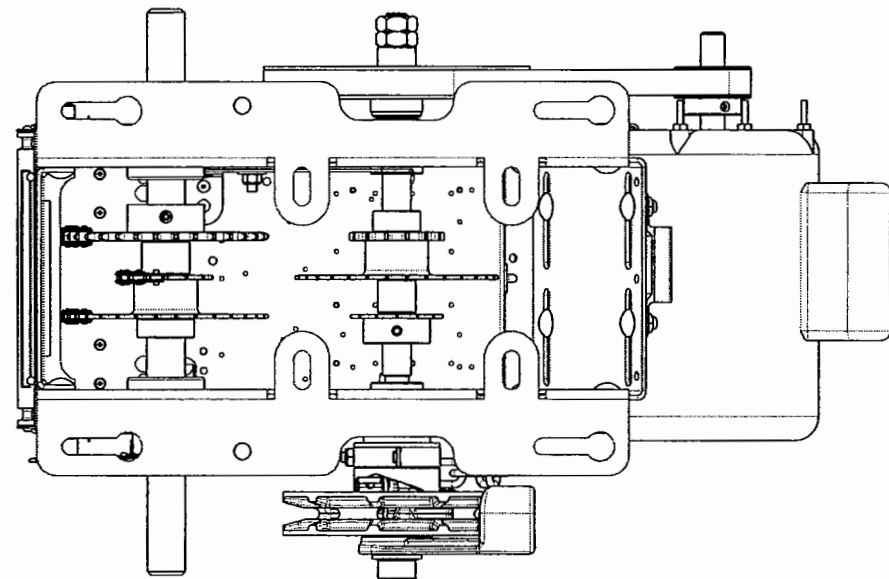
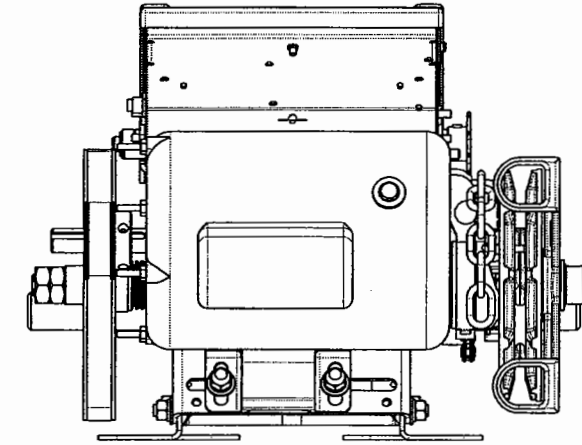
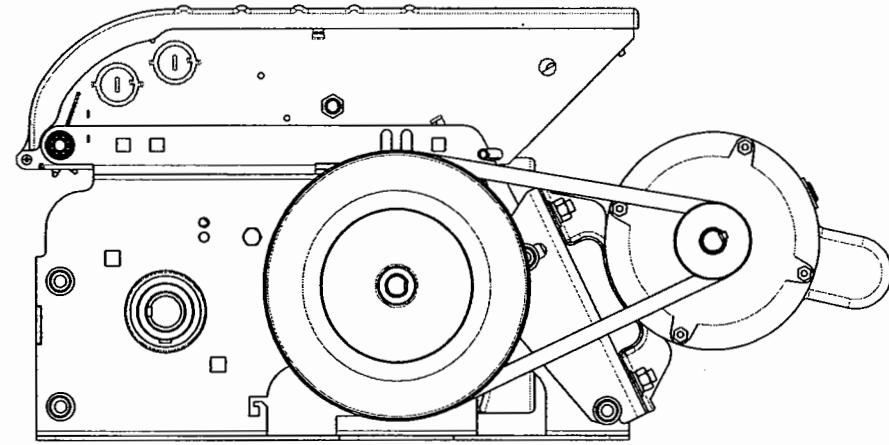
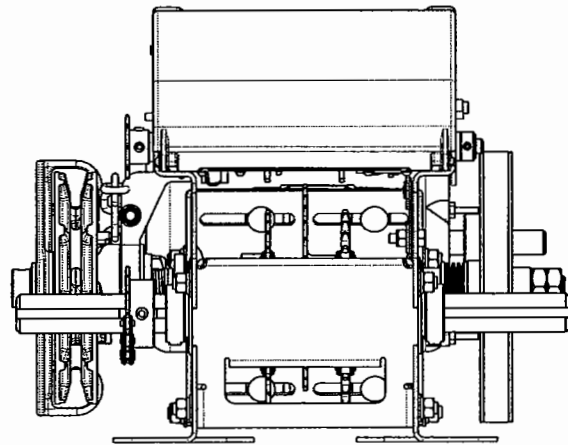
MANARAS  
 OPERA

DRAWN BY: M. BEAUCHEMIN  
 SHEET: 1 of 3

**CONFIDENTIAL:** THIS DRAWING AND/OR THE INFORMATION CONTAINED HEREIN IS AND REMAINS THE SOLE PROPERTY OF, AND IS PROPRIETARY TO, MANARAS-OPERA. THIS DRAWING AND/OR INFORMATION SHALL BE KEPT CONFIDENTIAL AND MAY NOT BE REPRODUCED, COPIED, MODIFIED, DISCLOSED, TRANSFERRED, OR MADE AVAILABLE TO OTHERS, EXCEPT WITH THE EXPRESS CONSENT OF MANARAS-OPERA. IT IS LOANED IN CONFIDENCE FOR MUTUAL ASSISTANCE PURPOSES ONLY. MANARAS-OPERA MAY AT ANY TIME, WRITTEN MODIFY THE DRAWING AND/OR INFORMATION CONTAINED HEREIN.



TOP AND ISO VIEWS SHOWN WITHOUT COVER047



PART DESCRIPTION		<b>OPERA-H SINGLE PHASE</b>	
PART NUMBER		<b>OPERA-H</b>	
DRAWN DATE:		2007-07-25	
LAST UPDATE:		2009-05-22	
INITIAL		G.T	
MANARAS-OPERA 136 ONEIDA DRIVE POINTE-CLAIRE, QC, H9R 1A8 TEL: 1-800-361-2260 FAX: 1-888-626-0606			

*Manaras*  
*Opera*

DRAWN BY:	SHEET:
G.THOMAS	2 of 3

**CONFIDENTIAL:** THIS DRAWING AND/OR THE INFORMATION CONTAINED HEREIN IS AND REMAINS THE SOLE PROPERTY OF, AND IS PROPRIETARY TO, MANARAS-OPERA. THIS DRAWING AND/OR INFORMATION SHALL BE KEPT CONFIDENTIAL AND MAY NOT BE REPRODUCED, COPIED, MODIFIED, DISCLOSED, TRANSFERRED, OR MADE AVAILABLE TO OTHERS, EXCEPT WITH THE EXPRESS CONSENT OF MANARAS-OPERA. IT IS LOANED IN CONFIDENCE FOR MUTUAL ASSISTANCE PURPOSES ONLY. MANARAS-OPERA MAY AT ANY TIME, WRITTEN MODIFY THE DRAWING AND/OR INFORMATION CONTAINED HEREIN