

71	1	OPERA MOTOR PLATE	PLATE078	9
72	1	OPERA OUTPUT SHAFT	SHAFT102	5
73	1	OPERA POCKETWHEEL	POCKETWHEEL005	1
74	1	OPERA SPACER 1"	SPACER009	1
75	1	OPERA SPACER 3/4"	SPACER008	1
76	2	OPERA WP/CP CBOX SUPPORT	BRACKET205	1
77	1	OSHW FORK PIVOT BRACKET	BRACKET204	1
78	1	OSHW INPUT SHAFT	SHAFT120	1
79	1	PIN SLOTTED SPRING 1/4 X 1-3/4	PIN020	1
80	1	PIN SLOTTED SPRING 3/16 X 2	PIN008	1
81	1	PIN SLOTTED SPRING 5/16 X 2	PIN021	1
82	1	PLATE IN CBOX WP/CP	PLATE079	7
83	1	PULLEY 7" x 5/8" 5L/B	PULLEY020	5
84	1	PUSH NUT 1/4"	CLIP016	1
85	1	RESET	RESET	1
86	1	RIGHT HAND SIDE FOR OPERA	FRAME037	17
87	1	S HOOK	HOOK001	1
88	4	SINGLE LIM. SW. AND LEVER	LIMIT001	1
89	1	SPROCKET	SPR410B14X3/4	1
90	1	SPROCKET	SPR41B14A410B32X75	1
91	1	SPROCKET 41B32X1 PH5/16	SPR41B32X1P313	1
92	1	TELEM. REVERS. CONT. 24V	CONTACTOR044	1
93	1	TELEMEC LIMIT SWITCH	UTIL025	1
94	1	TERMINAL STRIP 12 POSITIONS	TSTRIP001	1
95	1	TOGGLE SWITCH AND RESET SUPPORT BRACKET	BRACKET097	2
96	1	TRANSFO 120/240-24 40VA	TRANSF143	1
97	1	TYPE A PLAIN WASHER 1 N ZP	WASHER016	1

No	Qty	DESCRIPTION	# MANARAS	REV
1	4	6-32 HEX NUT ZP	NUT002	
2	4	6-32 HEX NYLON LOCK NUT ZP	NUT018	
3	4	6-32 X 2-1/2 MACHINE SCREW	SCREW046	
4	9	6-32 X 3/8 TYPE F S-TAP. SCREW	SCREW094	
5	6	6-32 X 5/8 TYPE F S-TAP. SCREW	SCREW095	
6	2	6-32 X 7/8 TYPE F S-TAP. SCREW	SCREW096	
7	1	7 X 7 1/16 X 16" CAW STOP 1 END	CABLE012	
8	1	8-2050 LIQUID TIGHT TUBING	BX002	
9	4	10-24 X 1/2 TYPE F S-TAP. SCREW	SCREW067	
10	4	10-32 X 3/8 MACHINE SCREW	SCREW053	
11	1	#41-1R48P(INCL.1C/L)	CHAIN059	
12	1	#410-1R 500"	CHAIN046	
13	2	#410-1R48P(INCL.1C/L)	CHAIN058	
14	4	1/4-20 HEX NUT ZP	NUT006	
15	2	1/4-20 HEX NYLON LOCK NUT ZP	NUT020	
16	2	1/4-20 X 1-1/2 HEX BOLT	BOLT008	
17	4	1/4-20 X 3/4 HEX BOLT	BOLT002	
18	2	1/4-28 X 1/4 SET SCREW	SCREW002	
19	4	3/8-16 HEX NUT ZP	NUT010	
20	4	3/8-16 X 1-1/4 RND HD SQ NECK BOLT	BOLT059	
21	1	410B18-1:1/4 K1/4-2S5/16	SPR410B18X11/4	2
22	1	410B9-5/8 K3-16-2S1/4	SPR410B9X5/8	
23	16	5/16-18 HEX NUT ZP	NUT007	
24	16	5/16-18 X 3/4 RND HD SQ NECK BOLT	BOLT093	
25	8	5/16-18 X 5/16 SET SCREW	SCREW003	
26	2	5/8-18 HEX JAM NUT ZP	NUT013	
27	2	5/8-24 HEX JAM NUT ZP	NUT015	
28	7	BELLEVILLE WASHER (31.5X16.3X0.8)	WASHER035	
29	1	BX CONNECTOR WATERTIGHT 90 DEG	ADAPTER007	
30	1	BX CONNECTOR WATERTIGHT 4950P	ADAPTER006	
31	1	CABLE SLEEVE 1/16	SLEEVE001	
32	2	CAM GUIDE PLATE SPRING C260047	SPRING001	
33	1	CHAIN GUIDE 6 3/8	GUIDE012	
34	1	CL.PAD 5/8x4x0.125"	CLUTCHPAD005	3
35	3	COLLAR 1"	COLLAR007	
36	1	COLLAR 3/4	COLLAR005	
37	1	COLLAR 5/8"	COLLAR004	
38	1	COMP. SPRING DISC. OSH	SPRING043	
39	1	DISCONNECT FORK	FORK001	5
40	1	DISCONNECT FORK AXLE	PIN022	
41	1	DOUBLE SPROCKET OPERA 1"	SPR410B14A32X1	2
42	1	DPDT 120V RELAY	RELAY026	
43	1	DPDT 24V RELAY	RELAY024	
44	1	EXT. RETAINING RING	CLIP017	
45	2	FDGHE FW 5/8ID X 11/8 TRA1018	BEARING024	
46	3	FLANGE BEARING 1" C16-3F*5	BEARING007	
47	2	FLANGE PILLOW BLOCK 0,75	BEARING044	
48	2	FLANGED BEARING 5/8	BEARING006	
49	1	GROUND LUG TA61G-UL	CONNECTOR039	
50	1	HAND CHAIN 31.4-19.5-1000	CHAIN002	
51	4	HELICAL SPRING LOCK WASHER 1/4 ZP	WASHER026	
52	4	HELICAL SPRING LOCK WASHER 3/8 ZP	WASHER030	
53	16	HELICAL SPRING LOCK WASHER 5/16 ZP	WASHER028	
54	4	HELICAL SPRING LOCK WASHER NO 6 ZP	WASHER023	
55	1	KEY 0.188 X 3.04 (INCL. W/ MOTOR)	KEY	
56	1	KEY 1/4 X 1	KW021	5
57	1	KEY 3/16 X 1-1/2 ROUNDED ENDS	KW013	5
58	1	KEY 3/16 X 9/16	KW031	5
59	1	LEFT HAND SIDE FOR OPERA	FRAME038	17
60	2	LIMIT CAM 5/8-24UNEUF	CAM004	
61	1	LIMIT SHAFT 5/8-24 X12.5	SHAFT064	1
62	12	LIMIT SWITCH SPACER 1/4 X 1/4	SPACER001	
63	1	LIQUID TIGHT BUSHING	BUSHING062	
64	1	MANUAL HOIST COUPLING	COUPLING019	1
65	1	MOTOR	MOTOR	
66	1	MOTOR PULLEY 2.0 X 5/8 5L STL	PULLEY014	1
67	1	MTH/MTBH CAMPLATE N-1	CAMPLATE012	4
68	1	OILLITE WASHER (.625X1.00X.125)	WASHER057	
69	1	OPERA CLUTCHPLATE	CLUTCHPLATE006	3
70	1	OPERA HANDLE	HANDLE005	8

98	16	TYPE A PLAIN WASHER 1/4 W ZP	WASHER007	
99	4	TYPE A PLAIN WASHER 3/16 ZP	WASHER003	
100	3	TYPE A PLAIN WASHER 5/8 N ZP	WASHER014	
101	1	TYPE B, INSIDE LENGTH 29	VBELTB29	
102	1	VINCKIER N-4X 12 X 10 X 5	PANEL078	
103	1	WATERPROOF CBOX TSTRIP SUPPORT	BRACKET178	2
104	1	WP/CP CUT-OFF SWITCH SUPPORT	BRACKET206	

PART DESCRIPTION
OPERA-HW

PART NUMBER
OPHW-6112-0000

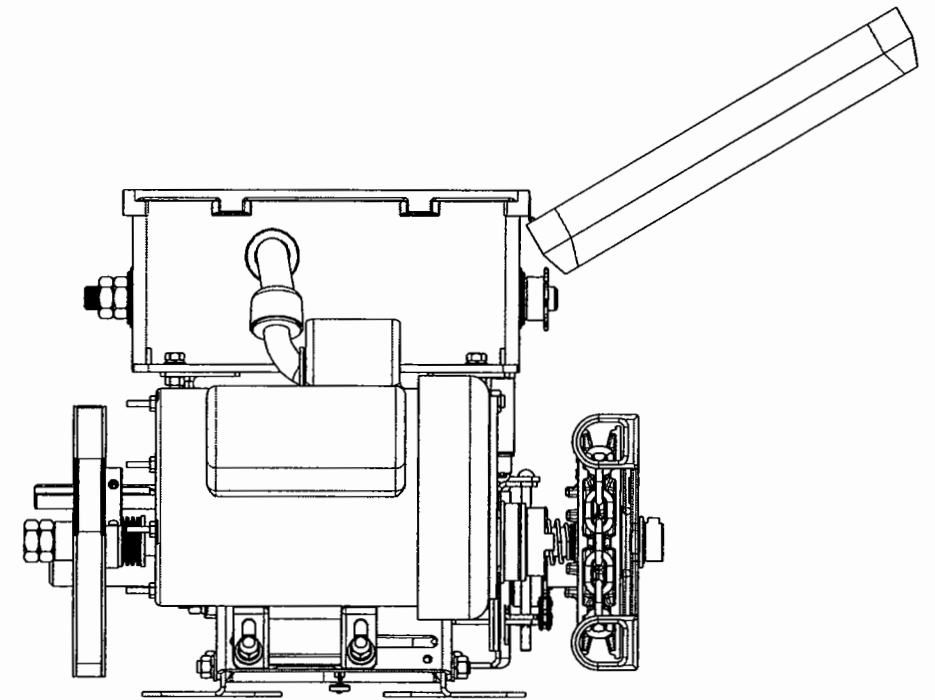
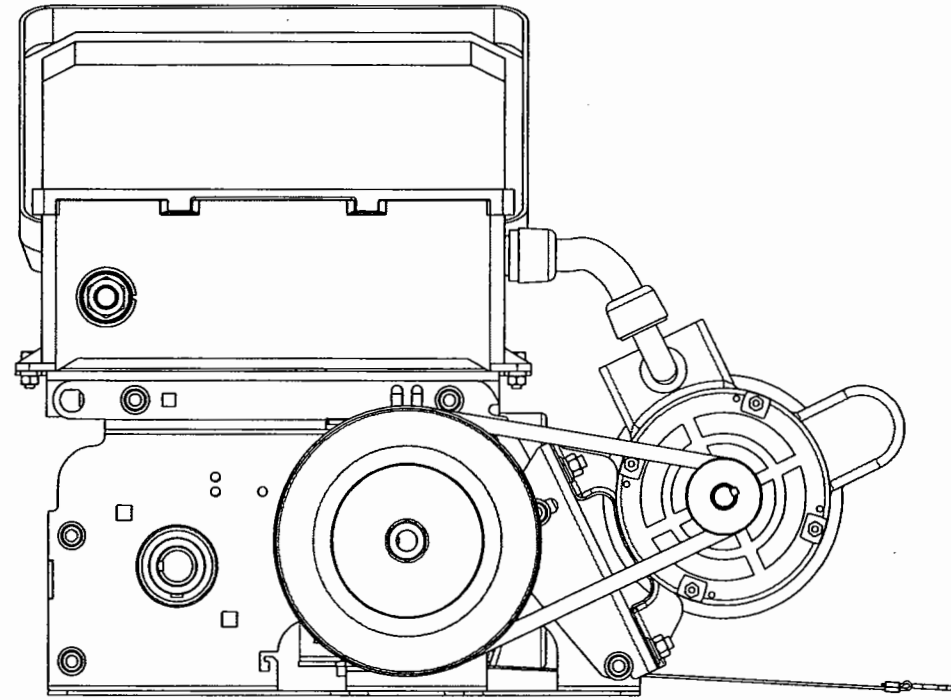
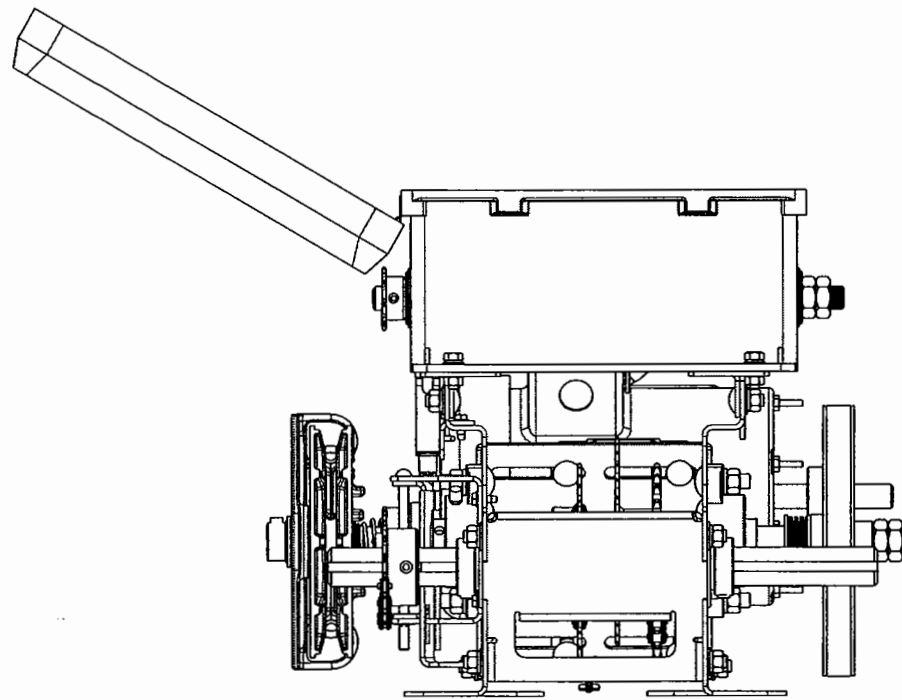
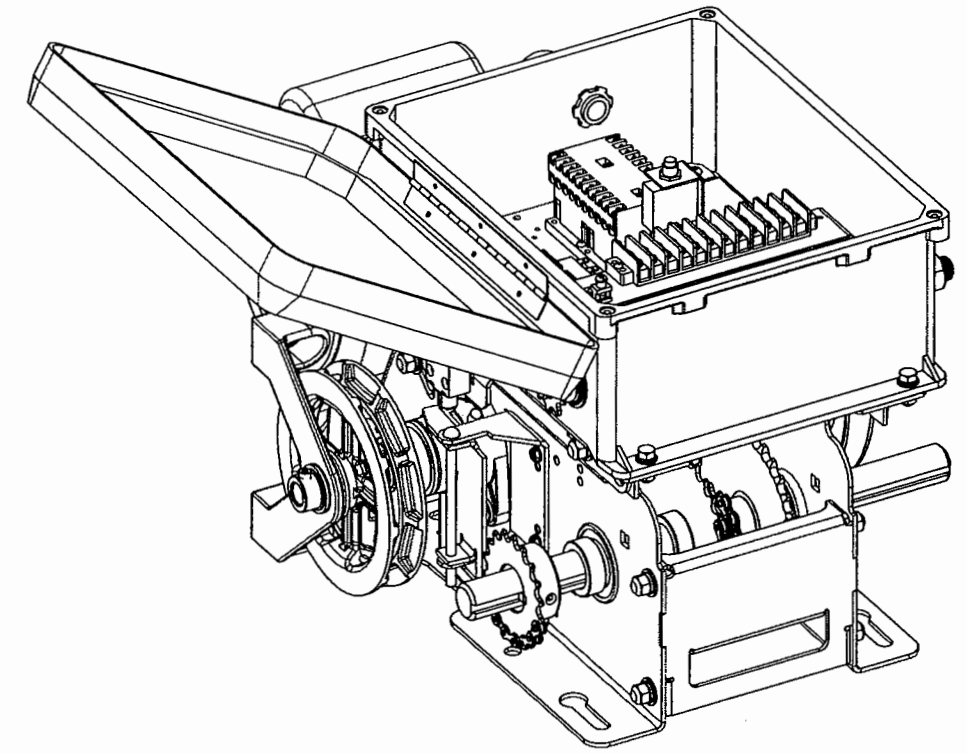
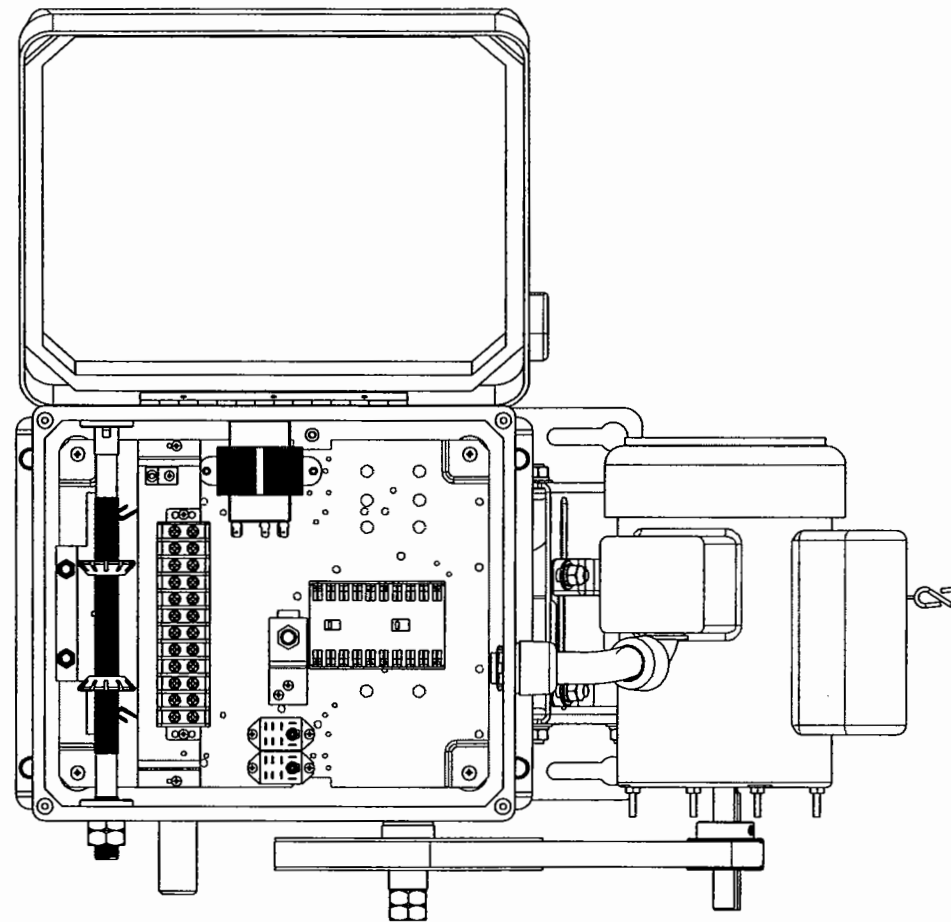
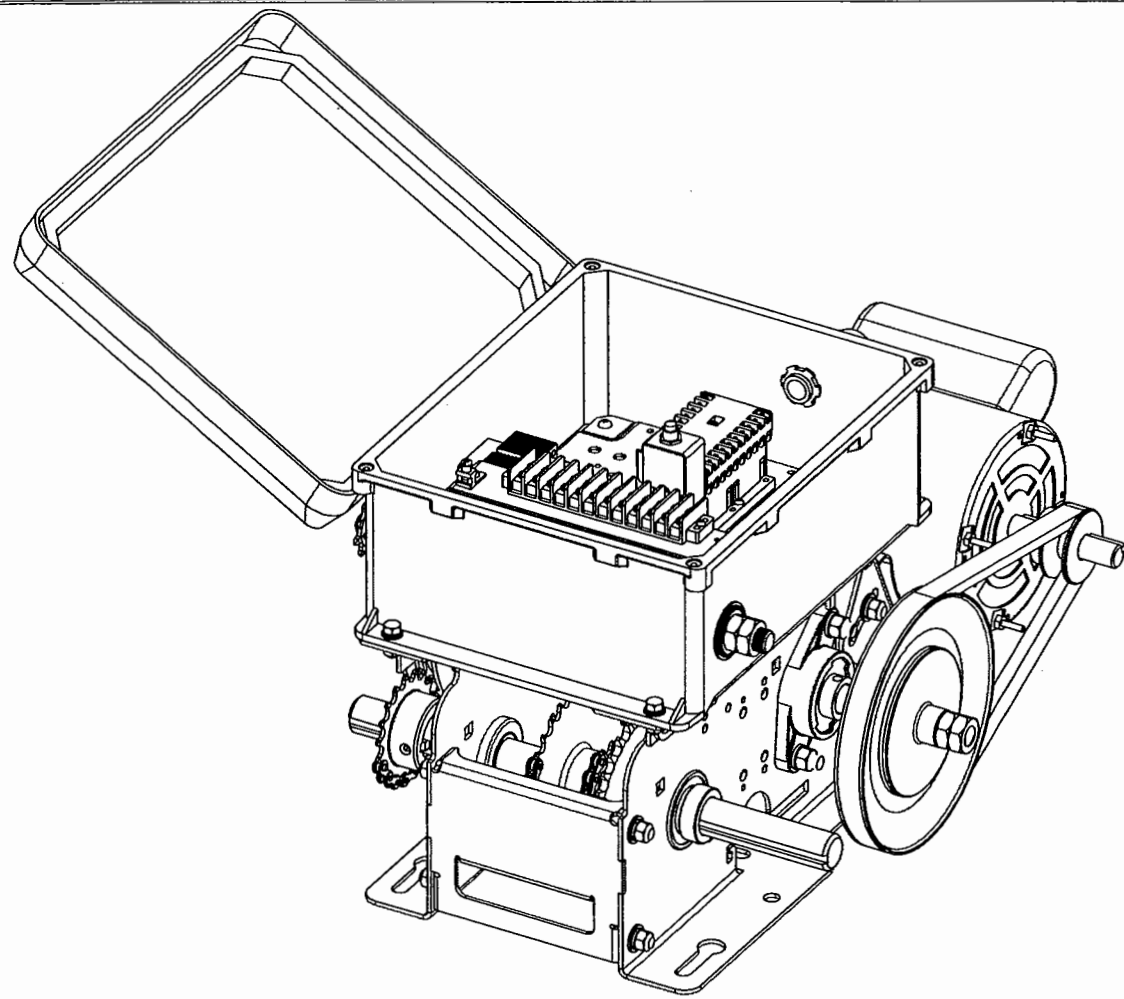
MANARAS-OPERA
136 ONEIDA DRIVE
POINTE-CLAIRE, QC, H9R 1A8
TEL: 1-800-361-2260
FAX: 1-888-626-0606

MANARAS
Opera


DRAWN BY: N. VIAU
SHEET: 1 of 2

LAST UPDATE: 2009-05-11
INITIAL: G.T.

CONFIDENTIAL: THIS DRAWING AND/OR THE INFORMATION CONTAINED HEREIN IS AND REMAINS THE SOLE PROPERTY OF, AND IS PROPRIETARY TO, MANARAS-OPERA. THIS DRAWING AND/OR INFORMATION SHALL BE KEPT CONFIDENTIAL AND MAY NOT BE REPRODUCED, COPIED, MODIFIED, DISCLOSED, TRANSFERRED, OR MADE AVAILABLE TO OTHERS, EXCEPT WITH THE EXPRESS CONSENT OF MANARAS-OPERA. IT IS LOANED IN CONFIDENCE FOR MUTUAL ASSISTANCE PURPOSES ONLY. MANARAS-OPERA MAY AT ANY TIME, WRITTEN MODIFY THE DRAWING AND/OR INFORMATION CONTAINED HEREIN.



PART DESCRIPTION		OPERA-HW	
PART NUMBER		MANARAS-OPERA	
OPHW-6112-0000		136 ONEIDA DRIVE	
DRAWN DATE:		POINTE-CLAIRE, QC, H9R 1A8	
2007-09-11		TEL: 1-800-361-2260	
LAST UPDATE:		FAX: 1-888-626-0606	
2009-05-11		INITIAL	G.T.


 DRAWN BY: G. THOMAS
 SHEET: 2 of 2

CONFIDENTIAL: THIS DRAWING AND/OR THE INFORMATION CONTAINED HEREIN IS AND REMAINS THE SOLE PROPERTY OF, AND IS PROPRIETARY TO, MANARAS-OPERA. THIS DRAWING AND/OR INFORMATION SHALL BE KEPT CONFIDENTIAL AND MAY NOT BE REPRODUCED, COPIED, MODIFIED, DISCLOSED, TRANSFERRED, OR MADE AVAILABLE TO OTHERS, EXCEPT WITH THE EXPRESS CONSENT OF MANARAS-OPERA. IT IS LOANED IN CONFIDENCE FOR MUTUAL ASSISTANCE PURPOSES ONLY. MANARAS-OPERA MAY AT ANY TIME, WRITTEN MODIFY THE DRAWING AND/OR INFORMATION CONTAINED HEREIN.