

71	4	6-32 X 2-1/2 MACHINE SCREW	SCREW046	
72	4	HELICAL SPRING LOCK WASHER NO 6 ZP	WASHER023	
73	4	6-32 HEX NUT ZP	NUT002	
74	6	LIMIT SWITCH SPACER 1/4 X 1/4 ALU.	SPACER017	
75	4	UNIMAX SNAP-ACTING SWITCH SP-DT	LIMIT021	0
76	1	OPEN LIMIT ACTUATOR	LEVER091	2
77	4	6-32 HEX NYLON LOCK NUT ZP	NUT018	
78	1	CLOSE LIMIT ACTUATOR	LEVER092	2
79	1	RADIO CONTROL TERM STRIP	TSTRIP005	
80	1	DPDT 24V RELAY	RELAY024	
81	1	DPDT 120V RELAY	RELAY026	
82	1	TELEM. REVERS. CONT. 24V	CONTACTOR044	
83	8	6-32 X 5/8 TYPE F S-TAP. SCREW	SCREW095	
84	1	TERMINAL STRIP 12 POSITIONS	TSTRIP001	
85	1	TRANSFO 120/240-24 40VA	TRANSF143	
86	1	CBOX SWITCH SUPPORT	BRACKET193	1
87	1	ROD CBOX OPERA	ROD019	1
88	1	OPERA CBOX ROD SPRING	SPRING039	6
89	1	RESET	RESET	
90	1	OPERA COVER ARM	ARM025	3
91	1	POP RIVET 1/8 X (0.126-0.187)	RIVET003	
92	1	TYPE B PLAIN WASHER No.4 R ALU	WASHER056	
93	1	OPERA CONTROL BOX COVER	COVER047	8
94	1	10-24 X 3/4 TYPE F S-TAP. SCREW	SCREW023	
95	1	PUSH NUT 177-061	CLIP015	
96	1	GROUND LUG TA61G-UL	CONNECTOR039	

No	Qty	DESCRIPTION	# MANARAS	REV
1	1	OPERA HANDLE	HANDLE005	8
2	1	RIGHT HAND SIDE FOR OPERA	FRAME037	17
3	1	LEFT HAND SIDE FOR OPERA	FRAME038	17
4	12	5/16-18 X 3/4 RND HD SQ NECK BOLT	BOLT093	
5	12	TYPE A PLAIN WASHER 1/4 W ZP	WASHER007	
6	12	HELICAL SPRING LOCK WASHER 5/16 ZP	WASHER028	
7	12	5/16-18 HEX NUT ZP	NUT007	
8	2	FLANGE BEARING 1" C16-3F*5	BEARING007	
9	2	FLANGED BEARING 5/8	BEARING006	
10	1	INPUT SHAFT OPJ	SHAFT107	2
11	8	BELLEVILLE WASHER (31.5X16.3X0.8)	WASHER035	
12	1	FORK / SWITCH SUPPORT	BRACKET192	1
13	2	10-24 X 3/8 TYPE F S-TAP. SCREW	SCREW022	
14	2	STD SINGLE LIMIT SWITCH	LIMIT015	
15	2	6-32 X 7/8 TYPE F S-TAP. SCREW	SCREW096	
16	1	COLLAR 3/4	COLLAR005	
17	10	5/16-18 X 5/16 SET SCREW	SCREW003	
18	1	SPROCKET	SPR41B14A410B32X75	
19	1	SPROCKET 41B32X1 PH5/16	SPR41B32X1P313	
20	1	#41-1R48P(INCL.1CL)	CHAIN059	
21	1	OPERA OUTPUT SHAFT	SHAFT102	5
22	1	PIN SLOTTED SPRING 5/16 X 2	PIN021	
23	1	PIN SLOTTED SPRING 3/16 X 2	PIN008	
24	3	COLLAR 1"	COLLAR007	
25	1	DOUBLE SPROCKET OPERA 1"	SPR410B14A32X1	2
26	2	#410-1R48P(INCL.1CL)	CHAIN058	
27	1	SPR410B14A28X3/4	SPR410B14A28X3/4	
28	1	SHIM WASHER (.750X1.125X.031) ZP	WASHER058	
29	1	OPERA SPACER 3/4"	SPACER008	1
30	1	COUPLING 3/4 2 PINS 1/4	COUPLING014	2
31	1	DISCONNECT FORK	FORK001	5
32	1	DISCONNECT FORK AXLE	PIN022	
33	1	PUSH NUT 1/4"	CLIP016	
34	1	KEY 3/16 X 1-1/2 ROUNDED ENDS	KW013	5
35	1	COMP. SPRING 1"ID 2"L	SPRING041	
36	2	COLLAR 5/8"	COLLAR004	
37	1	OPERA SPACER 1/8 X 1"	SPACER011	
38	2	TYPE A PLAIN WASHER 5/8 N ZP	WASHER014	
39	1	PULLEY 7" x 5/8" 5L/B	PULLEY020	5
40	1	CL.PAD 5/8x4x0.125"	CLUTCHPAD005	3
41	1	OPERA CLUTCHPLATE	CLUTCHPLATE006	3
42	1	KEY 3/16 X 9/16	KW031	5
43	2	5/8-18 HEX JAM NUT ZP	NUT013	
44	1	OPERA MOTOR PLATE	PLATE078	9
45	1	M.MRT 1/2 60 115/230 ODP 56Z	MOTOR254	
46	1	MOTOR PULLEY 2.0 x 5/8 5L STL	PULLEY014	1
47	1	KEY 0.188 X 2.4 (INCL. W/ MOTOR)	KEY	
48	1	OPERA CONTROL BOX	CBOX025	35
49	1	OPERA CBOX ARM L BRACKET	BRACKET181	3
50	1	1/4-20 X 3/4 HEX BOLT	BOLT002	
51	1	OPERA - CBOX ARM	ARM024	5
52	1	TYPE A PLAIN WASHER NO 8 ZP	WASHER002	
53	3	POP RIVET 5/32 X (0.063-0.125)	RIVET004	
54	1	FLT WASHER 1/4 (.266X.75X.062) ZP	WASHER061	
55	1	1/4-20 HEX NYLON LOCK NUT ZP	NUT020	
56	2	OPERA LIMIT SHAFT BUSHING	BUSHING055	1
57	1	SHAFT #2 LIMIT SHAFT C12L14	SHAFT103	5
58	1	STEEL COLLAR 0.375" IDX(22563)	COLLAR002	
59	1	10-32 X 3/16 SET SCREW	SCREW098	
60	1	EXTERNAL 3/8 RETAINING RING	CLIP021	
61	1	OPERA CBOX CAMPLATE	CAMPLATE015	5
62	2	CAM LIMIT OPERA	CAM011	2
63	1	SPR410B9X3/8 2SS	SPR410B9X3/8	
64	2	1/4-20 X 5/16 SET SCREW	SCREW001	
65	1	SPROCKET 410B14 X 1K0 1S3/8	SPR410B14X1	
66	1	KEY 1/4 X 1	KW021	5
67	1	#410-1R32P(INCL.1CL)	CHAIN006	
68	12	6-32 X 3/8 TYPE F S-TAP. SCREW	SCREW094	
69	2	TOGGLE SWITCH SPRING	SPRING030	
70	4	INTERNAL TOOTH LOCKWASHER NO6 ZP	WASHER062	

97	1	7 X 7 1/16 X 16" CW STOP 1 END	CABLE012
98	1	CABLE SLEEVE 1/16	SLEEVE001
99	1	S HOOK	HOOK001
100	1	TYPE B, INSIDE LENGTH 29	VBELTB29
101	1	CABLE STRAIN RELIEF 5/8 OD	BUSHING058
102	1	EXT. SPRING 3/8 OD	SPRING042

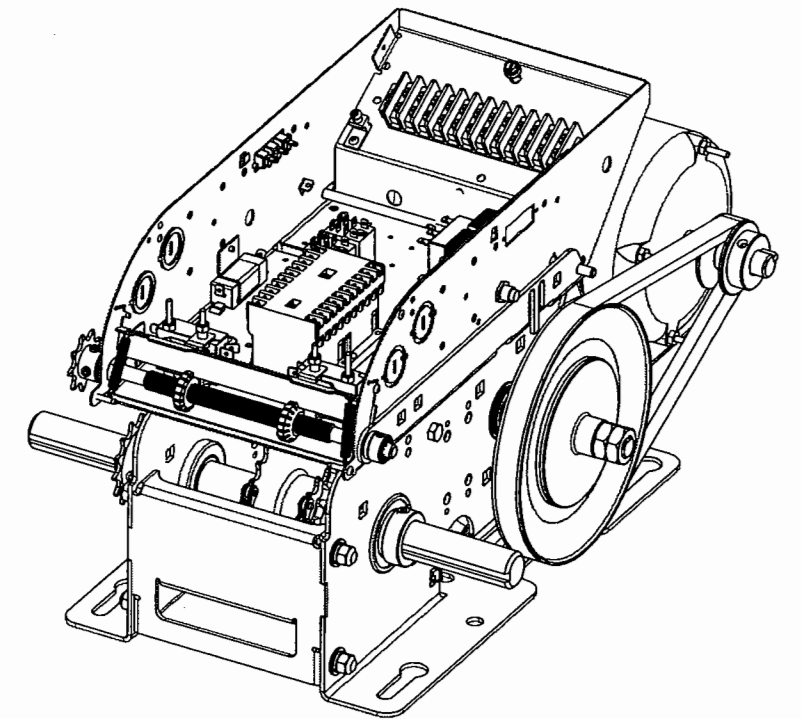
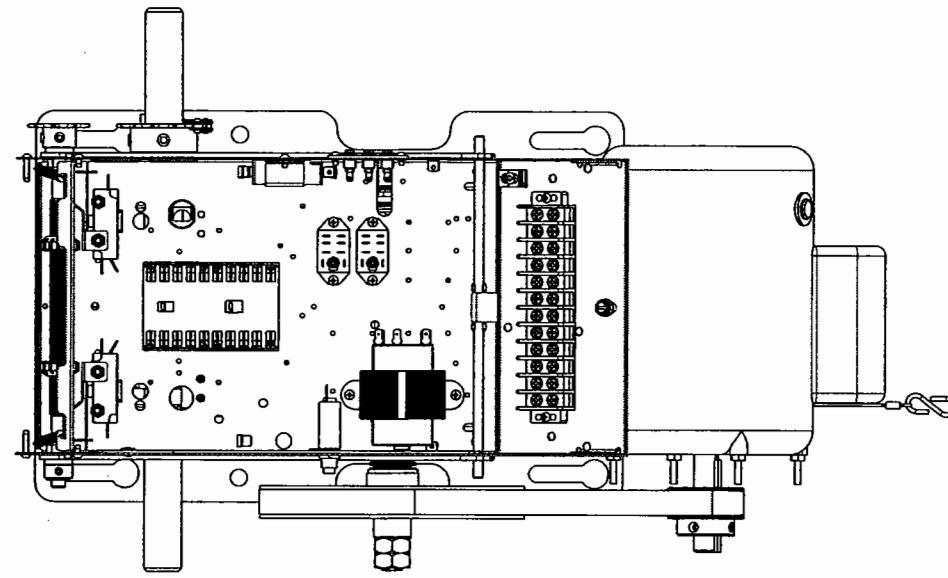
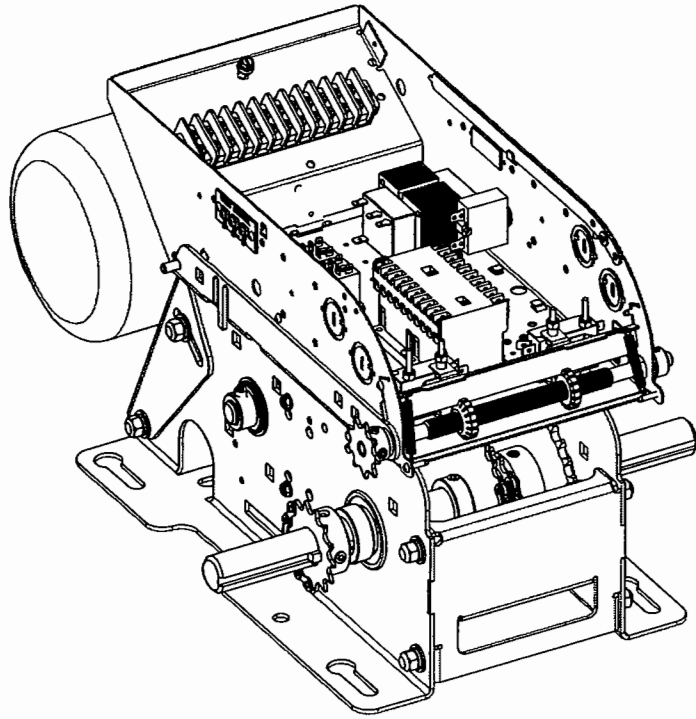
PART DESCRIPTION
OPERA-J SINGLE PHASE

PART NUMBER: **OPJ-6112-0000**
 MANARAS-OPERA
 136 ONEIDA DRIVE
 POINTE-CLAIRE, QC, H9R 1A8
 TEL: 1-800-361-2260
 FAX: 1-888-626-0606

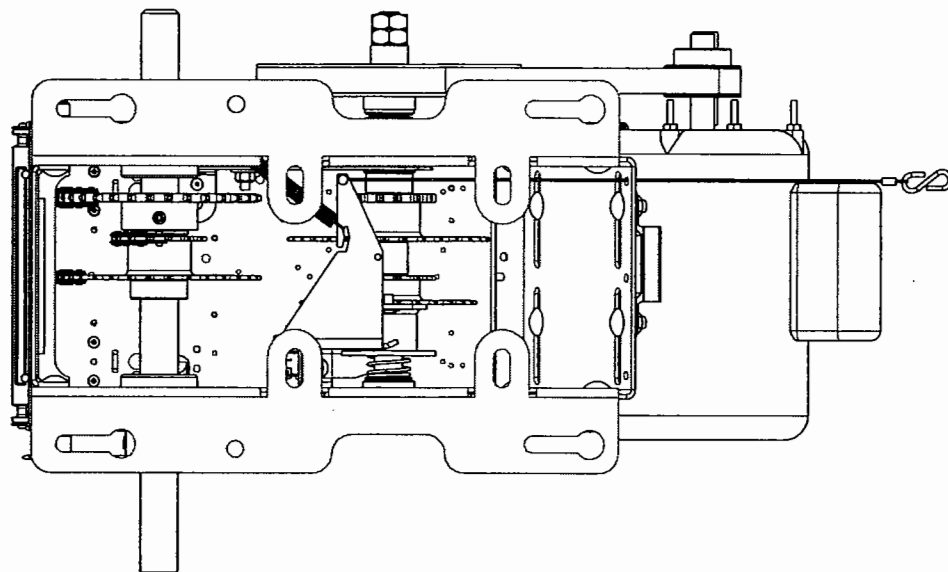
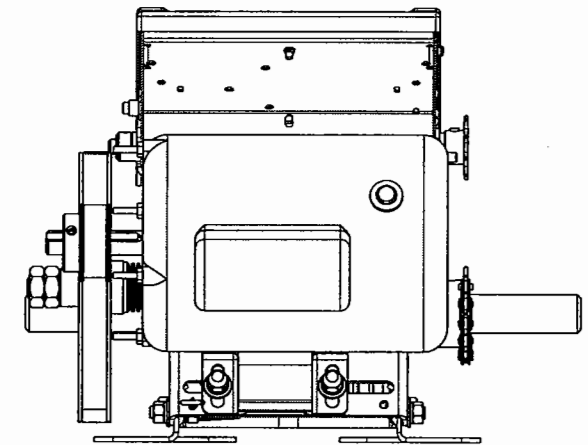
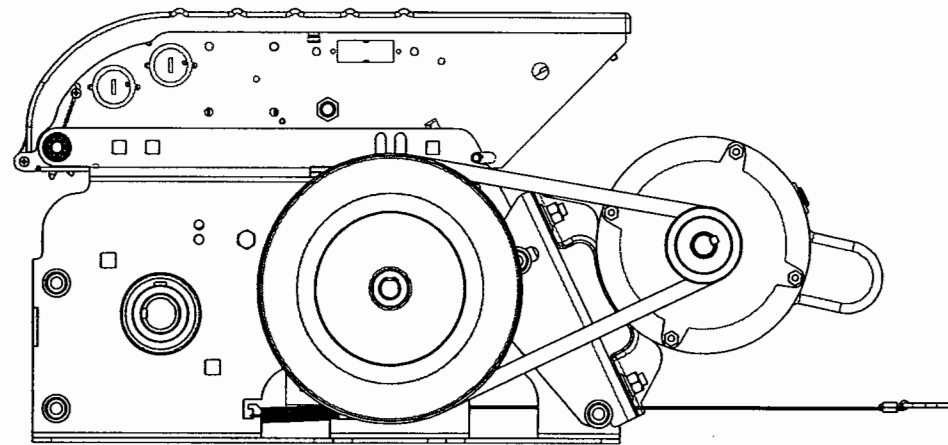
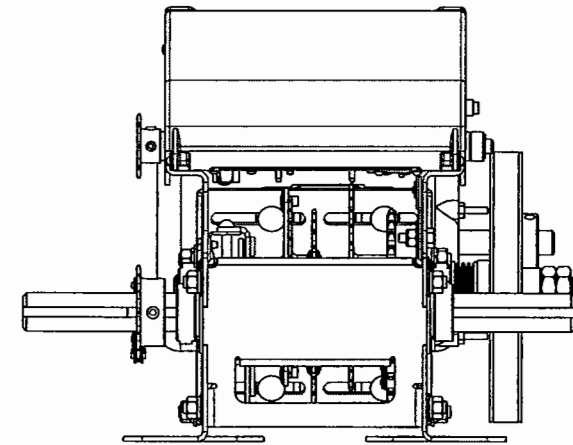
DRAWN DATE: 2002-01-29
 LAST UPDATE: 2009-05-28
 INITIAL: G.T.


DRAWN BY: M. BEAUCHEMIN
 SHEET: 1 of 2

CONFIDENTIAL: THIS DRAWING AND/OR THE INFORMATION CONTAINED HEREIN IS AND REMAINS THE SOLE PROPERTY OF, AND IS PROPRIETARY TO, MANARAS-OPERA. THIS DRAWING AND/OR INFORMATION SHALL BE KEPT CONFIDENTIAL AND MAY NOT BE REPRODUCED, COPIED, MODIFIED, DISCLOSED, TRANSFERRED, OR MADE AVAILABLE TO OTHERS, EXCEPT WITH THE EXPRESS CONSENT OF MANARAS-OPERA. IT IS LOANED IN CONFIDENCE FOR MUTUAL ASSISTANCE PURPOSES ONLY. MANARAS-OPERA MAY AT ANY TIME, WRITTEN MODIFY THE DRAWING AND/OR INFORMATION CONTAINED HEREIN.



TOP AND ISO VIEWS SHOWN WITHOUT COVER047



PART DESCRIPTION		
OPERA-J SINGLE PHASE		
PART NUMBER	MANARAS-OPERA	
OPJ-6112-0000	136 ONEIDA DRIVE	
DRAWN DATE:	POINTE-CLAIRE, QC, H9R 1A8	
2007-11-30	TEL: 1-800-361-2260	
LAST UPDATE:	FAX: 1-888-626-0606	
2009-05-28	INITIAL	
	G.T	

DRAWN BY:	SHEET:
G. THOMAS	2 of 2

CONFIDENTIAL: THIS DRAWING AND/OR THE INFORMATION CONTAINED HEREIN IS AND REMAINS THE SOLE PROPERTY OF, AND IS PROPRIETARY TO, MANARAS-OPERA. THIS DRAWING AND/OR INFORMATION SHALL BE KEPT CONFIDENTIAL AND MAY NOT BE REPRODUCED, COPIED, MODIFIED, DISCLOSED, TRANSFERRED, OR MADE AVAILABLE TO OTHERS, EXCEPT WITH THE EXPRESS CONSENT OF MANARAS-OPERA. IT IS LOANED IN CONFIDENCE FOR MUTUAL ASSISTANCE PURPOSES ONLY. MANARAS-OPERA MAY AT ANY TIME, WRITTEN MODIFY THE DRAWING AND/OR INFORMATION CONTAINED HEREIN.