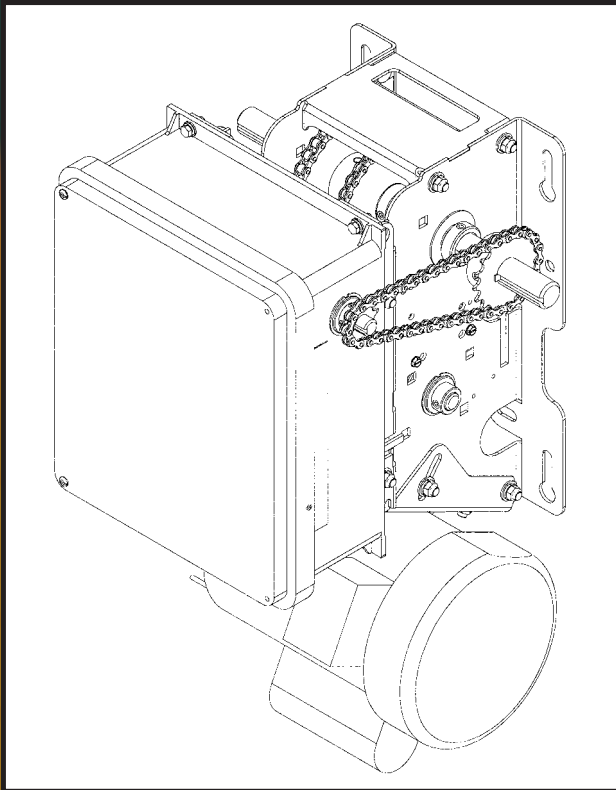


Specification Sheet

Opera™ - J



Nema 4/12 & 4X modification

- Includes car wash/watertight/oiltight/dust tight components or corrosion-resistant components
- Nema 4/12 or Nema 4X control enclosure with hinged cover
- Floor level engagement device for manual operation

Opera™-JW/C, a heavy duty operator for high & vertical lift sectional doors or rolling doors and grilles. It can be wall, hood, or shelf mounted on either side of the door. It incorporates a floor level disconnect for manual operation.

The Nema 4/12 modification is to be used in areas where dust, water, oil leaks or any other type of condensation is present. The Nema 4X modification provides protection against corrosive environments.



• Standard Features

Motor: 60 Hz, high starting torque, continuous-duty single phase capacitor start or 3 phase motor, totally enclosed (TEFC or TENV), protected against overload.

Reduction: first step in reduction to be 5L/B V-belt drive, additional steps by chain and sprockets. Input shaft is 5/8" supported by precision ball bearings. Output shaft is 1" with 1/4" keyway, supported by ball bearings. Output shaft speed: 41 rpm.

Friction Clutch: positioned on input shaft, easily adjustable from outside.

Drive: #50 roller chain with a 50B12 sprocket on operator drive shaft. Door sprocket to be selected for a door travel of 6"/s to 12"/s.

Manual Operation: a floor level disconnect which must be engaged for manual push-up operation.

Electrical Enclosure: all electrical components are in a Nema 4/12 or Nema 4X enclosure. Electrical enclosure cover is hinged.

Limit Switches: rotary-type with oil-impregnated steel cams, commercial grade switches. Remains in time when there is a manual operation or after the motor has been removed.

Corrosion Protection: frame protected by a long lasting enamel finish. Fiber glass control box. All shafts protected by yellow chromate coating.

Mounting: wall, hood, or shelf mounted.

2 Year Warranty



• Operator Range

Current Consumption (Amp.)

Nema 4/12	Horse Power	115V 1 Ph	230V 1 Ph	208/ 230V 3 Ph	460V 3 Ph	575V 3 Ph
	1/2	6.6	3.3	2.2	1.1	0.9
3/4	11.0	5.5	2.8	1.4	1.1	
1	13.4	6.7	3.6	1.8	1.5	

Nema 4X	Horse Power	115V 1 Ph	230V 1 Ph	208/ 230V 3 Ph	460V 3 Ph	575V 3 Ph
	1/2	8.0	4.0	1.6	0.8	0.6
3/4	11.0	5.5	2.2	1.1	0.9	
1	12.8	6.4	3.2	1.6	1.3	

General Guideline

• Motor Control

Contactors Units: 24VAC control circuit, 40VA class II transformer, fuse protected on output, heavy-duty across-the-line linear reversing contactor with mechanical interlock. C2 wiring is standard. B2 can be set very easily by moving one wire. Available options: delay on reverse, timer to close, double limits, etc...

or

ECB Units: 24Vdc relaying and 5Vdc logic circuit with a 40VA class II transformer, non-volatile memory. Features included: 1.5s delay on reverse, programmable maximum run timer, mid-stop, timer to close, programmable advance close system, test buttons, reverse wiring detection and door lock sensor. Operating mode selectable on site: C2, B2, D1, E2, T or TS.

• Main Options

Control Accessories: terminal strip allows connection of 3-button stations (one supplied with the operator), sensing edges, photo cells, one push-button radio control, ceiling pull and key switches, loop detectors, external interlocks. 2A fuse protected 24VAC output is available for accessory power supply.

Mechanical Accessories: wall mounting bracket, chain spreader, pillow block bearings on output shaft, etc..., consult inside sales.

• Motor Selection

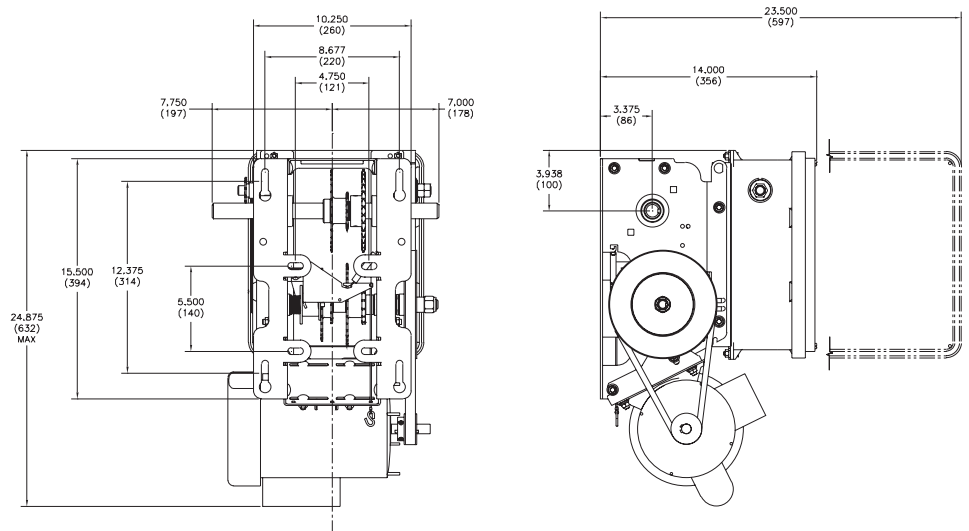
Maximum Size of Door In Square Feet

Horse Power	Rolling Doors					Sectional Doors				
	Insulated Steel	16 ga. Steel	Steel Grilles 20 ga. Steel	Alu. Door 22 ga. Steel	Alu. Grilles 24 ga. Steel	Steel 18 ga. ins.	Steel 18 ga. 20 ga. ins.	Wood Steel 20 ga. 22 & 24 ga. ins.	Aluminum Steel 22 & 24 ga.	Fiber Glass
1/2	157	236	260	319	358	196	245	314	343	392
3/4	206	294	358	451	515	270	319	441	490	549
1	255	358	446	574	613	294	392	490	564	613

General Guideline

• Dimensions

Clearance: Side room required 15" (380 mm)



Approx. shipping weight: 95 lbs – 43 kg

Manaras-Opera reserves the right to make specification or design changes without prior notice.

Reg. T.M. of 9141-0720 Québec Inc.