

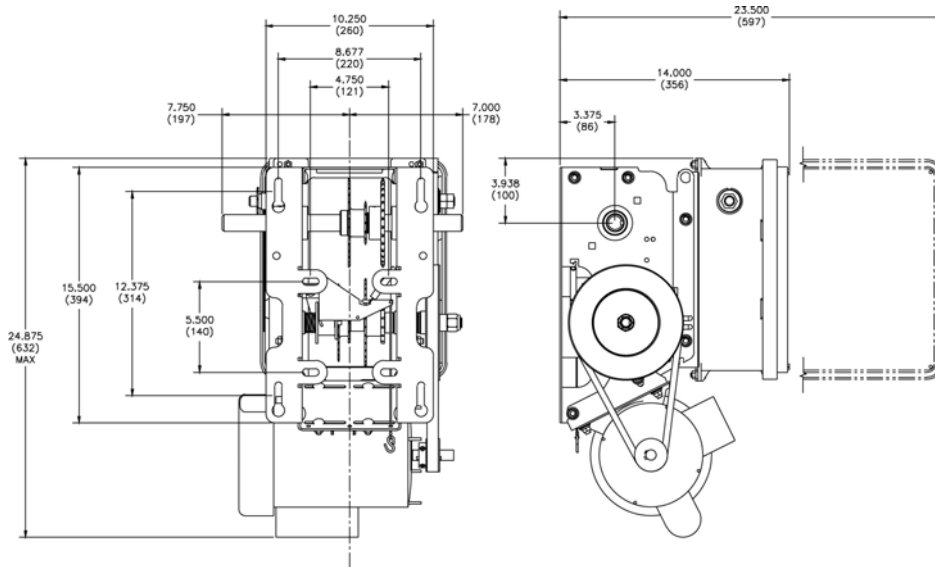
# Opera-J model

# Jackshaft Operator Heavy-Duty

**Nema 4/12 – Carwash / Watertight / Oiltight / Dust Tight  
Nema 4X – Corrosion Proof**

Customer:		
Project:		
Architect/Engineer:		
Contractor:		
Drawing No.:	Date:	Sheet of

## Shop Drawing



Nema 4/12 Motor Amperage Rating					
HP	Voltage - Phase				
	115 V - 1 Ph	230 V - 1 Ph	208 / 230 V - 3 Ph	460 V - 3 Ph	575 V - 3 Ph
1/2	6.6	3.3	2.2	1.1	0.9
3/4	11.0	5.5	2.8	1.4	1.1
1	13.4	6.7	3.6	1.8	1.5

Nema 4X Motor Amperage Rating					
HP	Voltage - Phase				
	115 V - 1 Ph	230 V - 1 Ph	208 / 230 V - 3 Ph	460 V - 3 Ph	575 V - 3 Ph
1/2	8.0	4.0	1.6	0.8	0.6
3/4	11.0	5.5	2.2	1.1	0.9
1	12.8	6.4	3.2	1.6	1.3

### • Specifications For Ordering

Quantity:	Model Number:			
HP:	Amperage:	Volts:	Phase:	Hertz:
Motor Circuit Type: (Circle One) Contactor or ECB				
Door Type:	Width:	Height:	Lift:	
Drive Sprocket: (Circle One) Left or Right				
Supply	3-Push Button Station(s) in NEMA		Enclosure Per Operator	

Supply Auxiliary and Optional Equipment as specified below: One per operator unless otherwise noted.

### • Notes:

1. Refer to model OPJW/C Specification Sheet for General Information
2. Refer to Drawing \_\_\_\_\_ for Wiring Diagram