

Opera-MH model

Jackshaft Operator Medium-Duty Hoist

Customer:

Project:

Architect/Engineer:

Contractor:

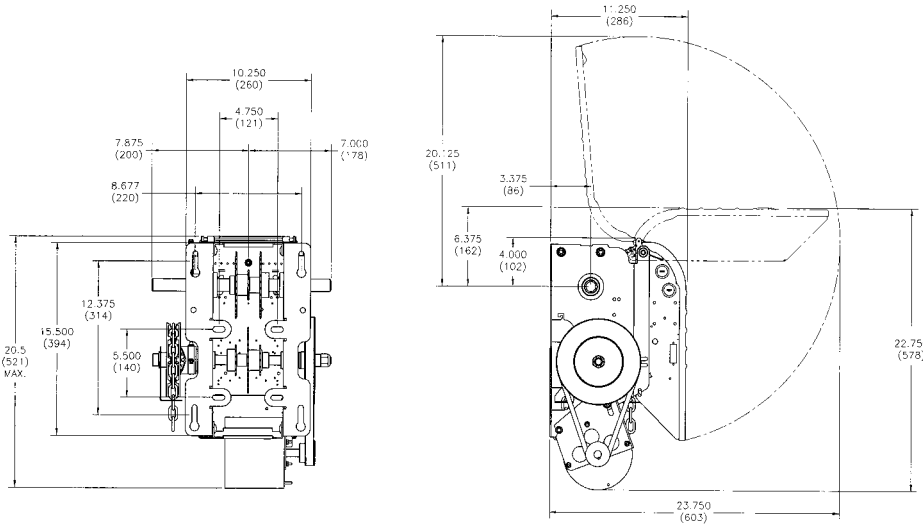
Drawing No.:

Date:

Sheet

of

Shop Drawing



Motor Amperage Rating					
HP	Voltage - Phase				
	115 V - 1 Ph	230 V - 1 Ph	208 / 230 V - 3 Ph	460 V - 3 Ph	575 V - 3 Ph
1/2	5.0	-	-	-	-

• Specifications For Ordering

Quantity:		Model Number:			
HP:	Amperage:	Volts:	Phase:	Hertz:	
Door Type:		Width:	Height:	Lift:	
Hand Chain: (Circle One) Left or Right			Drive Sprocket: (Circle One) Left or Right		
Supply		3-Push Button Station(s) in NEMA		Enclosure Per Operator	

Supply Auxiliary and Optional Equipment as specified below: One per operator unless otherwise noted.

• Notes:

1. Refer to model OMH Specification Sheet for General Information
2. Refer to Drawing _____ for Wiring Diagram