

Opera-SH model

Jackshaft Operator Heavy-Duty Industrial Hoist

Customer:

Project:

Architect/Engineer:

Contractor:

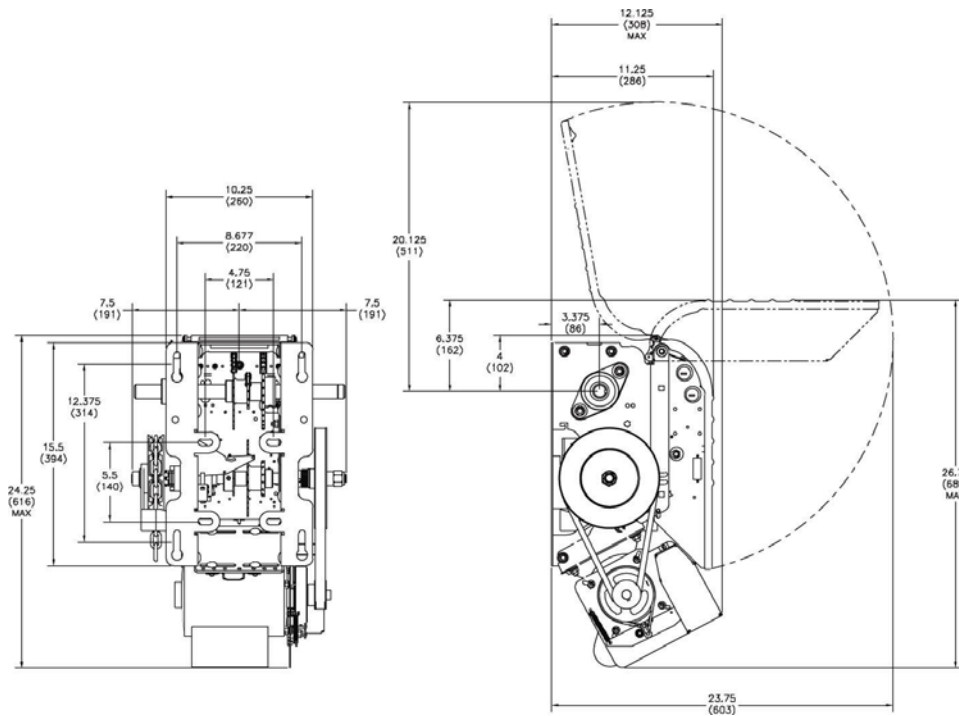
Drawing No.:

Date:

Sheet

of

Shop Drawing



| Motor Amperage Rating | | | | | |
|-----------------------|-----------------|-----------------|--------------------------|-----------------|-----------------|
| HP | Voltage - Phase | | | | |
| | 115 V - 1 Ph | 230 V - 1 Ph | 208 / 230 V - 3 Ph | 460 V - 3 Ph | 575 V - 3 Ph |
| 1/2 | 8.0 | 4.0 | 2.1 | 1.0 | 0.8 |
| 3/4 | 11.2 | 5.6 | 3.2 | 1.5 | 1.2 |
| 1 | 13.6 | 6.8 | 4.4 | 2.1 | 1.6 |

• Specifications For Ordering

| | | | | |
|--|---|---|-------------------------------|---------------|
| Quantity: | Model Number: | | | |
| HP: | Amperage: | Volts: | Phase: | Hertz: |
| Motor Circuit Type: (Circle One) Contactor or ECB | | | | |
| Door Type: | Width: | Height: | Lift: | |
| Hand Chain: (Circle One) Left or Right | | Drive Sprocket: (Circle One) Left or Right | | |
| Supply | 3-Push Button Station(s) in NEMA | | Enclosure Per Operator | |

Supply Auxiliary and Optional Equipment as specified below: One per operator unless otherwise noted.

• Notes:

1. Refer to model OSH Specification Sheet for General Information
2. Refer to Drawing _____ for Wiring Diagram

Toll Free: 800.361.2260
info@manaras.com
www.manaras.com

Reg. T.M. of 9141-0720 Québec Inc.

