

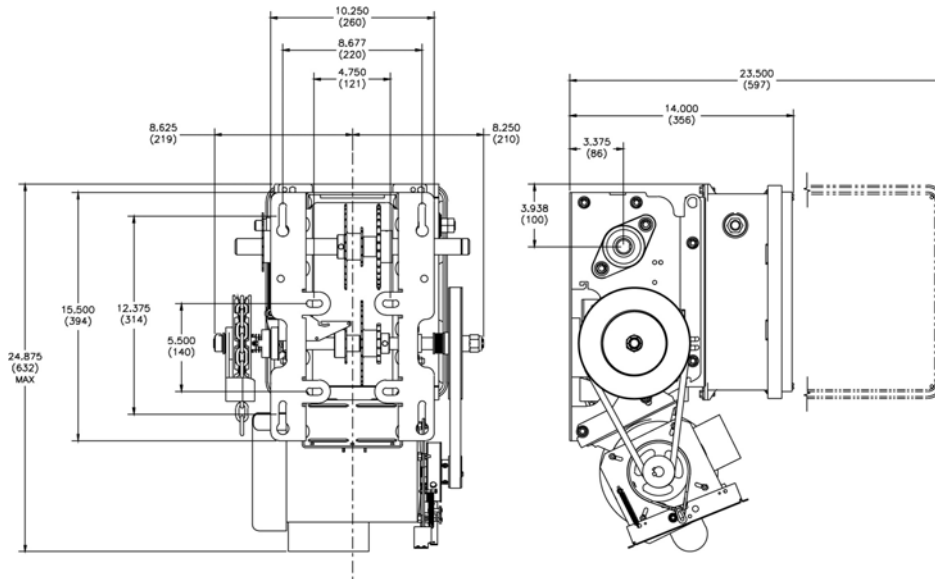
Opera-SH model

Jackshaft Operator Heavy-Duty Industrial Hoist

**Nema 4/12 – Carwash / Watertight / Oiltight / Dust Tight
Nema 4X – Corrosion Proof**

Customer:		
Project:		
Architect/Engineer:		
Contractor:		
Drawing No.:	Date:	Sheet of

Shop Drawing



Nema 4/12 Motor Amperage Rating					
HP	Voltage - Phase				
	115 V - 1 Ph	230 V - 1 Ph	208 / 230 V - 3 Ph	460 V - 3 Ph	575 V - 3 Ph
1/2	6.6	3.3	2.2	1.1	0.9
3/4	11.0	5.5	2.8	1.4	1.1
1	13.4	6.7	3.6	1.8	1.5

Nema 4X Motor Amperage Rating					
HP	Voltage - Phase				
	115 V - 1 Ph	230 V - 1 Ph	208 / 230 V - 3 Ph	460 V - 3 Ph	575 V - 3 Ph
1/2	8.0	4.0	1.6	0.8	0.6
3/4	11.0	5.5	2.2	1.1	0.9
1	12.8	6.4	3.2	1.6	1.3

• Specifications For Ordering

Quantity:		Model Number:			
HP:	Amperage:	Volts:	Phase:	Hertz:	
Motor Circuit Type: (Circle One) Contactor or ECB					
Door Type:			Width:	Height:	Lift:
Hand Chain: (Circle One) Left (3PH only) or Right (1 or 3PH)			Drive Sprocket: (Circle One) Left or Right		
Supply			3-Push Button Station(s) in NEMA		Enclosure Per Operator

Supply Auxiliary and Optional Equipment as specified below: One per operator unless otherwise noted.

• Notes:

1. Refer to model OSHW/C Specification Sheet for General Information
2. Refer to Drawing _____ for Wiring Diagram

Toll Free: 800.361.2260
info@manaras.com
www.manaras.com

Reg. T.M. of 9141-0720 Québec Inc.

