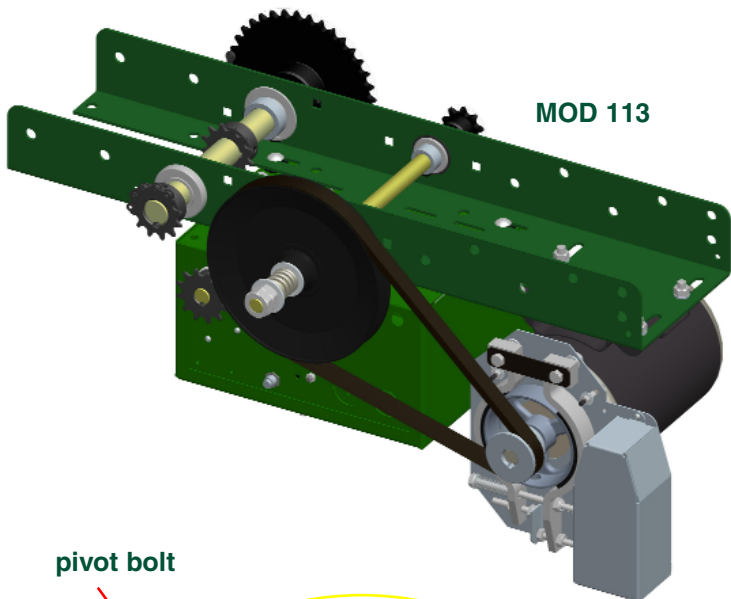


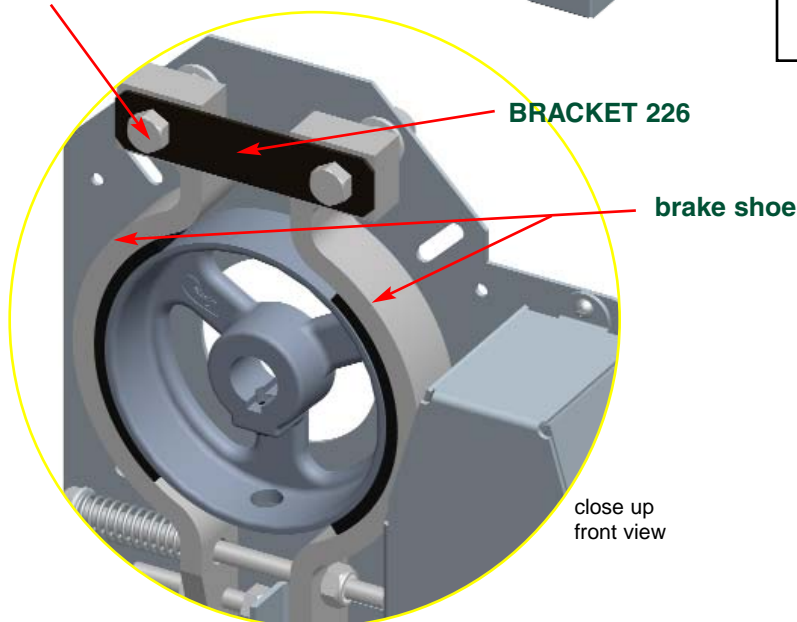
Product Announcement

Spreader Bracket Added to Drum Brake Applications

Trolley Drum Brake Option >>>



pivot bolt



close up
front view

Manaras-Opera Improves Their Drum Brake Applications

Responding to your needs, Manaras-Opera has made an improvement to its drum brake used on high-cycle trolley applications.

What was improved

- A shoe spreader bracket (**BRACKET 226**) has been added to the drum brake assembly.
- **BRACKET 226** assists the pivot bolts to further support the brake shoes and prevents the brake from twisting.
- This improvement applies to **MOD 113** (drum brake option for MTBH-APT/APE) and **BRAKE 014** (assembly brake kit for existing operators in the field).

This improvement is available as of July 2009.
For further information, please contact your Manaras-Opera sales representative.

Toll free number: 800 - 361 - 2260
www.manaras.com