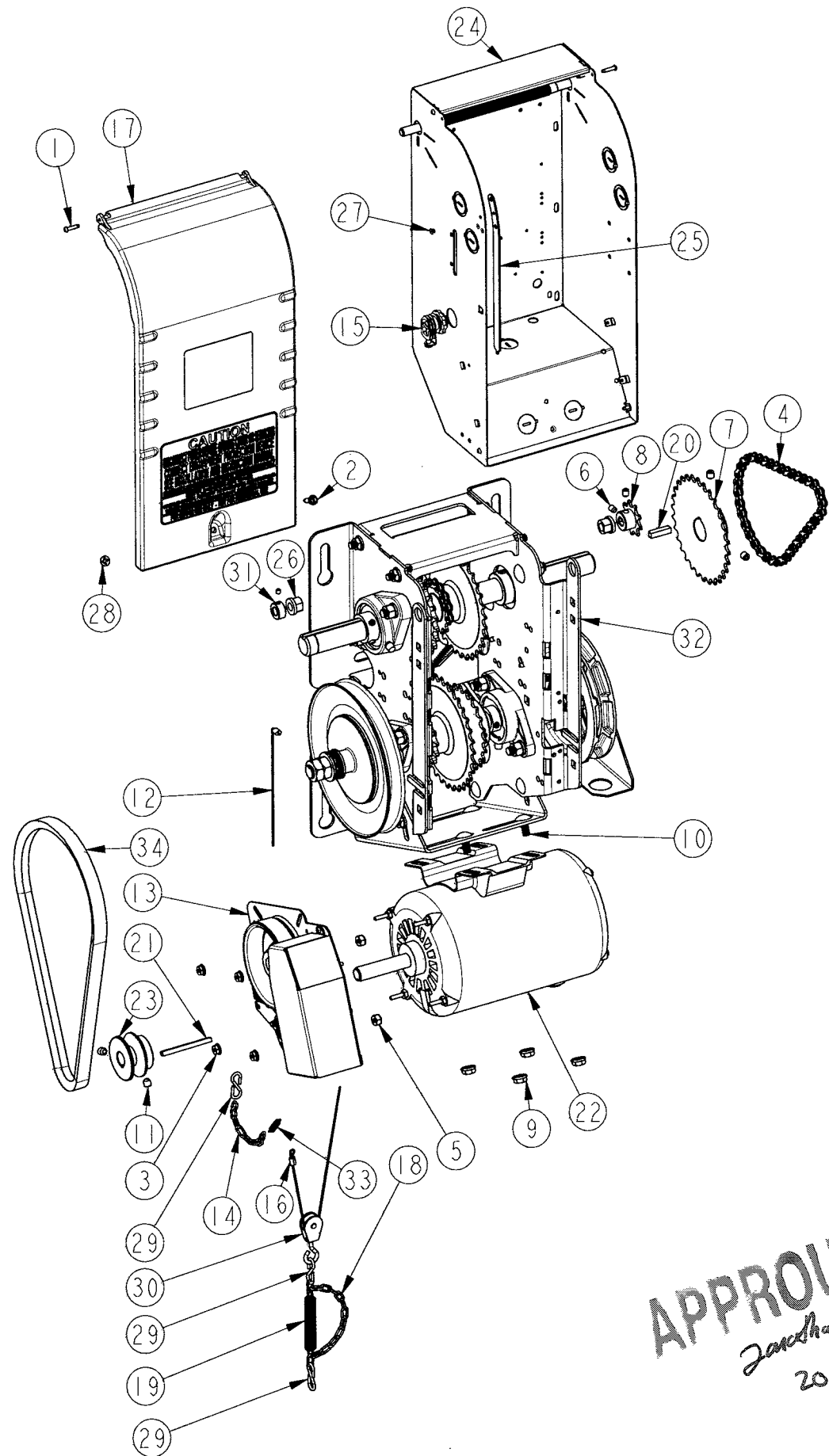


RSH HARDWARE		
Qty	DESCRIPTION	# MANARAS
1	H. CHAIN FOR 14' DOOR SHAFT HEIGHT	J114
1	14' DISC. CHAIN KIT	CHAINKIT001
1	CHAIN KEEPER FOR HAND CHAIN	CHAINKEEPER001
1	CHAIN KEEPER FOR DISC. CHAIN	CHAINKEEPER002
1	DISCONNECT HANDLE	HANDLE007
1	HARDWARE BAG #1	HD1-HBAG

HARNESS		
Qty	DESCRIPTION	# MANARAS
1	RAPIDO MOTOR AND BRAKE HARNESS	HARNESS120



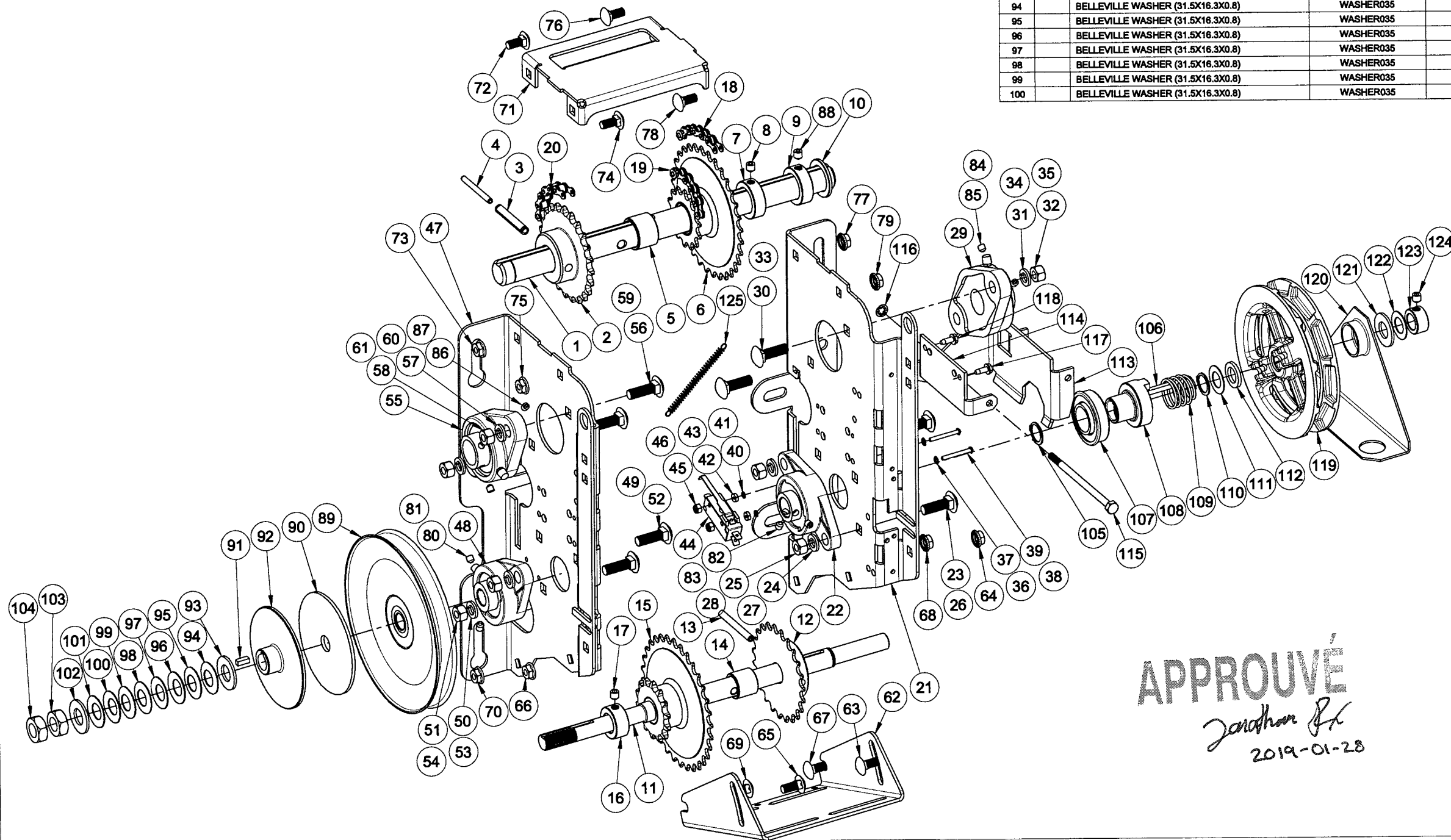
No	Qty	DESCRIPTION	# MANARAS	REV
1	2	6-32 X 5/8 TYPE F S-TAP. SCREW	SCREW095	
2	1	10-24 X 3/4 TYPE F S-TAP. SCREW	SCREW023	
3	4	10-32 HEX SERRATED NUT ZP	NUT062	
4	1	#410-1R40P (INCL. HALF CL)	CHAIN086	
5	4	1/4-20 HEX NYLON LOCK NUT ZP	NUT020	
6	2	1/4-20 X 5/16 SET SCREW	SCREW001	
7	1	410B30 X 1 K1/4 2S5/16	SPR410B30X1	0
8	1	410B9 X 3/8 K0 2S1/4-20	SPR410B9X3/8	
9	4	5/16-18 HEX SERRATED FLANG NUT ZP	NUT055	
10	4	5/16-18 X 3/4 RND HD SQ NECK BOLT	BOLT093	
11	4	5/16-18 X 5/16 SET SCREW	SCREW003	
12	1	7X7 1/16" X 33"	CABLE026	
13	1	BAND BRAKE ASSEMBLY KIT	BRAKE016 (DRAWING041)	
14	1	BRAKE RELEASE CHAIN 4" - 6 LINKS	CHAIN084	
15	1	BX CONNECTOR STRAIGHT 3/8	ADAPTER030	
16	1	CABLE SLEEVE 1/16"	SLEEVE001	
17	1	CBOX ABS/PC GREEN COVER	COVER047	11
18	1	DISCONNECT CHAIN 5" LONG	CHAIN082	
19	1	EXTENSION SPRING E480-063-3275	SPRING027	
20	1	KEY 1/4 X 1	KW021	5
21	1	KEY 3/16 X 2.50 (INCL. W/ MOTOR)	KEY	5
22	1	M.MRT 1 60 208/460 ODP 56Z	MOTOR275	
23	1	MOTOR PULLEY 2.0 x 5/8 5L STL	PULLEY014	1
24	1	OPERA CONTROL BOX - DRIVE	CBOX043	4
25	1	OPERA COVER ARM	ARM025	4
26	2	OPERA LIMIT SHAFT BUSHING	BUSHING055	1
27	1	POP RIVET 1/8 X (0.063-0.125)	RIVET008	
28	1	PUSH NUT #10	CLIP015	
29	3	S HOOK	HOOK001	
30	1	SINGLE SWIVEL PULLEY 1.0	PULLEY016	
31	1	STEEL COLLAR 0.3	COLLAR002	
32	1	SUBA OSH 88RPM FRAME	OSHDORFRAME	
33	1	TOGGLE SWITCH SPRING	SPRING030	0
34	1	TYPE B, INSIDE LENGTH 29	VBELTB29	

APPROUVÉ
Jacques Proulx
 2019-07-31

PART DESCRIPTION		 Manaras
1PH-1HP HR/HL MONIT VFD 88RPM		
PART NUMBER	RSH	MANARAS-OPERA 136 ONEIDA DRIVE POINTE-CLAIRE, QC, H9R 1A8 TEL: 1-800-361-2260 FAX: 1-888-626-0606
DRAWN BY:	J. PROULX	
DATE:	2014.10.03	
UPDATED BY:	J. PROULX	
DATE:	2019-07-31	SHEET: 1 of 1

CONFIDENTIAL: THIS DRAWING AND/OR THE INFORMATION CONTAINED HEREIN IS AND REMAINS THE SOLE PROPERTY OF, AND IS PROPRIETARY TO, MANARAS-OPERA. THIS DRAWING AND/OR INFORMATION SHALL BE KEPT CONFIDENTIAL AND MAY NOT BE REPRODUCED, COPIED, MODIFIED, DISCLOSED, TRANSFERRED, OR MADE AVAILABLE TO OTHERS, EXCEPT WITH THE EXPRESS CONSENT OF MANARAS-OPERA. IT IS LOANED IN CONFIDENCE FOR MUTUAL ASSISTANCE PURPOSES ONLY. MANARAS-OPERA MAY AT ANY TIME, WRITTEN MODIFY THE DRAWING AND/OR INFORMATION CONTAINED HEREIN.

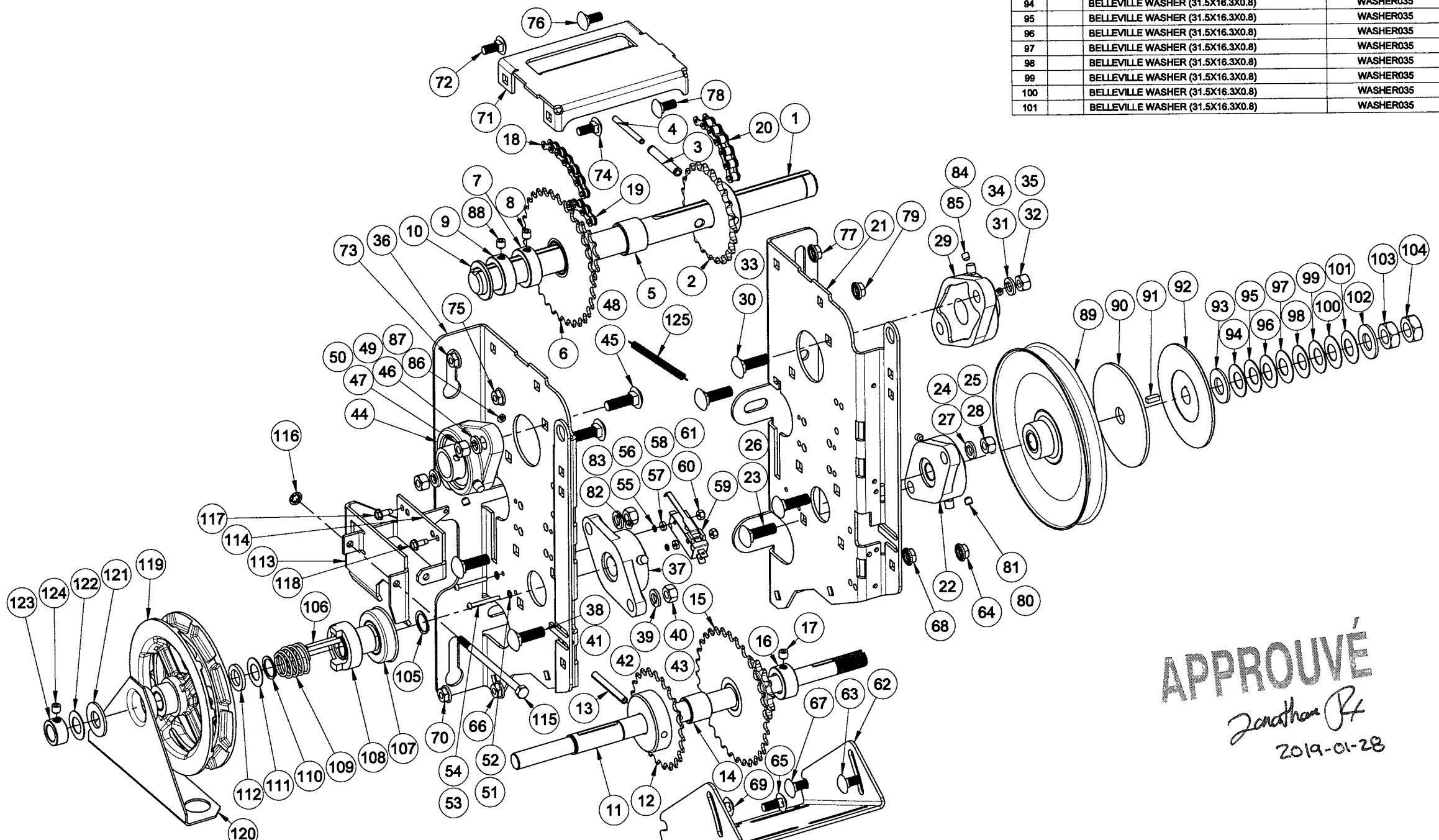
QTY	DESCRIPTION	# MANARAS	REV
1	OSH OUTPUT SHAFT	SHAFT117	1
2	41B23 X 1 K0 OS PH5/16	SPR41B23X1P5/16	3
3	PIN SLOTTED SPRING 5/16 X 2	PIN021	
4	PIN SLOTTED SPRING 4.5X50MM HD	PIN028	
5	OPERA SPACER 1"	SPACER009	1
6	410B14A32 X 1 K0 OS	SPR410B14A32X1	
7	COLLAR 1"	COLLAR007	
8	5/16-18 X 5/16 SET SCREW	SCREW003	
9	COLLAR 1"	COLLAR007	
10	SPACER 1"ID X 1-1/2"OD X 0.125"	SPACER030	
11	OSH INPUT SHAFT	SHAFT116	6
12	410B23 X 3/4 K0 OS PH1/4	SPR410B23X3/4	0
13	PIN SLOTTED SPRING 1/4 X 2-1/4	PIN029	
14	OPERA SPACER 3/4"	SPACER008	1
15	41B14_410A32 X 3/4 K0 OS	SPR41B14_410A32X3/4	
16	COLLAR 3/4"	COLLAR005	
17	5/16-18 X 5/16 SET SCREW	SCREW003	
18	#410-1R52P(INCL.1C/L)	CHAIN071	
19	#410-1R48P(INCL.1C/L)	CHAIN058	
20	#41-1R48P(INCL.1C/L)(CUT 41P+1H/L)	CHAIN059	
21	RIGHT HAND SIDE FOR OPERA	FRAME037	24
22	2-BOLT FLANGE BEARING ID 3/4" BLACK	BEARING048	
23	3/8-16 X 1-1/4 RND HD SQ NECK BOLT	BOLT059	
24	HELICAL SPRING LOCK WASHER 3/8 ZP	WASHER030	
25	3/8-16 HEX NUT ZP	NUT010	
26	3/8-16 X 1-1/4 RND HD SQ NECK BOLT	BOLT059	
27	HELICAL SPRING LOCK WASHER 3/8 ZP	WASHER030	
28	3/8-16 HEX NUT ZP	NUT010	
29	2-BOLT FLANGE BEARING ID 1" BLACK	BEARING047	
30	3/8-16 X 1-1/4 RND HD SQ NECK BOLT	BOLT059	
31	HELICAL SPRING LOCK WASHER 3/8 ZP	WASHER030	
32	3/8-16 HEX NUT ZP	NUT010	
33	3/8-16 X 1-1/4 RND HD SQ NECK BOLT	BOLT059	
34	HELICAL SPRING LOCK WASHER 3/8 ZP	WASHER030	
35	3/8-16 HEX NUT ZP	NUT010	
36	INTERNAL TOOTH LOCKWASHER NO6 ZP	WASHER062	
37	INTERNAL TOOTH LOCKWASHER NO6 ZP	WASHER062	
38	6-32 X 1.25 MACHINE SCREW	SCREW109	
39	6-32 X 1.25 MACHINE SCREW	SCREW109	
40	HELICAL SPRING LOCK WASHER NO 6 ZP	WASHER023	
41	HELICAL SPRING LOCK WASHER NO 6 ZP	WASHER023	
42	6-32 HEX NUT ZP	NUT002	
43	6-32 HEX NUT ZP	NUT002	
44	SNAP-ACT. SW.SPDT-LEVER "END BEND"	LIMIT025B	0
45	6-32 HEX NYLON LOCK NUT ZP	NUT018	
46	6-32 HEX NYLON LOCK NUT ZP	NUT018	
47	LEFT HAND SIDE FOR OPERA	FRAME038	24
48	2-BOLT FLANGE BEARING ID 5/8" BLACK	BEARING051	
49	3/8-16 X 1-1/4 RND HD SQ NECK BOLT	BOLT059	
50	HELICAL SPRING LOCK WASHER 3/8 ZP	WASHER030	
51	3/8-16 HEX NUT ZP	NUT010	
52	3/8-16 X 1-1/4 RND HD SQ NECK BOLT	BOLT059	
53	HELICAL SPRING LOCK WASHER 3/8 ZP	WASHER030	
54	3/8-16 HEX NUT ZP	NUT010	
55	2-BOLT FLANGE BEARING ID 1" BLACK	BEARING047	
56	3/8-16 X 1-1/4 RND HD SQ NECK BOLT	BOLT059	
57	HELICAL SPRING LOCK WASHER 3/8 ZP	WASHER030	
58	3/8-16 HEX NUT ZP	NUT010	
59	3/8-16 X 1-1/4 RND HD SQ NECK BOLT	BOLT059	
60	HELICAL SPRING LOCK WASHER 3/8 ZP	WASHER030	
61	3/8-16 HEX NUT ZP	NUT010	
62	OPERA MOTOR PLATE	PLATE078	10
63	5/16-18 X 3/4 RND HD SQ NECK BOLT	BOLT093	
64	5/16-18 HEX SERRATED FLANG NUT ZP	NUT055	
65	5/16-18 X 3/4 RND HD SQ NECK BOLT	BOLT093	
66	5/16-18 HEX SERRATED FLANG NUT ZP	NUT055	
67	5/16-18 X 3/4 RND HD SQ NECK BOLT	BOLT093	
68	5/16-18 HEX SERRATED FLANG NUT ZP	NUT055	
69	5/16-18 X 3/4 RND HD SQ NECK BOLT	BOLT093	
70	5/16-18 HEX SERRATED FLANG NUT ZP	NUT055	



PART DESCRIPTION	
SUBA OSH 94RPM FRAME RIGHT HAND	
PART NUMBER	MANARAS-OPERA
OSHDRFRAMEHR	136 ONEIDA DRIVE
DRAWN BY: J. PROULX	POINTE-CLAIRE, QC, H9R 1A8
DATE: 2014-10-01	TEL: 1-800-361-2260
UPDATED BY: J. Proulx	FAX: 1-888-626-0806
DATE: 2019-01-28	

CONFIDENTIAL: THIS DRAWING AND/OR THE INFORMATION CONTAINED HEREIN IS AND REMAINS THE SOLE PROPERTY OF, AND IS PROPRIETARY TO, MANARAS-OPERA. THIS DRAWING AND/OR INFORMATION SHALL BE KEPT CONFIDENTIAL AND MAY NOT BE REPRODUCED, COPIED, MODIFIED, DISCLOSED, TRANSFERRED, OR MADE AVAILABLE TO OTHERS, EXCEPT WITH THE EXPRESS CONSENT OF MANARAS-OPERA. IT IS LOANED IN CONFIDENCE FOR MUTUAL ASSISTANCE PURPOSES ONLY. MANARAS-OPERA MAY AT ANY TIME, WRITTEN MODIFY THE DRAWING AND/OR INFORMATION CONTAINED HEREIN.

No	Qty	DESCRIPTION	# MANARAS	REV
122		THRUST WASHER ID 5/8" OD 1-1/8"	BEARING024	
123		COLLAR 5/8"	COLLAR004	
124		5/16-18 X 5/16 SET SCREW	SCREW003	
125		TOGGLE SWITCH SPRING	SPRING030	0
102		TYPE A PLAIN WASHER 5/8 N ZP	WASHER014	0
103		5/8-18 HEX JAM NUT ZP	NUT013	72
104		5/8-18 HEX JAM NUT ZP	NUT013	73
105		EXT. RETAINING RING	CLIP017	74
106		KEY 3/16 X 1-1/2 ROUNDED ENDS	KW013	5
107		FLANGED BEARING ID 1"	BEARING007	76
108		MANUAL HOIST COUPLING	COUPLING019	A
109		COMP. SPRING DISC. OSH	SPRING043	2
110		EXT. RETAINING RING	CLIP017	79
111		THRUST WASHER ID 5/8" OD 1-1/8"	BEARING024	80
112		OILLITE WASHER (.625X1.00X.125)	WASHER057	0
113		DISCONNECT FORK LH	FORK002	6
114		FORK PIVOT BRACKET	BRACKET201	1
115		1/4-20 X 4-1/2 HEX BOLT	BOLT109	84
116		PUSH NUT 1/4"	CLIP029	85
117		10-24 X 1/2 TYPE F S-TAP. SCREW	SCREW067	86
118		10-24 X 1/2 TYPE F S-TAP. SCREW	SCREW067	87
119		OPERA POCKETWHEEL	POCKETWHEEL005	2
120		CHAIN GUIDE OPERA	GUIDE014	3
121		TYPE A PLAIN WASHER 5/8 N ZP	WASHER014	0
91		KEY 3/16 X 1/2	KW031	5
92		OPERA CLUTCHPLATE	CLUTCHPLATE006	3
93		TYPE A PLAIN WASHER 5/8 N ZP	WASHER014	0
94		BELLEVILLE WASHER (31.5X16.3X0.8)	WASHER035	
95		BELLEVILLE WASHER (31.5X16.3X0.8)	WASHER035	
96		BELLEVILLE WASHER (31.5X16.3X0.8)	WASHER035	
97		BELLEVILLE WASHER (31.5X16.3X0.8)	WASHER035	
98		BELLEVILLE WASHER (31.5X16.3X0.8)	WASHER035	
99		BELLEVILLE WASHER (31.5X16.3X0.8)	WASHER035	
100		BELLEVILLE WASHER (31.5X16.3X0.8)	WASHER035	
101		BELLEVILLE WASHER (31.5X16.3X0.8)	WASHER035	
5		OPERA HANDLE	HANDLE005	9
7		5/16-18 X 3/4 RND HD SQ NECK BOLT	BOLT093	
8		5/16-18 HEX SERRATED FLANG NUT ZP	NUT055	
9		5/16-18 X 3/4 RND HD SQ NECK BOLT	BOLT093	
10		5/16-18 HEX SERRATED FLANG NUT ZP	NUT055	
11		5/16-18 X 3/4 RND HD SQ NECK BOLT	BOLT093	
12		5/16-18 HEX SERRATED FLANG NUT ZP	NUT055	
13		5/16-18 X 3/4 RND HD SQ NECK BOLT	BOLT093	
14		5/16-18 X 3/4 RND HD SQ NECK BOLT	BOLT093	
15		5/16-18 X 3/4 RND HD SQ NECK BOLT	BOLT093	
16		5/16-18 X 3/4 RND HD SQ NECK BOLT	BOLT093	
17		5/16-18 X 3/4 RND HD SQ NECK BOLT	BOLT093	
18		5/16-18 X 3/4 RND HD SQ NECK BOLT	BOLT093	
19		5/16-18 X 3/4 RND HD SQ NECK BOLT	BOLT093	
20		5/16-18 X 3/4 RND HD SQ NECK BOLT	BOLT093	
21		5/16-18 X 3/4 RND HD SQ NECK BOLT	BOLT093	
22		5/16-18 X 3/4 RND HD SQ NECK BOLT	BOLT093	
23		5/16-18 X 3/4 RND HD SQ NECK BOLT	BOLT093	
24		5/16-18 X 3/4 RND HD SQ NECK BOLT	BOLT093	
25		5/16-18 X 3/4 RND HD SQ NECK BOLT	BOLT093	
26		5/16-18 X 3/4 RND HD SQ NECK BOLT	BOLT093	
27		5/16-18 X 3/4 RND HD SQ NECK BOLT	BOLT093	
28		5/16-18 X 3/4 RND HD SQ NECK BOLT	BOLT093	
29		5/16-18 X 3/4 RND HD SQ NECK BOLT	BOLT093	
30		5/16-18 X 3/4 RND HD SQ NECK BOLT	BOLT093	
31		5/16-18 X 3/4 RND HD SQ NECK BOLT	BOLT093	
32		5/16-18 X 3/4 RND HD SQ NECK BOLT	BOLT093	
33		5/16-18 X 3/4 RND HD SQ NECK BOLT	BOLT093	
34		5/16-18 X 3/4 RND HD SQ NECK BOLT	BOLT093	
35		5/16-18 X 3/4 RND HD SQ NECK BOLT	BOLT093	
36		5/16-18 X 3/4 RND HD SQ NECK BOLT	BOLT093	
37		5/16-18 X 3/4 RND HD SQ NECK BOLT	BOLT093	
38		5/16-18 X 3/4 RND HD SQ NECK BOLT	BOLT093	
39		5/16-18 X 3/4 RND HD SQ NECK BOLT	BOLT093	
40		5/16-18 X 3/4 RND HD SQ NECK BOLT	BOLT093	
41		5/16-18 X 3/4 RND HD SQ NECK BOLT	BOLT093	
42		5/16-18 X 3/4 RND HD SQ NECK BOLT	BOLT093	
43		5/16-18 X 3/4 RND HD SQ NECK BOLT	BOLT093	
44		5/16-18 X 3/4 RND HD SQ NECK BOLT	BOLT093	
45		5/16-18 X 3/4 RND HD SQ NECK BOLT	BOLT093	
46		5/16-18 X 3/4 RND HD SQ NECK BOLT	BOLT093	
47		5/16-18 X 3/4 RND HD SQ NECK BOLT	BOLT093	
48		5/16-18 X 3/4 RND HD SQ NECK BOLT	BOLT093	
49		5/16-18 X 3/4 RND HD SQ NECK BOLT	BOLT093	
50		5/16-18 X 3/4 RND HD SQ NECK BOLT	BOLT093	
51		5/16-18 X 3/4 RND HD SQ NECK BOLT	BOLT093	
52		5/16-18 X 3/4 RND HD SQ NECK BOLT	BOLT093	
53		5/16-18 X 3/4 RND HD SQ NECK BOLT	BOLT093	
54		5/16-18 X 3/4 RND HD SQ NECK BOLT	BOLT093	
55		5/16-18 X 3/4 RND HD SQ NECK BOLT	BOLT093	
56		5/16-18 X 3/4 RND HD SQ NECK BOLT	BOLT093	
57		5/16-18 X 3/4 RND HD SQ NECK BOLT	BOLT093	
58		5/16-18 X 3/4 RND HD SQ NECK BOLT	BOLT093	
59		5/16-18 X 3/4 RND HD SQ NECK BOLT	BOLT093	
60		5/16-18 X 3/4 RND HD SQ NECK BOLT	BOLT093	
61		5/16-18 X 3/4 RND HD SQ NECK BOLT	BOLT093	
62		5/16-18 X 3/4 RND HD SQ NECK BOLT	BOLT093	
63		5/16-18 X 3/4 RND HD SQ NECK BOLT	BOLT093	
64		5/16-18 X 3/4 RND HD SQ NECK BOLT	BOLT093	
65		5/16-18 X 3/4 RND HD SQ NECK BOLT	BOLT093	
66		5/16-18 X 3/4 RND HD SQ NECK BOLT	BOLT093	
67		5/16-18 X 3/4 RND HD SQ NECK BOLT	BOLT093	
68		5/16-18 X 3/4 RND HD SQ NECK BOLT	BOLT093	
69		5/16-18 X 3/4 RND HD SQ NECK BOLT	BOLT093	
70		5/16-18 X 3/4 RND HD SQ NECK BOLT	BOLT093	



APPROUVÉ
Jonathan P.
 2019-01-28

PART DESCRIPTION	
SUBA OSH 94RPM FRAME LEFT HAND	
PART NUMBER	MANARAS-OPERA
OSHDRFRAMEHL	136 ONEIDA DRIVE
DRAWN BY: J. PROULX	POINTE-CLAIRE, QC, H9R 1A8
DATE: 2015-07-02	TEL: 1-800-361-2260
UPDATED BY: J. Proulx	FAX: 1-888-626-0606
DATE: 2019-01-28	

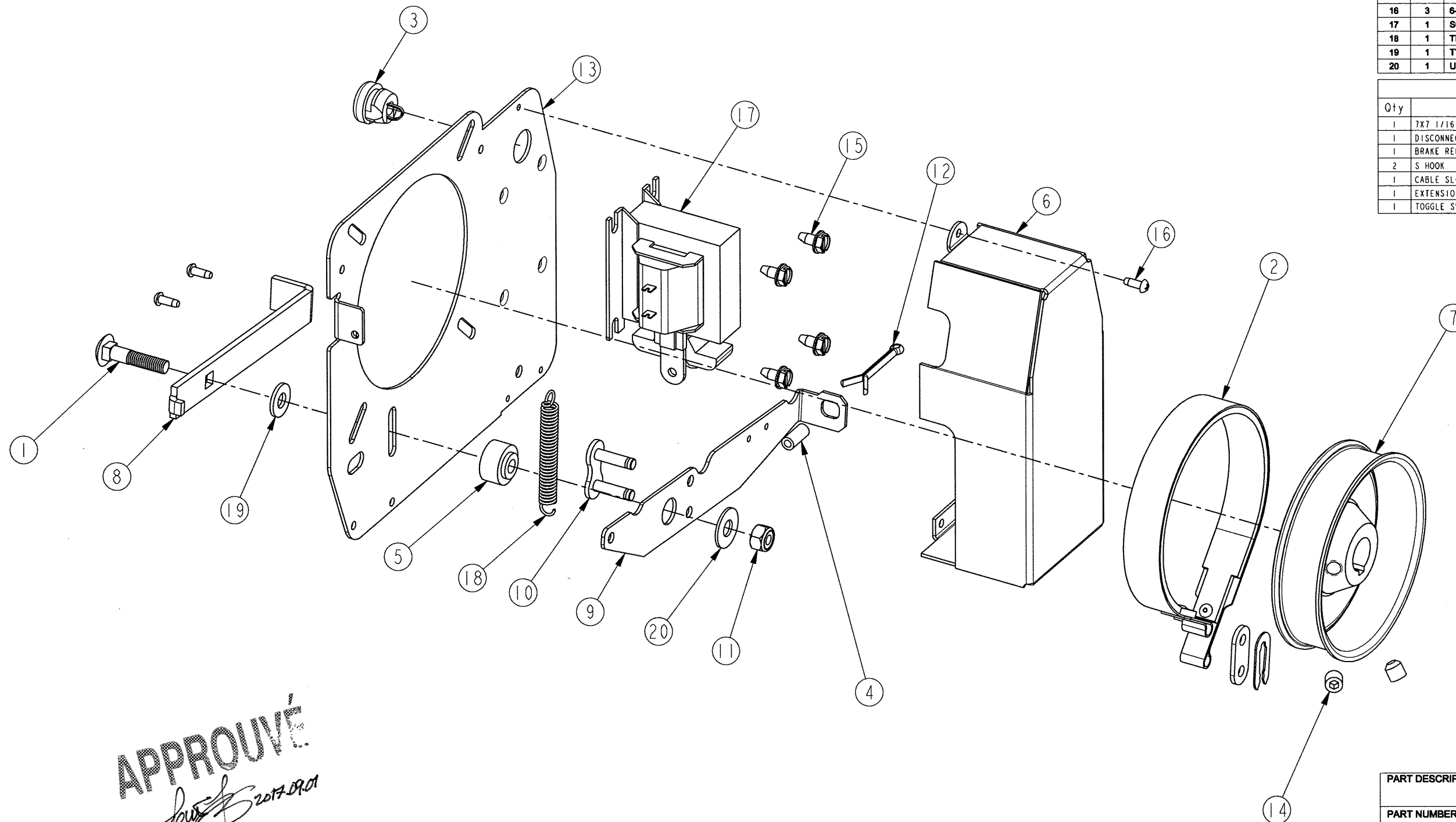
CONFIDENTIAL: THIS DRAWING AND/OR THE INFORMATION CONTAINED HEREIN IS AND REMAINS THE SOLE PROPERTY OF, AND IS PROPRIETARY TO, MANARAS-OPERA. THIS DRAWING AND/OR INFORMATION SHALL BE KEPT CONFIDENTIAL AND MAY NOT BE REPRODUCED, COPIED, MODIFIED, DISCLOSED, TRANSFERRED, OR MADE AVAILABLE TO OTHERS, EXCEPT WITH THE EXPRESS CONSENT OF MANARAS-OPERA. IT IS LOANED IN CONFIDENCE FOR MUTUAL ASSISTANCE PURPOSES ONLY. MANARAS-OPERA MAY AT ANY TIME, WRITTEN MODIFY THE DRAWING AND/OR INFORMATION CONTAINED HEREIN.



Qty	DESCRIPTION	# MANARAS
120V - 1PH	SOLENOID SWITCH 120V	SOLENOID010
230V - 1PH	SOLENOID SWITCH 240V	SOLENOID002
208V - 3PH	SOLENOID SWITCH 240V	SOLENOID002
460V - 3PH	SOLENOID SWITCH 440V	SOLENOID003
575V - 3PH	SOLENOID SWITCH 575V	SOLENOID004

No	Qty	DESCRIPTION	# MANARAS	REV
1	1	1/4-20 X 1-1/4 RND HD SQ NECK BOLT	BOLT083	
2	1	BRAKE BAND ASSEMBLY #2	BRAKEPART021	
3	1	0.300 CABLESTRAIN RELIEF 5/8" OD	BUSHING067	
4	1	ZINC PLT STEEL SPACER 1/40D 9/16L	BUSHING072	0
5	1	BRAKE LEVER PIVOT	BUSHING074	0
6	1	PLATED SOLENOID COVER	COVER048	5
7	1	STEEL BRAKE DRUM ID 0.628	DRUM005	2
8	1	ADJUSTMENT BRAKE LEVER	LEVER064	4
9	1	BRAKE LEVER	LEVER098	1
10	1	#50 CONNECTING LINK 50-1	LINK011	
11	1	1/4-20 HEX NYLON LOCK NUT ZP	NUT020	
12	1	PIN COTTER 1/8 X 1-1/2	PIN001	
13	1	BRAKE PLATE	PLATE122	0
14	2	5/16-18 X 5/16 SET SCREW	SCREW003	
15	4	10-24 X 3/8 TYPE T S-TAP. SCREW	SCREW022	
16	3	6-32 X 3/8 TYPE T S-TAP. SCREW	SCREW094	
17	1	SOLENOID	SEE TABLE	
18	1	TROLLEY ARM DISCONNECT SPRING	SPRING026	
19	1	TYPE A PLAIN WASHER 1/4 N ZP	WASHER004	0
20	1	USS STD WASHER 5/16 ZP	WASHER074	0

NOT SHOWN IN DRAWING		
Qty	DESCRIPTION	# MANARAS
1	7X7 1/16"X33"CW STOP	CABLE026
1	DISCONNECT CHAIN 7.0" LONG - 14 LINKS	CHAIN082
1	BRAKE RELEASE CHAIN 4" - 8 LINKS	CHAIN084
2	S HOOK	HOOK001
1	CABLE SLEEVE 1/16	SLEEVE001
1	EXTENSION SPRING E480-063-3275	SPRING027
1	TOGGLE SWITCH SPRING	SPRING030



APPROUVÉ
[Signature] 2017.09.01

PART DESCRIPTION		
BAND BRAKE ASSEMBLY KIT		
PART NUMBER	BRAKE016 (DRAWING041)	MANARAS-OPERA 136 ONEIDA DRIVE POINTE-CLAIRE, QC, H9R 1A8
DRAWN BY:	LFM	TEL: 1-800-361-2260
DATE:	2017.09.01	FAX: 1-888-626-0606
UPDATED BY:		
DATE:		

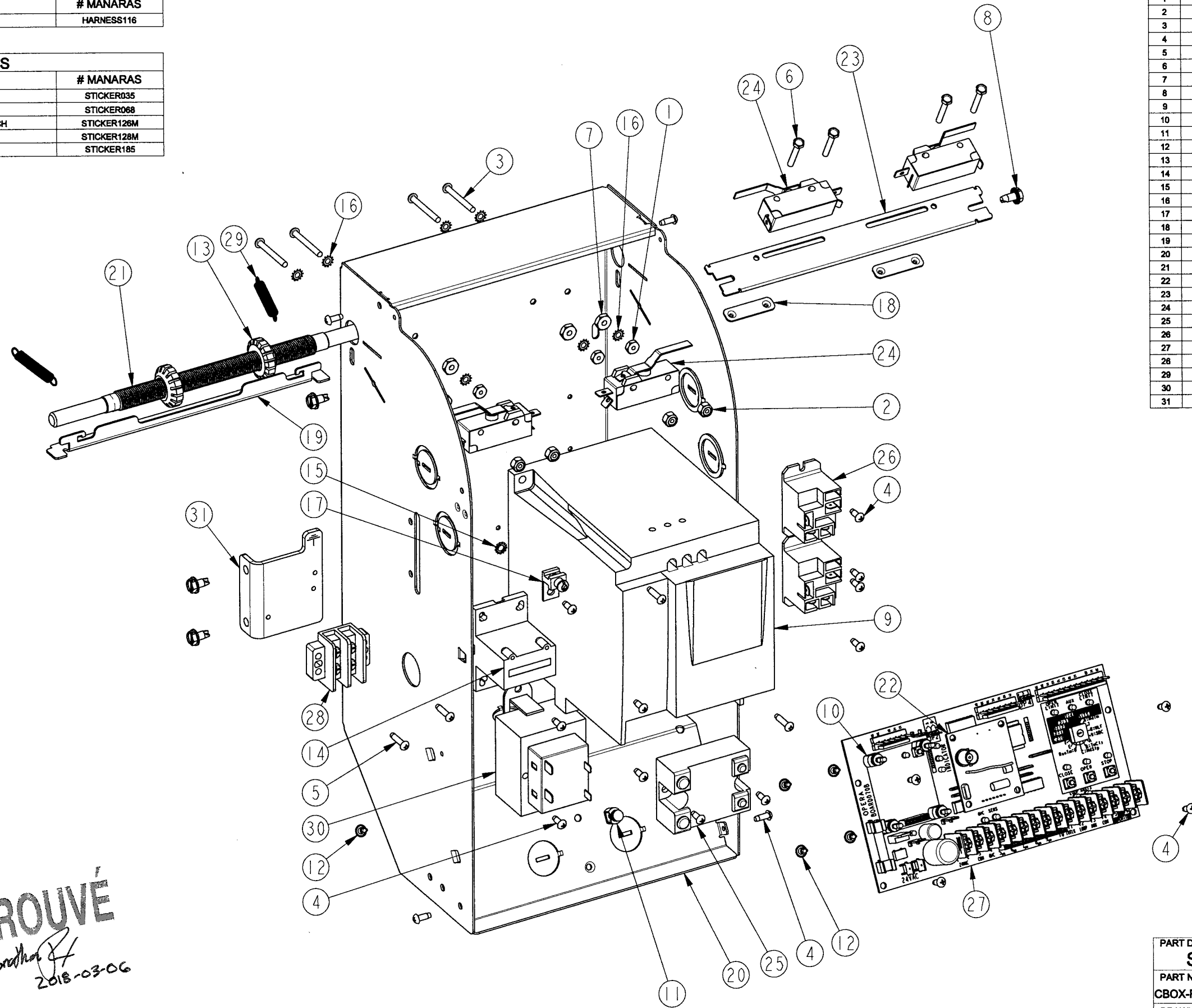


SHEET: 1 of 1

CONFIDENTIAL: THIS DRAWING AND/OR THE INFORMATION CONTAINED HEREIN IS AND REMAINS THE SOLE PROPERTY OF, AND IS PROPRIETARY TO, MANARAS-OPERA. THIS DRAWING AND/OR INFORMATION SHALL BE KEPT CONFIDENTIAL AND MAY NOT BE REPRODUCED, COPIED, MODIFIED, DISCLOSED, TRANSFERRED, OR MADE AVAILABLE TO OTHERS, EXCEPT WITH THE EXPRESS CONSENT OF MANARAS-OPERA. IT IS LOANED IN CONFIDENCE FOR MUTUAL ASSISTANCE PURPOSES ONLY. MANARAS-OPERA MAY AT ANY TIME, WRITTEN MODIFY THE DRAWING AND/OR INFORMATION CONTAINED HEREIN.

HARNESS		
Qty	DESCRIPTION	# MANARAS
1	CONTROL HARNESS	HARNESS116

LABELS		
Qty	DESCRIPTION	# MANARAS
1	"L" 115VAC 1PH 7/8"x1/2" YELLOW	STICKER035
1	USE COPP... STICKER 1.75"x3/16"ENG	STICKER068
2	WARNING DECELERATION LIMIT SWITCH	STICKER126M
1	FACTORY SET DRIVE	STICKER128M
1	CLASS 2 SUPPLY AND ACCESSORIES	STICKER185



No	Qty	DESCRIPTION	# MANARAS	REV
1	4	6-32 HEX NUT ZP	NUT002	
2	4	6-32 HEX NYLON LOCK NUT ZP	NUT018	
3	4	6-32 X 1.25 MACHINE SCREW	SCREW109	
4	19	6-32 X 3/8 TYPE T S-TAP. SCREW	SCREW094	
5	4	6-32 X 5/8 TYPE F S-TAP. SCREW	SCREW095	
6	4	6-32 X 7/8 MACHINE SCREW HEX HD	SCREW117	
7	4	10-24 HEX NUT ZP	NUT004	
8	4	10-24 X 3/8 TYPE T S-TAP. SCREW	SCREW022	
9	1	AC. DRIVE 1HP 120V 1PH	DRIVE009	
10	4	BOARD SUPPORT 7/16 IN.	SUPPORT014	
11	1	BOARD SUPPORT 7/16 IN. CUT	SUPPORT014	
12	5	BOARD SUPPORT RIVET	SUPPORT002	
13	2	CAM LIMIT OPERA	CAM011	2
14	1	ELMEC COUNT. BASE MT. 24VAC 6D	CYCLE006	
15	1	EXT. OVERLAP TOOTH LOCK WASHER M4	WASHER065	
16	8	EXTERNAL TOOTH LOCKWASHER NO 6 ZP	WASHER067	0
17	1	GROUND LUG TA61G-UL	CONNECTOR039	
18	2	LS MOUNTING BRKT	BRACKET246	2
19	1	OPERA CBOX CAMPLATE	CAMPLATED19	6
20	1	OPERA CONTROL BOX - DRIVE	CBOX043	4
21	1	OPERA LIMIT SHAFT	SHAFT103	9
22	1	RADIO REC. ROLL. CODE	RADIORE101	
23	1	RSH / RVH ADV LS BRACKET	BRACKET267	2
24	4	SINGLE LIMIT SWITCH - LEVER 46 DEG	LIMIT023	4
25	1	SPDT 4-32VDC RELAY	RELAY062	
26	2	SPST-NO 30A 24VDC FLANGE MOUNT.	RELAY088	
27	1	STD ELECT. CONTR. BOARD	BOARD070	
28	1	TERMINAL STRIP 2 POSITIONS	TSTRIP009	
29	2	TOGGLE SWITCH SPRING	SPRING030	0
30	1	TRANSFO 120/240-24 40VA	TRANSF143	
31	1	TSTRIP SUPPORT FOR CBOX043	BRACKET266	1

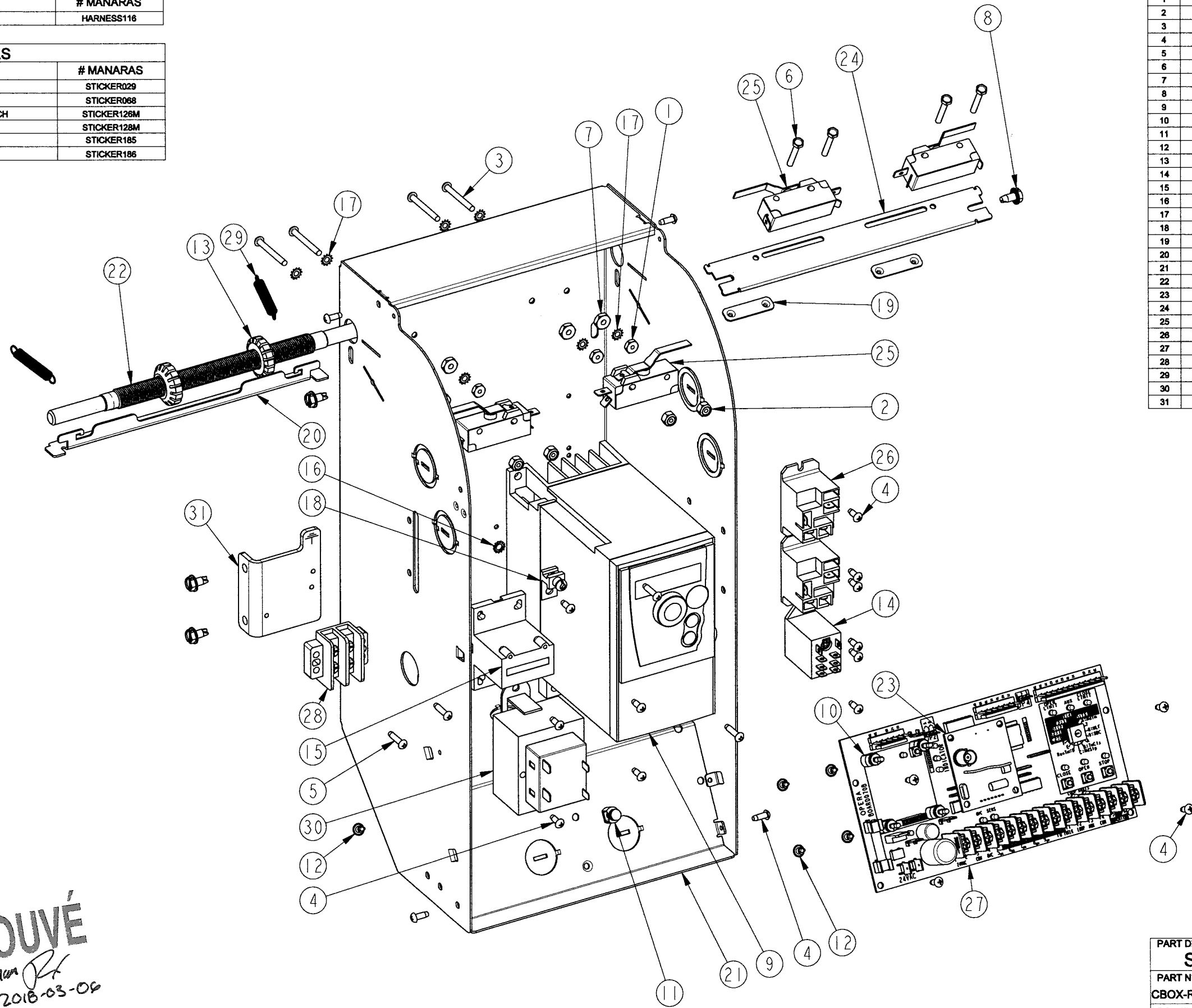
APPROUVÉ
Jonathan Proulx
 2018-03-06

PART DESCRIPTION		
SUBA CBOX RAPIDO DRIVE+ECB 120V		
PART NUMBER	CBOX-RAPIDO-EM-120V	MANARAS-OPERA 136 ONEIDA DRIVE POINTE-CLAIRE, QC, H9R 1A8 TEL: 1-800-361-2260 FAX: 1-888-626-0606
DRAWN BY:	J.Proulx	
DATE:	2014-10-01	
UPDATED BY:	J. PROULX	
DATE:	2018-03-06	SHEET: 1 of 1

CONFIDENTIAL: THIS DRAWING AND/OR THE INFORMATION CONTAINED HEREIN IS AND REMAINS THE SOLE PROPERTY OF, AND IS PROPRIETARY TO, MANARAS-OPERA. THIS DRAWING AND/OR INFORMATION SHALL BE KEPT CONFIDENTIAL AND MAY NOT BE REPRODUCED, COPIED, MODIFIED, DISCLOSED, TRANSFERRED, OR MADE AVAILABLE TO OTHERS, EXCEPT WITH THE EXPRESS CONSENT OF MANARAS-OPERA. IT IS LOANED IN CONFIDENCE FOR MUTUAL ASSISTANCE PURPOSES ONLY. MANARAS-OPERA MAY AT ANY TIME, WRITTEN MODIFY THE DRAWING AND/OR INFORMATION CONTAINED HEREIN.

HARNESS		
Qty	DESCRIPTION	# MANARAS
1	CONTROL HARNESS	HARNESS116

LABELS		
Qty	DESCRIPTION	# MANARAS
1	L1 L2 230VAC 1PH 7/8"X1/2" YELLOW	STICKER029
1	USE COPP... STICKER 1.75"X3/16"ENG	STICKER068
2	WARNING DECELERATION LIMIT SWITCH	STICKER126M
1	FACTORY SET DRIVE	STICKER128M
1	CLASS 2 SUPPLY AND ACCESSORIES	STICKER185
1	WARNING 240V	STICKER186



No	Qty	DESCRIPTION	# MANARAS	REV
1	4	6-32 HEX NUT ZP	NUT002	
2	4	6-32 HEX NYLON LOCK NUT ZP	NUT018	
3	4	6-32 X 1.25 MACHINE SCREW	SCREW109	
4	19	6-32 X 3/8 TYPE T S-TAP. SCREW	SCREW094	
5	4	6-32 X 5/8 TYPE F S-TAP. SCREW	SCREW095	
6	4	6-32 X 7/8 MACHINE SCREW HEX HD	SCREW117	
7	4	10-24 HEX NUT ZP	NUT004	
8	4	10-24 X 3/8 TYPE T S-TAP. SCREW	SCREW022	
9	1	AC.DRIVE 1HP 240V 1PH	DRIVE16	
10	4	BOARD SUPPORT 7/16 IN.	SUPPORT014	
11	1	BOARD SUPPORT 7/16 IN. CUT	SUPPORT014	
12	5	BOARD SUPPORT RIVET	SUPPORT002	
13	2	CAM LIMIT OPERA	CAM011	2
14	1	DPDT 24VDC RELAY	RELAY052	
15	1	ELMEC COUNT. BASE MT. 24VAC 6D	CYCLE006	
16	1	EXT. OVERLAP TOOTH LOCK WASHER M4	WASHER065	
17	8	EXTERNAL TOOTH LOCKWASHER NO 6 ZP	WASHER067	0
18	1	GROUND LUG TA61G-JL	CONNECTOR039	
19	2	LS MOUNTING BRKT	BRACKET246	2
20	1	OPERA CBOX CAMPLATE	CAMPLATE019	6
21	1	OPERA CONTROL BOX - DRIVE	CBOX043	4
22	1	OPERA LIMIT SHAFT	SHAFT103	9
23	1	RADIO REC. ROLL. CODE	RADIORE101	
24	1	RSH / RVH ADV LS BRACKET	BRACKET267	2
25	4	SINGLE LIMIT SWITCH - LEVER 46 DEG	LIMIT023	4
26	2	SPST-NO 30A 24VDC FLANGE MOUNT.	RELAY068	
27	1	STD ELECT. CONTR. BOARD	BOARD070	
28	1	TERMINAL STRIP 2 POSITIONS	TSTRIP009	
29	2	TOGGLE SWITCH SPRING	SPRING030	0
30	1	TRANSFO 120/240-24 40VA	TRANSF143	
31	1	TSTRIP SUPPORT FOR CBOX043	BRACKET268	1

APPROUVÉ
Zachary P.
 2018-03-06

PART DESCRIPTION SUBA CBOX RAPIDO DRIVE+ECB 240V		
PART NUMBER CBOX-RAPIDO-EM-240V	MANARAS-OPERA 136 ONEIDA DRIVE POINTE-CLAIRE, QC, H9R 1A8	
DRAWN BY: O.BOTEZATU	TEL: 1-800-361-2260	
DATE: 2017.01.18	FAX: 1-888-626-0606	
UPDATED BY: J. PROULX		
DATE: 2018-03-06		



SHEET: 1 of 1

CONFIDENTIAL: THIS DRAWING AND/OR THE INFORMATION CONTAINED HEREIN IS AND REMAINS THE SOLE PROPERTY OF, AND IS PROPRIETARY TO, MANARAS-OPERA. THIS DRAWING AND/OR INFORMATION SHALL BE KEPT CONFIDENTIAL AND MAY NOT BE REPRODUCED, COPIED, MODIFIED, DISCLOSED, TRANSFERRED, OR MADE AVAILABLE TO OTHERS, EXCEPT WITH THE EXPRESS CONSENT OF MANARAS-OPERA. IT IS LOANED IN CONFIDENCE FOR MUTUAL ASSISTANCE PURPOSES ONLY. MANARAS-OPERA MAY AT ANY TIME, WRITTEN MODIFY THE DRAWING AND/OR INFORMATION CONTAINED HEREIN.