

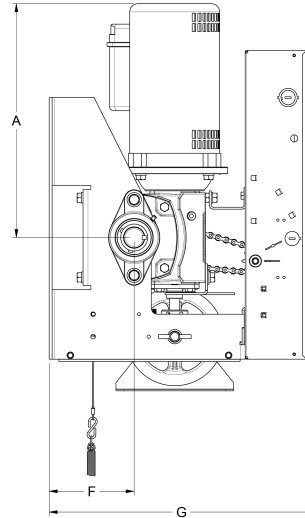
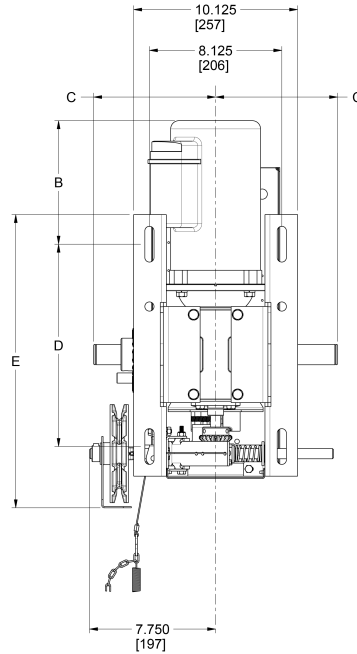
### Project Details

Date: \_\_\_\_\_  
 Drawing No.: \_\_\_\_\_  
 Architect/Engineer: \_\_\_\_\_  
 Customer: \_\_\_\_\_

Page: \_\_\_\_\_ of \_\_\_\_\_  
 Project No.: \_\_\_\_\_  
 Project Name: \_\_\_\_\_  
 Contractor: \_\_\_\_\_

### Dimensions & Ratings

Motor Amperage Rating						
HP	Voltage - Phase					
	120V - 1PH	240V - 1PH	208V - 3PH	480V - 3PH	600V - 3PH	
1/2	9,0	4,5	2,2	1,1	-	
3/4	11,2	5,6	3,2	1,5	1,2	
1	13,6	6,8	3,7	1,7	1,4	
1-1/2	19,6	9,8	5,3	2,5	2,0	
2	-	-	6,5	3,1	2,5	
3	-	-	8,5	4,1	3,3	
5	-	-	16,7	7,6	6,1	
Brake Motor Upgrade						
2	-	-	5,6	2,8	2,2	
3	-	-	7,6	3,8	3,0	
5	-	-	12,4	6,2	4,9	



	STANDARD MOTOR UP TO 1.5 HP	STANDARD MOTOR 2 TO 5 HP
A	14.625 MAX. [371]	17.500 MAX. [445]
B	8.000 MAX. [203]	11.250 MAX. [286]
C	7.500 [191]	8.000 [203]
D	12.375 [314]	12.625 [321]
E	18.000 [457]	17.875 [454]
F	5.250 [133]	5.875 [149]
G	16.250 [413]	17.625 [448]

	BRAKE MOTOR UP TO 1.5 HP	BRAKE MOTOR 2 TO 5 HP
A	20.844 MAX. [529]	25.594 MAX. [650]
B	14.688 MAX. [373]	19.438 MAX. [494]
C	7.500 [191]	8.000 [203]
D	12.375 [314]	12.625 [321]
E	18.000 [457]	17.875 [454]
F	5.250 [133]	5.875 [149]
G	16.250 [413]	17.625 [448]

Reg. T.M. 9141-0720 Québec Inc.

### Ordering Specifications

Quantity: \_\_\_\_\_  
 Horsepower: \_\_\_\_\_  
 Phase: \_\_\_\_\_

Door Type: \_\_\_\_\_  
 Door Shaft Height: \_\_\_\_\_ H  
 Amount of High Lift: \_\_\_\_\_ H  
 Drum Type/Size: \_\_\_\_\_  
 Barrel Diameter: \_\_\_\_\_ Ø  
 Brake Motor Upgrade: \_\_\_\_\_

Operator Nema Rating: \_\_\_\_\_  
 3-Push Button Station Rating: \_\_\_\_\_

Motor Circuit Type: \_\_\_\_\_

Model: \_\_\_\_\_  
 Volts: \_\_\_\_\_  
 Hertz: \_\_\_\_\_

Door Width/Height: \_\_\_\_\_ W x \_\_\_\_\_ H  
 Drive Sprocket: \_\_\_\_\_  
 Drive Sprocket & Chain: \_\_\_\_\_  
 Hand Chain (location): \_\_\_\_\_  
 Friction Clutch (location): \_\_\_\_\_

Qty 3-PB Station(s)/Operator: \_\_\_\_\_  
 (One 3-PB station supplied/operator unless otherwise noted)

Photo Cell Upgrade: \_\_\_\_\_  
 (Nema-1 rating supplied unless otherwise noted)

