



OSL

Sliding Door Operator

Architectural Shop Drawing

Heavy-Duty

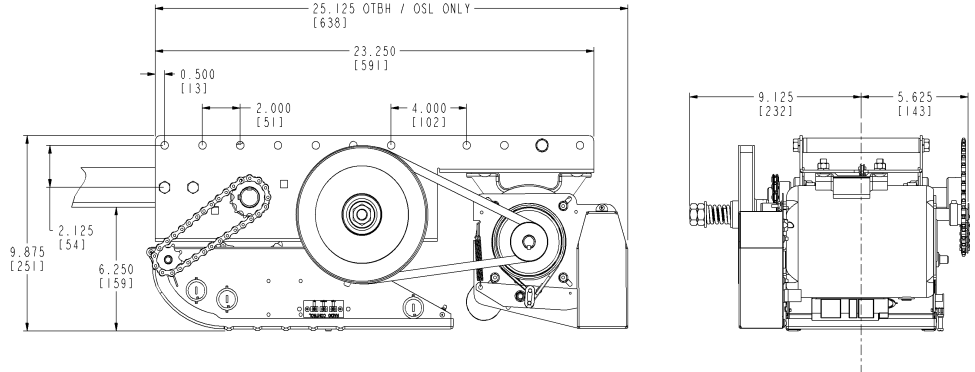
Project Details

Date: _____
 Drawing No.: _____
 Architect/Engineer: _____
 Customer: _____

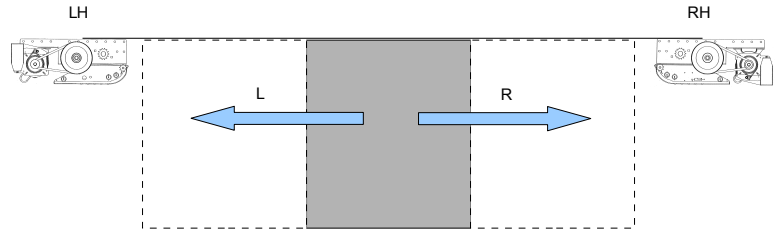
Page: _____ of _____
 Project No.: _____
 Project Name: _____
 Contractor: _____

Dimensions & Ratings

Motor Amperage Rating						
HP	Voltage - Phase					
	115V - 1PH	230V - 1PH	208/230V - 3PH	460V - 3PH	575V - 3PH	
1/2	8,1	4,0	2,1	1,0	0,8	
3/4	11,2	5,6	3,2	1,5	1,2	
1	13,6	6,8	4,4	2,1	1,6	



Reg. T.M. 9141-0720 Québec Inc.



Ordering Specifications

Quantity: _____
 Horsepower: _____
 Phase: _____

Model: _____
 Volts: _____
 Hertz: _____

Door Type: _____
 Door Opens Towards: _____

Door Width/Height: _____ W x _____ H
 Operator Handling: _____

Operator Nema Rating: _____
 3-Push Button Station Rating: _____

Qty 3-PB Station(s)/Operator: _____
 (One 3-PB station supplied/operator unless otherwise noted)

Motor Circuit Type: _____

Photo Cell Upgrade: _____
 (Nema-1 rating supplied unless otherwise noted)

Additional Equipment & Options

Refer to the operator's Specification Sheet and/or Wiring Diagram for General Information