



OPHW/C

Jackshaft Operator

Architectural Shop Drawing

Heavy-Duty Hoist

Nema 4/12 - Damp Environment / Oil Tight / Dust Tight

Nema 4X - Corrosive Environment

Project Details

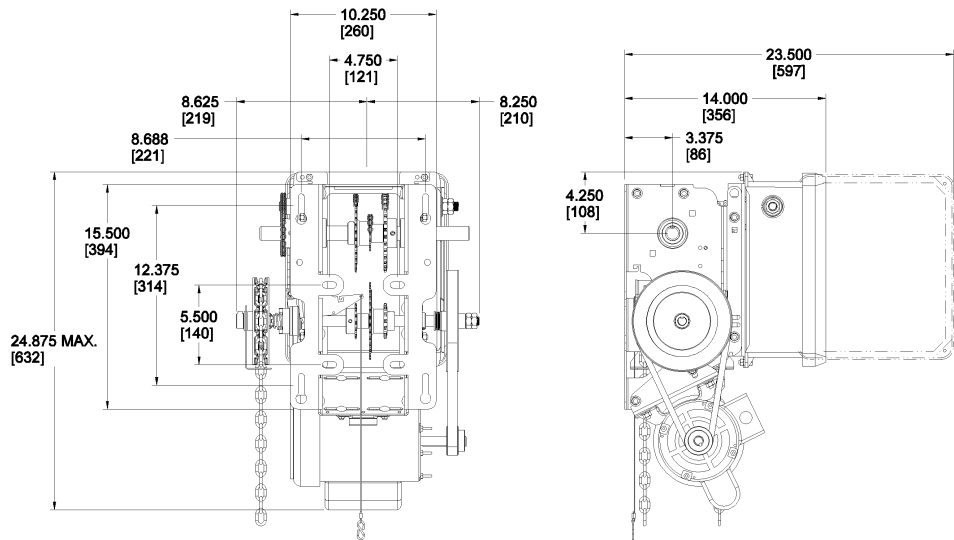
Date: _____
 Drawing No.: _____
 Architect/Engineer: _____
 Customer: _____

Page: _____ of _____
 Project No.: _____
 Project Name: _____
 Contractor: _____

Dimensions and Ratings

Motor Amperage Rating – Nema 4/12						
HP	Voltage - Phase					
	120V - 1PH	240V - 1PH	208/240V - 3PH	480V - 3PH	600V - 3PH	
½	6,6	3,3	2,2	1,1	0,9	
¾	11,0	5,5	2,8	1,4	1,1	
1	13,4	6,7	3,6	1,8	1,5	

Motor Amperage Rating – Nema 4X						
HP	Voltage - Phase					
	120V - 1PH	240V - 1PH	208/240V - 3PH	480V - 3PH	600V - 3PH	
½	8,0	4,0	1,6	0,8	0,6	
¾	11,0	5,5	2,2	1,1	0,9	
1	12,8	6,4	3,2	1,6	1,3	



Reg. T.M. 9141-0720 Québec Inc.

Ordering Specifications

Quantity: _____
 Horsepower: _____
 Phase: _____

Model: _____
 Volts: _____
 Hertz: _____

Door Type: _____
 Door Shaft Height: _____ H
 Amount of High Lift: _____ H
 Drum Type/Size: _____
 Barrel Diameter: _____ Ø

Door Width/Height: _____ W x _____ H
 Drive Sprocket: _____
 Hand Chain: _____

Operator Nema Rating: _____
 3-Push Button Station Rating: _____

Qty 3-PB Station(s)/Operator: _____
 (One 3-PB station supplied/operator unless otherwise noted)

Motor Circuit Type: _____

Photo Cell Upgrade: _____
 (Nema-1 rating supplied unless otherwise noted)



OPHW/C

Jackshaft Operator

Architectural Shop Drawing

Heavy-Duty Hoist

Nema 4/12 - Damp Environment / Oil Tight / Dust Tight

Nema 4X - Corrosive Environment

Additional Equipment & Options

Refer to the operator's Specification Sheet and/or Wiring Diagram for General Information