



# GHW/C

# Jackshaft Operator

Architectural Shop Drawing Heavy-Duty Industrial Gear Head  
 Nema 4/12 - Damp Environment / Oil Tight / Dust Tight  
 Nema 4X - Corrosive Environment

## Project Details

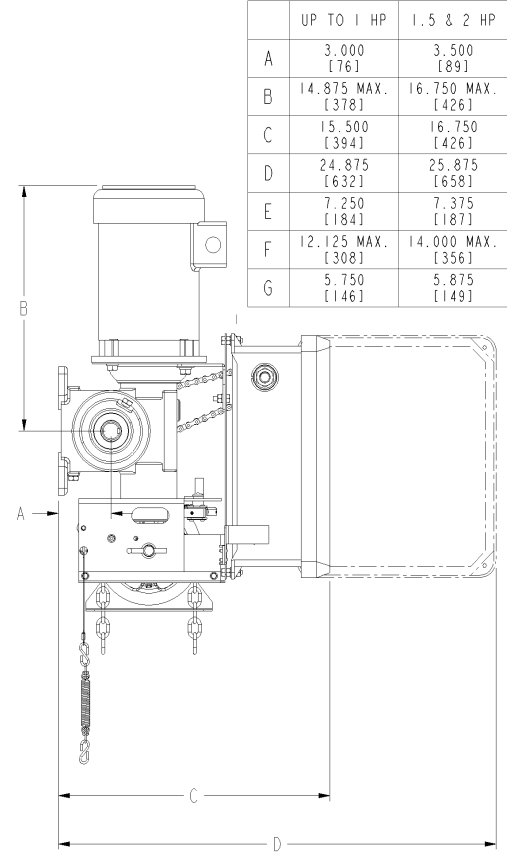
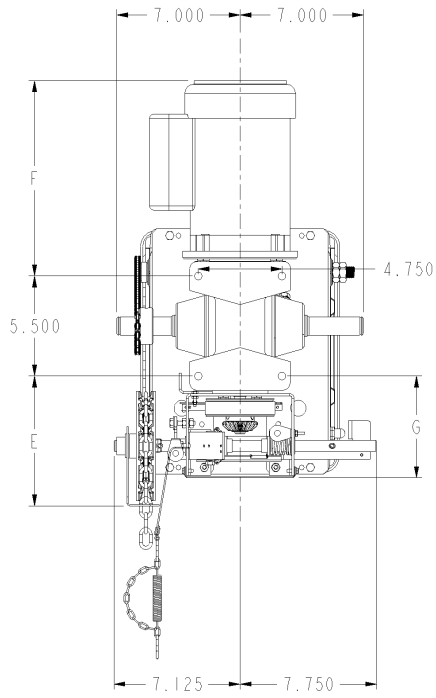
Date: \_\_\_\_\_  
 Drawing No.: \_\_\_\_\_  
 Architect/Engineer: \_\_\_\_\_  
 Customer: \_\_\_\_\_

Page: \_\_\_\_\_ of \_\_\_\_\_  
 Project No.: \_\_\_\_\_  
 Project Name: \_\_\_\_\_  
 Contractor: \_\_\_\_\_

## Dimensions and Ratings

Motor Amperage Rating – Nema 4/12						
HP	Voltage - Phase					
	120V - 1PH	240V - 1PH	208/240V - 3PH	480V - 3PH	600V - 3PH	
1/2	6,6	3,3	2,1	1,1	0,9	
3/4	11,0	2,7	2,8	1,4	1,1	
1	13,4	6,7	3,2	1,6	1,3	
1,5	18,0	9,0	4,8	2,4	2,0	
2			6,0	2,9	2,3	

Gamme d'opérateurs et courants consommés (A) – Nema 4X						
HP	Voltage - Phase					
	120V - 1PH	240V - 1PH	208/240V - 3PH	480V - 3PH	600V - 3PH	
1/2	8,0	4,0	2,1	0,8	0,6	
3/4	11,0	5,5	2,7	1,1	0,9	
1	12,8	6,4	3,5	1,6	1,3	
1,5	18,0	9,0	4,6	2,1	1,7	
2			6,5	3,1	2,2	



Reg. T.M. 9141-0720 Québec Inc.

## Ordering Specifications

Quantity: \_\_\_\_\_  
 Horsepower: \_\_\_\_\_  
 Phase: \_\_\_\_\_  
 Door Type: \_\_\_\_\_  
 Door Shaft Height: \_\_\_\_\_ H  
 Amount of High Lift: \_\_\_\_\_ H  
 Drum Type/Size: \_\_\_\_\_  
 Barrel Diameter: \_\_\_\_\_ Ø

Model: \_\_\_\_\_  
 Volts: \_\_\_\_\_  
 Hertz: \_\_\_\_\_  
 Door Width/Height: \_\_\_\_\_ W x \_\_\_\_\_ H  
 Drive Sprocket: \_\_\_\_\_  
 Drive Sprocket & Chain: \_\_\_\_\_  
 Hand Chain: \_\_\_\_\_  
 Friction Clutch: \_\_\_\_\_



# GHW/C

# Jackshaft Operator

Architectural Shop Drawing Heavy-Duty Industrial Gear Head  
Nema 4/12 - Damp Environment / Oil Tight / Dust Tight  
Nema 4X - Corrosive Environment

---

Operator Nema Rating: \_\_\_\_\_

3-Push Button Station Rating: \_\_\_\_\_

Motor Circuit Type: \_\_\_\_\_

Qty 3-PB Station(s)/Operator: \_\_\_\_\_

(One 3-PB station supplied/operator unless otherwise noted)

Photo Cell Upgrade: \_\_\_\_\_

(Nema-1 rating supplied unless otherwise noted)

## Additional Equipment & Options

---

---

---

*Refer to the operator's Specification Sheet and/or Wiring Diagram for General Information*