



# Rapido RSH

**Market Specific**

Jackshaft Operator for Fast Sectional Doors

## Architectural Shop Drawing

### Project Details

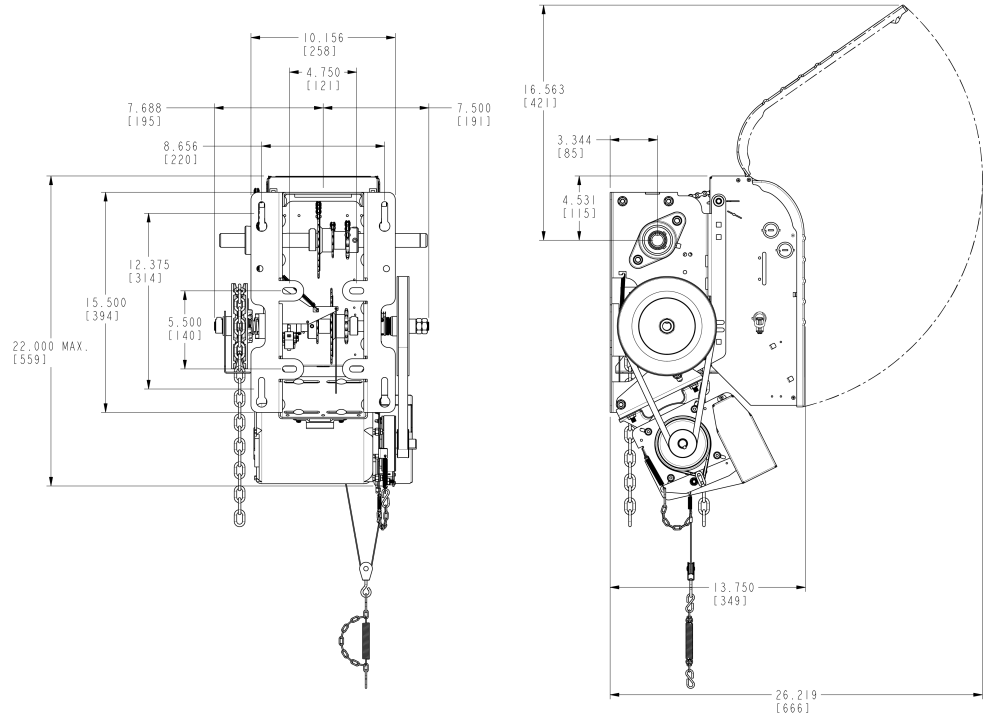
Date: \_\_\_\_\_  
 Drawing No.: \_\_\_\_\_  
 Architect/Engineer: \_\_\_\_\_  
 Customer: \_\_\_\_\_

Page: \_\_\_\_\_ of \_\_\_\_\_  
 Project No.: \_\_\_\_\_  
 Project Name: \_\_\_\_\_  
 Contractor: \_\_\_\_\_

### Dimensions & Ratings

Motor Amperage Rating			
Voltage - Phase			
HP	120V - 1PH	208V - 1PH	240V - 1PH
1	16.7	8.3	8.0

Reg. T.M. 9141-0720 Québec Inc.



### Ordering Specifications

Quantity: \_\_\_\_\_  
 Horsepower (HP): 1 HP  
 Phase: 1 Phase

Model: \_\_\_\_\_  
 Volts: \_\_\_\_\_  
 Hertz: 60 Hz

Door Type: \_\_\_\_\_  
 Door Shaft Height: \_\_\_\_\_ H  
 Amount of High Lift: \_\_\_\_\_ H  
 Drum Type/Size: \_\_\_\_\_  
 Barrel Diameter: \_\_\_\_\_ Ø

Door Width/Height: \_\_\_\_\_ W x \_\_\_\_\_ H  
 Drive Sprocket: \_\_\_\_\_  
 Hand Chain: \_\_\_\_\_

Qty 3-PB Station(s)/Operator: \_\_\_\_\_  
 (One 3-PB station supplied/operator unless otherwise noted)

3-Push Button Station Rating: \_\_\_\_\_

Motor Circuit Type: Electronic / Monitoring of Primary Entrapment Protection Device

