



MGHW/C

Nema 4/12 - Damp Environment / Oil Tight / Dust Tight
Nema 4X - Corrosive Environment

Architectural Shop Drawing

Project Details

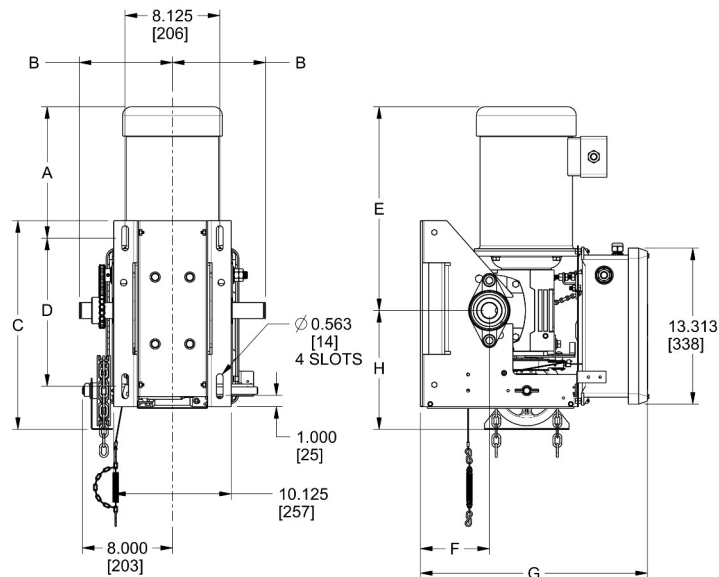
Date: _____
 Drawing No.: _____
 Architect/Engineer: _____
 Customer: _____

Page: _____ of _____
 Project No.: _____
 Project Name: _____
 Contractor: _____

Dimensions and Rating:

Motor Amperage Rating – Nema 4/12					
HP	Voltage - Phase				
	120V - 1PH	240V - 1PH	208/240V - 3PH	480V - 3PH	600V - 3PH
1/2	6,6	3,3	2,1	1,1	0,9
3/4	11,0	2,7	2,8	1,4	1,1
1	13,4	6,7	3,2	1,6	1,3
1,5	18,0	9,0	4,8	2,4	2,0
2			6,0	2,9	2,3
3			8,5	4,1	3,4
5			15,0	6,6	5,2

Motor Amperage Rating – Nema 4X					
HP	Voltage - Phase				
	120V - 1PH	240V - 1PH	208/240V - 3PH	480V - 3PH	600V - 3PH
1/2	8,0	4,0	2,1	0,8	0,6
3/4	11,0	5,5	2,7	1,1	0,9
1	12,8	6,4	3,5	1,6	1,3
1,5	18,0	9,0	4,6	2,1	1,7
2			6,5	3,1	2,2
3			8,5	4,1	3,3
5			15,4	7,1	5,7



	STD MOTOR UP TO 1.5 HP	STD MOTOR 2 and 3 HP
A	10.000 MAX. [254]	11.375 MAX. [289]
B	7.500 [191]	8.000 [203]
C	18.000 [457]	17.875 [454]
D	12.375 [314]	12.625 [321]
E	16.625 MAX. [422]	17.500 MAX. [445]
F	5.250 [133]	5.875 [149]
G	20.000 [508]	21.375 [543]
H	9.375 [238]	10.188 [259]

	BRAKE MOTOR UP TO 1.5 HP	BRAKE MOTOR 2 to 5 HP
A	12.375 MAX. [314]	14.750 MAX. [3752]
B	7.500 [191]	8.000 [203]
C	18.000 [457]	17.875 [454]
D	12.375 [314]	12.625 [321]
E	19.000 MAX. [483]	20.875 MAX. [530]
F	5.250 [133]	5.875 [149]
G	20.000 [508]	21.375 [543]
H	9.375 [238]	10.188 [259]

Reg. T.M. 9141-0720 Québec Inc.



MGHW/C

Nema 4/12 - Damp Environment / Oil Tight / Dust Tight
 Nema 4X - Corrosive Environment

Ordering Specifications

Quantity: _____
 Horsepower: _____
 Phase: _____

Model: _____
 Volts: _____
 Hertz: _____

Door Type: _____
 Door Shaft Height: _____ H
 Amount of High Lift: _____ H
 Drum Type/Size: _____
 Barrel Diameter: _____ ∅

Door Width/Height: _____ W x _____ H
 Drive Sprocket: _____
 Drive Sprocket & Chain: _____
 Hand Chain (location): _____
 Friction Clutch (location): _____

Operator Nema Rating: _____
 3-Push Button Station Rating: _____

Qty 3-PB Station(s)/Operator: _____
 (One 3-PB station supplied/operator unless otherwise noted)

Motor Circuit Type: _____

Photo Cell Upgrade: _____
 (Nema-4X rating supplied unless otherwise noted)

Additional Equipment & Options

Refer to the operator's Specification Sheet and/or Wiring Diagram for General Information