



Rapido RVH

Market Specific

Jackshaft Operator for Fast Vinyl Rolling Doors
and Rolling Bug Screens

Architectural Shop Drawing

Project Details

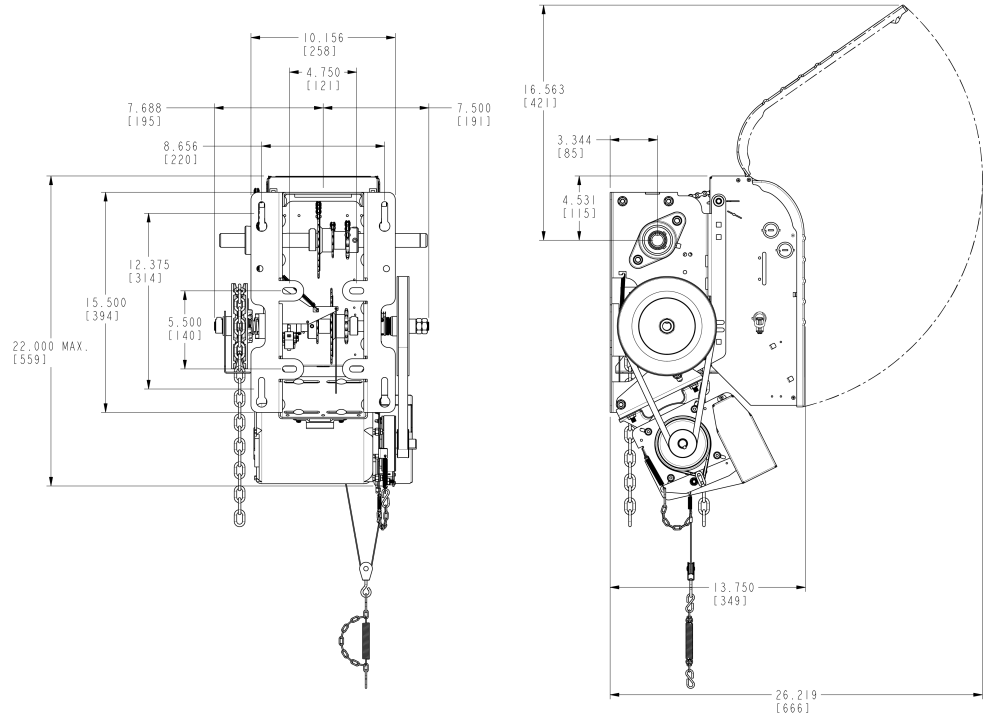
Date: _____
 Drawing No.: _____
 Architect/Engineer: _____
 Customer: _____

Page: _____ of _____
 Project No.: _____
 Project Name: _____
 Contractor: _____

Dimensions & Ratings

Motor Amperage Rating				
Voltage - Phase				
HP	120V - 1PH	208V - 1PH	240V - 1PH	
1	16.7	8.3	8.0	

Reg. T.M. 9141-0720 Québec Inc.



Ordering Specifications

Quantity: _____
 Horsepower (HP): 1 HP
 Phase: 1 Phase

Model: _____
 Volts (V): _____
 Hertz (Hz): 60 Hz

Door Type: Rolling Vinyl Door
 Door Shaft Height: _____ H
 Door Keyway Size: _____ IN
 Barrel Diameter (Naked): _____ Ø
 Barrel Diameter (Door Open): _____ Ø
 Barrel Diameter (Door Closed): _____ Ø

Door Width/Height: _____ W x _____ H
 Drive Sprocket: _____
 Hand Chain: _____
 Avg. Door Speed Req.: _____ IN/SEC
 Weight of Bottom Bar: _____ LBS

Qty 3-PB Station(s)/Operator: _____
 (One 3-PB station – Nema 1 type - supplied/operator unless otherwise noted)

3-Push Button Station Rating: _____

Motor Circuit Type: Electronic / Monitoring of Primary Entrapment Protection Device

