



MGHX

Jackshaft Operator

Architectural Shop Drawing Heavy-Duty Industrial Gear Head
Nema 7/9 - Hazardous Location Protection

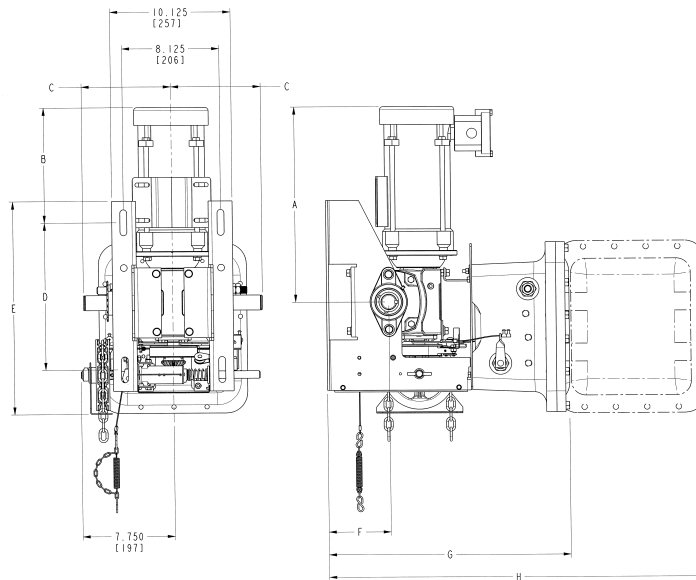
Project Details

Date: _____
 Drawing No.: _____
 Architect/Engineer: _____
 Customer: _____

Page: _____ of _____
 Project No.: _____
 Project Name: _____
 Contractor: _____

Dimensions and Ratings

Motor Amperage Rating – Nema 7/9						
HP	Voltage - Phase					
	120V - 1PH	240V - 1PH	208/240V - 3PH	480V - 3PH	600V - 3PH	
1/2	9,0	4,5	2,2	1,1	-	
3/4	11,2	5,6	3,2	1,5	1,2	
1	13,6	6,8	3,7	1,7	1,4	
1,5	19,6	9,8	5,3	2,5	2,0	
2	-	-	6,5	3,1	2,5	
3	-	-	8,5	4,1	3,3	



	UP TO 1.5 HP	2 TO 5 HP
A	19.688 MAX. [500]	21.125 MAX. [537]
B	13.000 MAX. [330]	15.000 MAX. [381]
C	7.500 [191]	8.000 [203]
D	12.375 [314]	12.625 [321]
E	18.000 [457]	17.875 [454]
F	5.250 [133]	5.875 [149]
G	20.250 [514]	21.625 [549]
H	31.750 [806]	33.125 [841]

Ordering Specifications

Quantity: _____
 Horsepower: _____
 Phase: _____

Model: _____
 Volts: _____
 Hertz: _____

Door Type: _____
 Door Shaft Height: _____ H
 Amount of High Lift: _____ H
 Drum Type/Size: _____
 Barrel Diameter: _____ Ø

Door Width/Height: _____ W x _____ H
 Drive Sprocket: _____
 Drive Sprocket & Chain: _____
 Hand Chain: _____
 Friction Clutch: _____

3-Push Button Station Rating: Hazardous Location

Qty 3-PB Station(s)/Operator: _____

Control Circuit Type: Electromechanical Hardwired

(One 3-PB station supplied/operator unless otherwise noted)

Photo Cell: _____



MGHX

Jackshaft Operator

Architectural Shop Drawing Heavy-Duty Industrial Gear Head
Nema 7/9 - Hazardous Location Protection

Additional Equipment & Options

Refer to the operator's Specification Sheet and/or Wiring Diagram for General Information