



**Project Details**

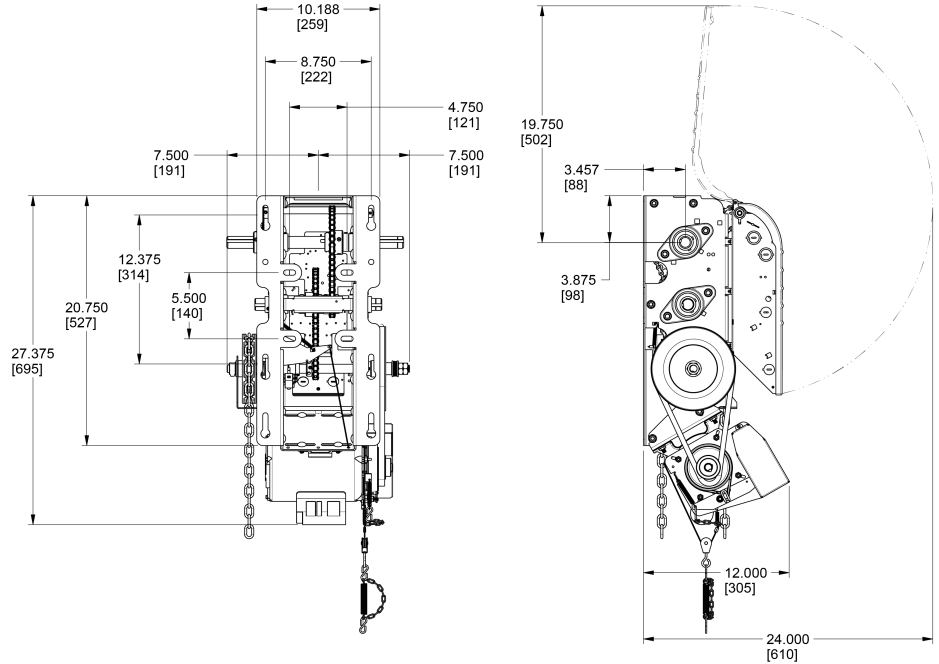
Date: \_\_\_\_\_  
 Drawing No.: \_\_\_\_\_  
 Architect/Engineer: \_\_\_\_\_  
 Customer: \_\_\_\_\_

Page: \_\_\_\_\_ of \_\_\_\_\_  
 Project No.: \_\_\_\_\_  
 Project Name: \_\_\_\_\_  
 Contractor: \_\_\_\_\_

**Dimensions & Ratings**

Motor Amperage Rating						
HP	Voltage - Phase					
	115V - 1PH	230V - 1PH	208/230V - 3PH	460V - 3PH	575V - 3PH	
1/2	8,0	4,0	2,1	1,0	0,8	
3/4	11,2	5,6	3,2	1,5	1,2	
1	13,6	6,8	4,4	2,1	1,6	

Reg. T.M. 9141-0720 Québec Inc.



**Ordering Specifications**

Quantity: \_\_\_\_\_  
 Horsepower: \_\_\_\_\_  
 Phase: \_\_\_\_\_

Model: \_\_\_\_\_  
 Volts: \_\_\_\_\_  
 Hertz: \_\_\_\_\_

Door Type: \_\_\_\_\_  
 Door Shaft Height: \_\_\_\_\_ H  
 Amount of High Lift: \_\_\_\_\_ H  
 Drum Type/Size: \_\_\_\_\_  
 Barrel Diameter: \_\_\_\_\_ Ø

Door Width/Height: \_\_\_\_\_ W x \_\_\_\_\_ H  
 Drive Sprocket: \_\_\_\_\_  
 Hand Chain (location): \_\_\_\_\_

Operator Nema Rating: \_\_\_\_\_  
 3-Push Button Station Rating: \_\_\_\_\_

Qty 3-PB Station(s)/Operator: \_\_\_\_\_  
 (One 3-PB station supplied/operator unless otherwise noted)

Motor Circuit Type: \_\_\_\_\_

Photo Cell Upgrade: \_\_\_\_\_  
 (Nema-1 rating supplied unless otherwise noted)

**Additional Equipment & Options**

\_\_\_\_\_  
 \_\_\_\_\_  
 \_\_\_\_\_

*Refer to the operator's Specification Sheet and/or Wiring Diagram for General Information*