



RSHW/C

Jackshaft Operator

Architectural Shop Drawing

High-Speed Sectional Doors

Nema 4/12 - Damp Environment / Oil Tight / Dust Tight

Nema 4X - Corrosive Environment

Project Details

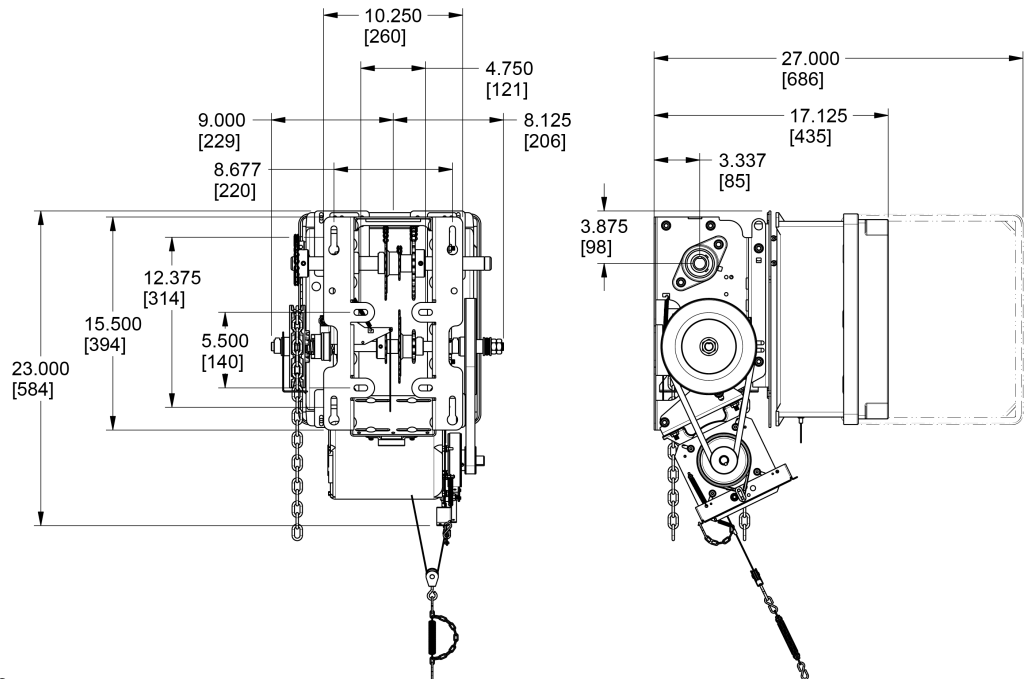
Date: _____
 Drawing No.: _____
 Architect/Engineer: _____
 Customer: _____

Page: _____ of _____
 Project No.: _____
 Project Name: _____
 Contractor: _____

Dimensions & Ratings

Motor Amperage Rating			
HP	Voltage - Phase		
	120V - 1PH	208V - 1PH	240V - 1PH
1	16,7	8,3	8,0

Reg. T.M. 9141-0720 Québec Inc.



Ordering Specification

Quantity: _____
 Horsepower (HP): 1 HP
 Phase: 1 Phase

Model: _____
 Volts: _____
 Hertz: 60 Hz

Door Type: _____
 Door Shaft Height: _____ H
 Amount of High Lift: _____ H
 Drum Type/Size: _____
 Barrel Diameter: _____ Ø

Door Width/Height: _____ W x _____ H
 Drive Sprocket: _____
 Hand Chain: _____

Qty 3-PB Station(s)/Operator: _____
 (One 3-PB station supplied/operator unless otherwise noted)

3-Push Button Station Rating: _____

Motor Circuit Type: Electronic / Monitoring of Primary Entrapment Protection Device

