



# Allegro Heavy-Duty Industrial Gear Head

Architectural Shop Drawing

High Performance

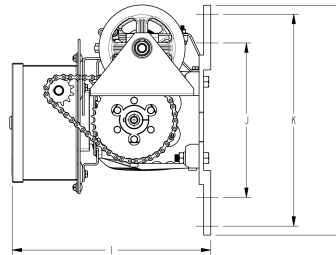
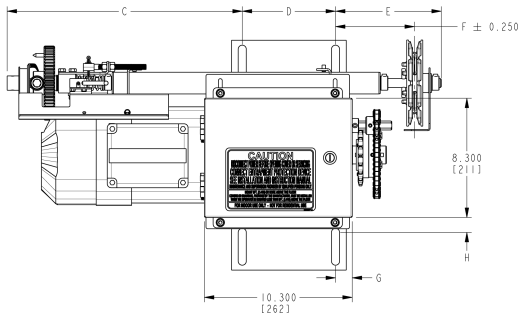
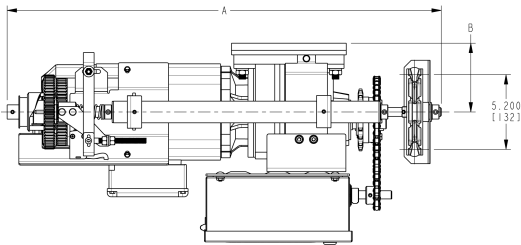
Nema 4/12 - Damp Environment Protection

## Project Details

Date: \_\_\_\_\_  
 Drawing No.: \_\_\_\_\_  
 Architect/Engineer: \_\_\_\_\_  
 Customer: \_\_\_\_\_

Page: \_\_\_\_\_ of \_\_\_\_\_  
 Project No.: \_\_\_\_\_  
 Project Name: \_\_\_\_\_  
 Contractor: \_\_\_\_\_

## Dimensions & Ratings



	R37	R47	R57	R67
A	29.125 [740]	30.250 [769]	31.125 [791]	32.000 [813]
B	3.875 [98]	4.750 [121]	4.875 [124]	5.125 [130]
C	16.125 [410]	16.375 [416]	16.875 [429]	16.375 [416]
D	6.500 [165]	6.500 [165]	6.500 [165]	8.125 [206]
E	6.500 [165]	7.375 [187]	7.750 [197]	7.500 [191]
F	4.875 [124]	5.500 [140]	5.875 [149]	7.500 [191]
G	0.875 [22]	1.125 [29]	1.500 [38]	1.000 [25]
H	0.625 [16]	1.125 [29]	-0.250 [-6]	0.500 [13]
I	13.125 [333]	14.000 [356]	14.000 [356]	15.625 [397]
J	10.750 [273]	10.750 [273]	10.750 [273]	12.250 [311]
K	14.750 [375]	14.750 [375]	14.750 [375]	16.250 [413]
L	16.000 [406]	16.000 [406]	16.000 [406]	17.500 [444]

## Ordering Specifications

Quantity: \_\_\_\_\_  
 Horsepower: \_\_\_\_\_  
 Phase: \_\_\_\_\_

Model: \_\_\_\_\_  
 Volts: \_\_\_\_\_  
 Hertz: \_\_\_\_\_

Door Type: \_\_\_\_\_  
 Door Shaft Height: \_\_\_\_\_ H  
 Door Shaft Diameter/Keyway: \_\_\_\_\_ Ø \_\_\_\_\_  
 Amount of High Lift: \_\_\_\_\_ H

Door Width/Height: \_\_\_\_\_ W x \_\_\_\_\_ H  
 Door Speed: \_\_\_\_\_  
 Hand Chain (location): \_\_\_\_\_  
 Drum Type/Size: \_\_\_\_\_  
 Barrel Diameter: \_\_\_\_\_ Ø

Operator Nema Rating: \_\_\_\_\_  
 Control Circuit Type: \_\_\_\_\_

Add-Ons:  
 Qty 3-PB Station(s)/Operator: \_\_\_\_\_  
 3-Push Button Station Rating: \_\_\_\_\_  
 Photo Cells: \_\_\_\_\_

