



Project Details

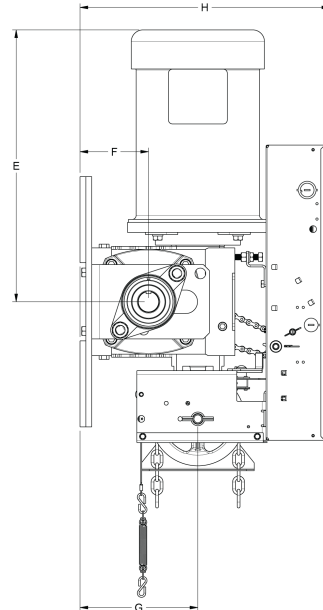
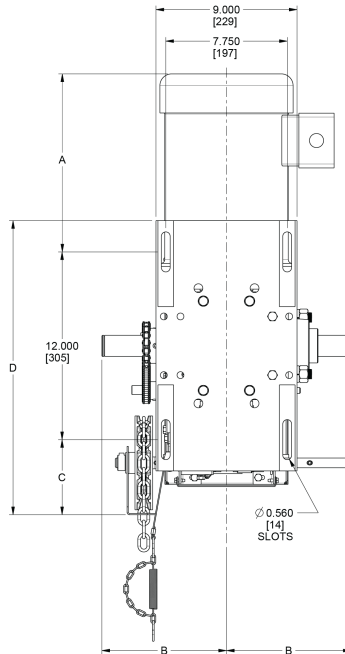
Date: _____
 Drawing No.: _____
 Architect/Engineer: _____
 Customer: _____

Page: _____ of _____
 Project No.: _____
 Project Name: _____
 Contractor: _____

Dimensions & Ratings

Motor Amperage Rating					
HP	Voltage - Phase				
	115V - 1PH	230V - 1PH	208V - 3PH	480V - 3PH	600V - 3PH
2	-	-	6,5	3,1	2,5
3	-	-	8,5	4,1	3,3
5	-	-	12,4	6,2	4,9
Brake Motor Upgrade					
2	-	-	5,6	2,8	2,2
3	-	-	7,6	3,8	3,0
5	-	-	12,4	6,2	4,9

Reg. T.M. 9141-0720 Québec Inc.



	STANDARD MOTOR UP TO 3 HP	STANDARD MOTOR 5 HP
A	12 750 MAX. [324]	13 250 MAX. [337]
B	8 000 [203]	8 375 [213]
C	4 875 [124]	5 875 [149]
D	18 875 [479]	19 875 [505]
E	18 750 MAX. [476]	19 250 MAX. [489]
F	4 375 [111]	5 875 [149]
G	7 500 [191]	9 875 [251]
H	16 000 [406]	19 125 [486]

	BRAKE MOTOR UP TO 3 HP	BRAKE MOTOR 5 HP
A	15 125 MAX. [384]	16 125 MAX. [410]
B	8 000 [203]	8 375 [213]
C	4 875 [124]	5 875 [149]
D	18 875 [479]	19 875 [505]
E	21 125 MAX. [537]	22 125 MAX. [562]
F	4 375 [111]	5 875 [149]
G	7 500 [191]	9 875 [251]
H	16 000 [406]	19 125 [486]

Ordering Specifications

Quantity: _____
 Horsepower: _____
 Phase: _____

Door Type: _____
 Door Shaft Height: _____ H
 Amount of High Lift: _____ H
 Drum Type/Size: _____
 Barrel Diameter: _____ Ø
 Brake Motor Upgrade: _____

Operator Nema Rating: _____
 3-Push Button Station Rating: _____

Motor Circuit Type: _____

Model: _____
 Volts: _____
 Hertz: _____

Door Width/Height: _____ W x _____ H
 Drive Sprocket: _____
 Drive Sprocket & Chain: _____
 Hand Chain (location): _____
 Friction Clutch (location): _____

Qty 3-PB Station(s)/Operator: _____
 (One 3-PB station supplied/operator unless otherwise noted)

Photo Cell Upgrade: _____
 (Nema-1 rating supplied unless otherwise noted)

