



# OTBHW/C

# Trolley Operator

Architectural Shop Drawing

Heavy-Duty Industrial

Nema 4/12 - Damp Environment / Oil Tight / Dust Tight

Nema 4X - Corrosive Environment

## Project Details

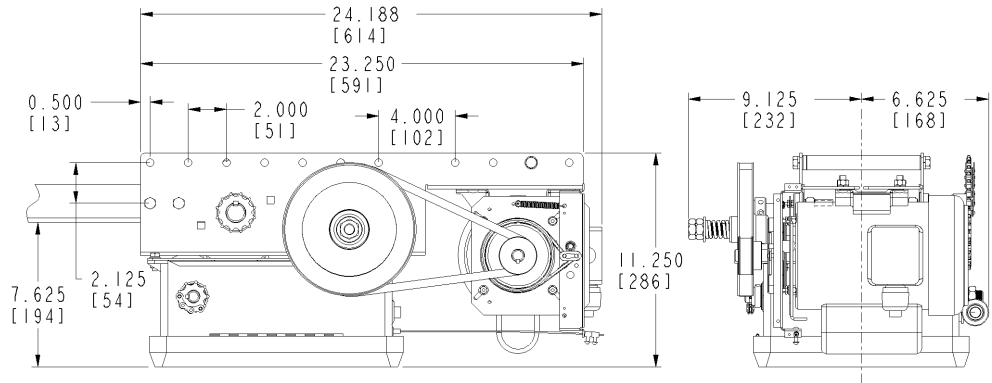
Date: \_\_\_\_\_  
 Drawing No.: \_\_\_\_\_  
 Architect/Engineer: \_\_\_\_\_  
 Customer: \_\_\_\_\_

Page: \_\_\_\_\_ of \_\_\_\_\_  
 Project No.: \_\_\_\_\_  
 Project Name: \_\_\_\_\_  
 Contractor: \_\_\_\_\_

## Dimensions and Ratings

| Motor Amperage Rating – Nema 4/12 |                 |            |                |            |            |  |
|-----------------------------------|-----------------|------------|----------------|------------|------------|--|
| HP                                | Voltage - Phase |            |                |            |            |  |
|                                   | 120V - 1PH      | 240V - 1PH | 208/240V - 3PH | 480V - 3PH | 600V - 3PH |  |
| ½                                 | 6,6             | 3,3        | 2,2            | 1,1        | 0,9        |  |
| ¾                                 | 11,0            | 5,5        | 2,8            | 1,4        | 1,1        |  |
| 1                                 | 13,4            | 6,7        | 3,6            | 1,8        | 1,5        |  |

| Motor Amperage Rating – Nema 4X |                 |            |                |            |            |  |
|---------------------------------|-----------------|------------|----------------|------------|------------|--|
| HP                              | Voltage - Phase |            |                |            |            |  |
|                                 | 120V - 1PH      | 240V - 1PH | 208/240V - 3PH | 480V - 3PH | 600V - 3PH |  |
| ½                               | 8,0             | 4,0        | 1,6            | 0,8        | 0,6        |  |
| ¾                               | 11,0            | 5,5        | 2,2            | 1,1        | 0,9        |  |
| 1                               | 12,8            | 6,4        | 3,2            | 1,6        | 1,3        |  |



Reg. T.M. 9141-0720 Québec Inc.

## Ordering Specifications

Quantity: \_\_\_\_\_  
 Horsepower: \_\_\_\_\_  
 Phase: \_\_\_\_\_

Model: \_\_\_\_\_  
 Volts: \_\_\_\_\_  
 Hertz: \_\_\_\_\_

Door Type: \_\_\_\_\_  
 Door Shaft Height: \_\_\_\_\_ H

Door Width/Height: \_\_\_\_\_ W x \_\_\_\_\_ H

Operator Nema Rating: \_\_\_\_\_  
 3-Push Button Station Rating: \_\_\_\_\_

Qty 3-PB Station(s)/Operator: \_\_\_\_\_  
 (One 3-PB station supplied/operator unless otherwise noted)

Motor Circuit Type: \_\_\_\_\_

Photo Cell Upgrade: \_\_\_\_\_  
 (Nema-1 rating supplied unless otherwise noted)



# OTBHW/C

# Trolley Operator

Architectural Shop Drawing

Heavy-Duty Industrial

Nema 4/12 - Damp Environment / Oil Tight / Dust Tight

Nema 4X - Corrosive Environment

---

### Additional Equipment & Options

---

---

---

---

---

---

---

---

---

---

---

---

---

---

---

---

---

---

---

---

---

---

---

---

---

*Refer to the operator's Specification Sheet and/or Wiring Diagram for General Information*