



OTHW/C

Trolley Operator

Architectural Shop Drawing

Heavy-Duty Industrial

Nema 4/12 - Damp Environment / Oil Tight / Dust Tight

Nema 4X - Corrosive Environment

Project Details

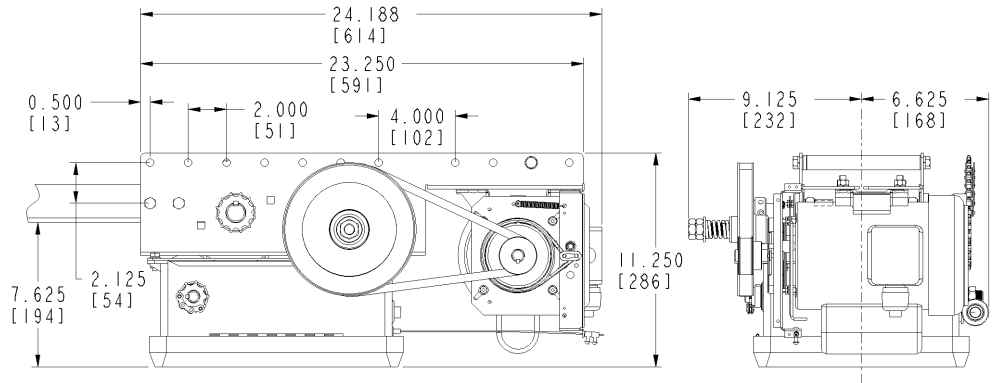
Date: _____
 Drawing No.: _____
 Architect/Engineer: _____
 Customer: _____

Page: _____ of _____
 Project No.: _____
 Project Name: _____
 Contractor: _____

Dimensions and Ratings

| Motor Amperage Rating – Nema 4/12 | | | | | | |
|-----------------------------------|-----------------|------------|----------------|------------|------------|--|
| HP | Voltage - Phase | | | | | |
| | 120V - 1PH | 240V - 1PH | 208/240V - 3PH | 480V - 3PH | 600V - 3PH | |
| ½ | 6,6 | 3,3 | 2,2 | 1,1 | 0,9 | |
| ¾ | 11,0 | 5,5 | 2,8 | 1,4 | 1,1 | |
| 1 | 13,4 | 6,7 | 3,6 | 1,8 | 1,5 | |

| Motor Amperage Rating – Nema 4X | | | | | | |
|---------------------------------|-----------------|------------|----------------|------------|------------|--|
| HP | Voltage - Phase | | | | | |
| | 120V - 1PH | 240V - 1PH | 208/240V - 3PH | 480V - 3PH | 600V - 3PH | |
| ½ | 8,0 | 4,0 | 1,6 | 0,8 | 0,6 | |
| ¾ | 11,0 | 5,5 | 2,2 | 1,1 | 0,9 | |
| 1 | 12,8 | 6,4 | 3,2 | 1,6 | 1,3 | |



Reg. T.M. 9141-0720 Québec Inc.

Ordering Specifications

Quantity: _____
 Horsepower: _____
 Phase: _____

Model: _____
 Volts: _____
 Hertz: _____

Door Type: _____
 Door Shaft Height: _____ H

Door Width/Height: _____ W x _____ H

Operator Nema Rating: _____
 3-Push Button Station Rating: _____

Qty 3-PB Station(s)/Operator: _____
 (One 3-PB station supplied/operator unless otherwise noted)

Motor Circuit Type: _____

Photo Cell Upgrade: _____
 (Nema-1 rating supplied unless otherwise noted)

