



# MRGHW/C

Nema 4/12 - Damp Environment / Oil Tight / Dust Tight  
Nema 4X - Corrosive Environment

## Architectural Shop Drawing

### Project Details

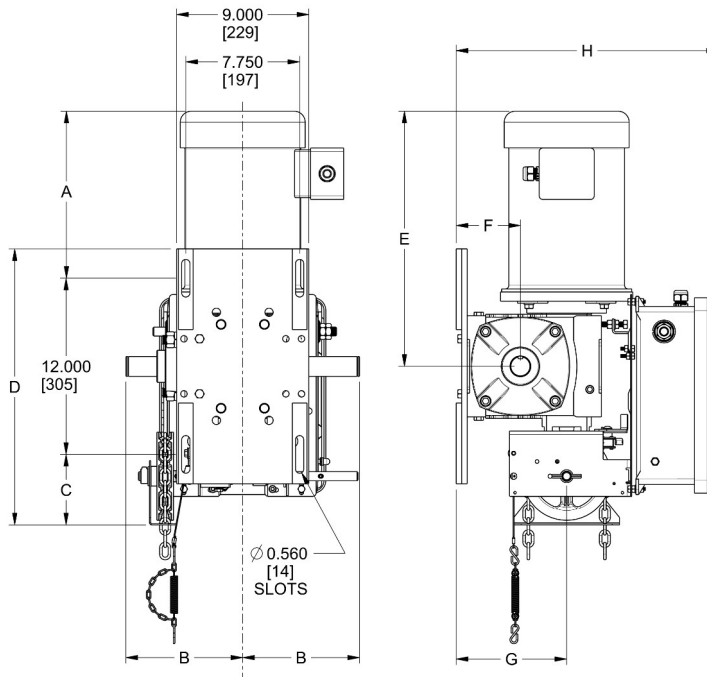
Date: \_\_\_\_\_  
 Drawing No.: \_\_\_\_\_  
 Architect/Engineer: \_\_\_\_\_  
 Customer: \_\_\_\_\_

Page: \_\_\_\_\_ of \_\_\_\_\_  
 Project No.: \_\_\_\_\_  
 Project Name: \_\_\_\_\_  
 Contractor: \_\_\_\_\_

### Dimensions and Rating:

Motor Amperage Rating – Nema 4/12					
HP	Voltage - Phase				
	120V - 1PH	240V - 1PH	208/240V - 3PH	480V - 3PH	600V - 3PH
1/2	6,6	3,3	2,1	1,1	0,9
3/4	11,0	2,7	2,8	1,4	1,1
1	13,4	6,7	3,2	1,6	1,3
1,5	18,0	9,0	4,8	2,4	2,0
2			6,0	2,9	2,3
3			8,5	4,1	3,4
5			15,0	6,6	5,2

Motor Amperage Rating – Nema 4X					
HP	Voltage - Phase				
	120V - 1PH	240V - 1PH	208/240V - 3PH	480V - 3PH	600V - 3PH
1/2	8,0	4,0	2,1	0,8	0,6
3/4	11,0	5,5	2,7	1,1	0,9
1	12,8	6,4	3,5	1,6	1,3
1,5	18,0	9,0	4,6	2,1	1,7
2			6,5	3,1	2,2
3			8,5	4,1	3,3
5			15,4	7,1	5,7



STANDARD MOTOR UP TO 3 HP	
A	12.750 MAX. [324]
B	8.000 [203]
C	4.875 [124]
D	18.875 [479]
E	18.750 MAX. [476]
F	4.375 [111]
G	7.500 [191]
H	18.875 [479]

	BRAKE MOTOR UP TO 3 HP	BRAKE MOTOR 5 HP
A	15.125 MAX. [384]	16.125 MAX. [410]
B	8.000 [203]	8.375 [213]
C	4.875 [124]	5.875 [149]
D	18.875 [479]	19.875 [505]
E	21.125 MAX. [537]	22.125 MAX. [562]
F	4.375 [111]	9.875 [251]
G	7.500 [191]	19.125 [486]
H	18.875 [479]	22.000 [559]

Reg. T.M. 9141-0720 Québec Inc.

